

Specifications:

规格:

Voltage rating:600V AC/DC

额定电压: 600V AC/DC

Current rating:20A AC/DC

额定电流: 20A AC/DC

Withstanding voltage:1500V AC/minute

耐受电压: 1500V AC/分钟

Temperature range:-40°C-+125°C

温度范围: -40°C-+125°C

Insulation resistance:1000MΩ min

绝缘电阻: 1000MΩ Min

Contact resistance:20mΩ Max

接触电阻: 20mΩ Max

K 838100 H F-XX - N2
 ① ② ③ ④ ⑤ ⑥

1.K: XKBTEK-Car Connector

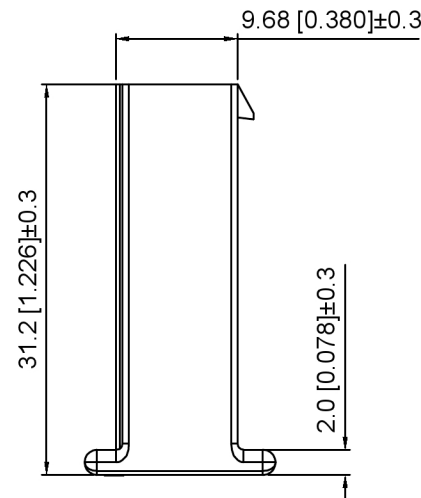
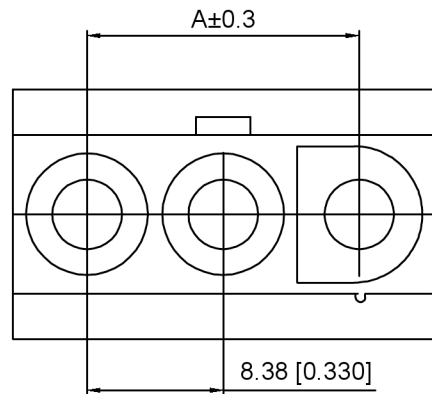
2.XKB Series No

3.Category:H-Housing

4.Special No:F-Female Housing

5.Row No.Pin No:XX-01~04 Pin

6.Material:N2-PA66 UL94V-2



Poles	Dimensions(mm)	
	A	B
01	/	9.30
02	8.38	17.68
03	16.76	26.06
04	25.14	34.44

K838100HF-XX-N2	PA66	K838100HM	K838100TM
PART NO	Material	Suitable XKB Housing	Suitable XKB Terminal

DSND	SCALE: N/A	MODEL TYPE: 8.38mm Automobile connector
DWN	VIEW:	PART NO.: K838100HF-XX-N2
CHKD	UNIT: mm/in	DWG NO.: X-K838100HF-XX-N2
APPD	SIZE: A4	WEIGHT SHEET REVISION 1/1 A0



XKB INDUSTRIAL PRECISION CO.,LIMITED

ANGLAR	±5°
L ≤ 4	±0.2
4 < L ≤ 16	±0.3
16 < L ≤ 63	±0.4
L > 63	±0.5
UNSPECIFIED TOLERANCES	

ΔX					
ΔX					
ΔX					
MARK	DESCRIPTION	DATE	REVISED	APPROVED	
REVISIONS					