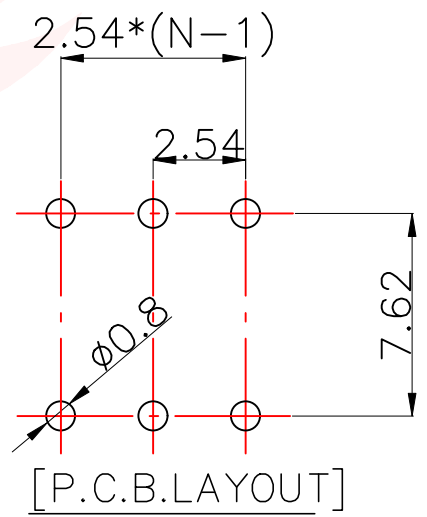
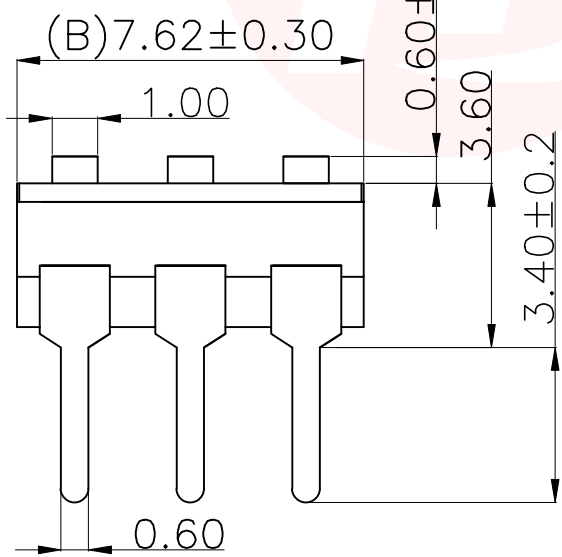
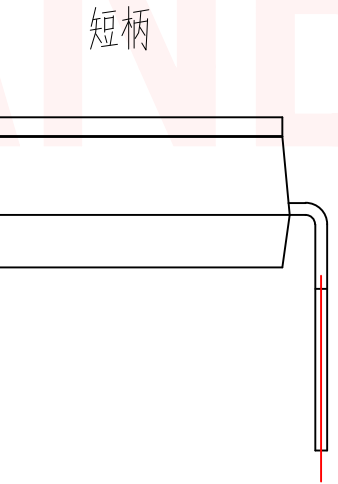
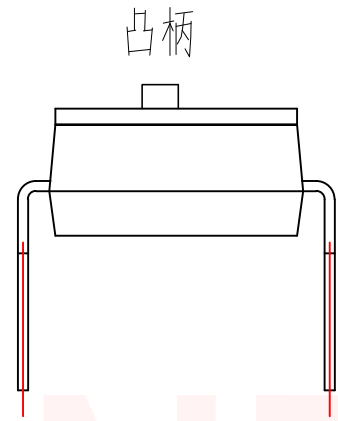
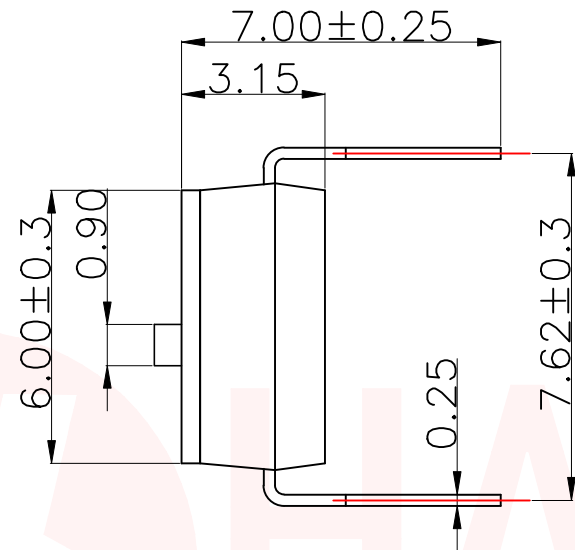
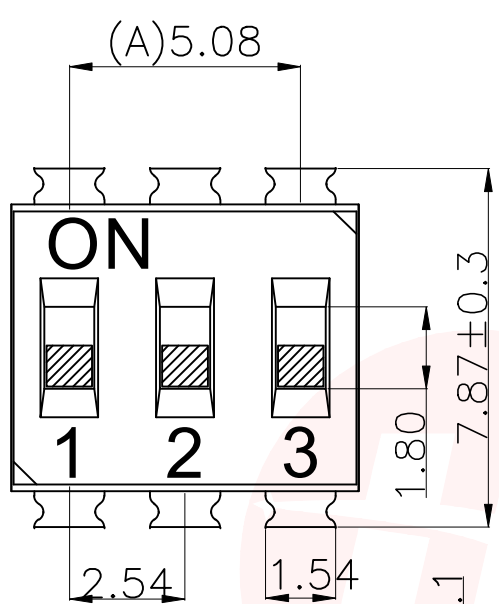




REV.	ECN NO OR DESCRIPTION	REVISED	DATE



**NOTES:**

**1.Specification:**

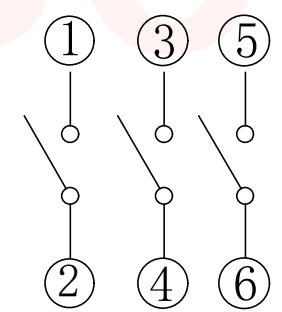
- 1>.Operation force: 1000gf Max.
- 2>.Operation Temperature: -30°Cto+85°C.
- 3>.Storage Temperature: -40°Cto+85°C.
- 4>.Mechanical Life: 3000 cycles operations.
- 5>.Resistance to Soldering: 260±5°C for 3-5 Seconds.

**2.PLATING:**

- 1>.GOLD flash 1u" (min) SOLDERTAIL, 3u" GOLD PLATING ON THE CONTACT AREA.

**3.ELECTRICAL:**

- 1>.Non-switch Rating:100mA at 50V DC.
- 2>.Switching Rating: 25mA at 24V DC.
- 3>.Contact Resistance: Inital 50mΩ Max. Contact Resistance: After life 100mΩ Max.
- 4>.Insulation Resistance:1000MΩ Min at500VDC.
- 5>.Dielectric Strength: 500V AC for 60seconds.
- 6>.Switch Capacitance: 5PF Max at 1MHZ.



[Schematic]

PART NO.	凸柄 (T)	DP-01PT	DP-02PT	DP-03PT	DP-04PT	DP-05PT	DP-06PT	DP-07PT	DP-08PT	DP-010PT
盖子/黑色	短柄 (D)	DP-01PD	DP-02PD	DP-03PD	DP-04PD	DP-05PD	DP-06PD	DP-07PD	DP-08PD	DP-010PD

UNLESS OTHERWISE SPECIFIED TOLERANCES

DECIMALS:	ANGLES:	东莞市汉博电子科技有限公司 DONGGUAN HANBO TECHNOLOGY CO., LTD		
X :±0.30	X :±2°	TITLE	DSIC product series with a spacing of 2.54mm	
X.X :±0.20	X.X :±1°	DWN	xiong	PART NO. DP-03PT
X.XX :±0.10		CHKD	lee	SCALE:1:1 UNIT: mm
		APVD	wang	SIZE: A4 SHEET:10F 1 REV: A4
				CUSTOMER COPY