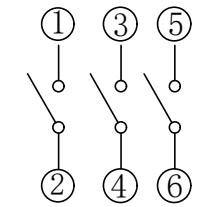
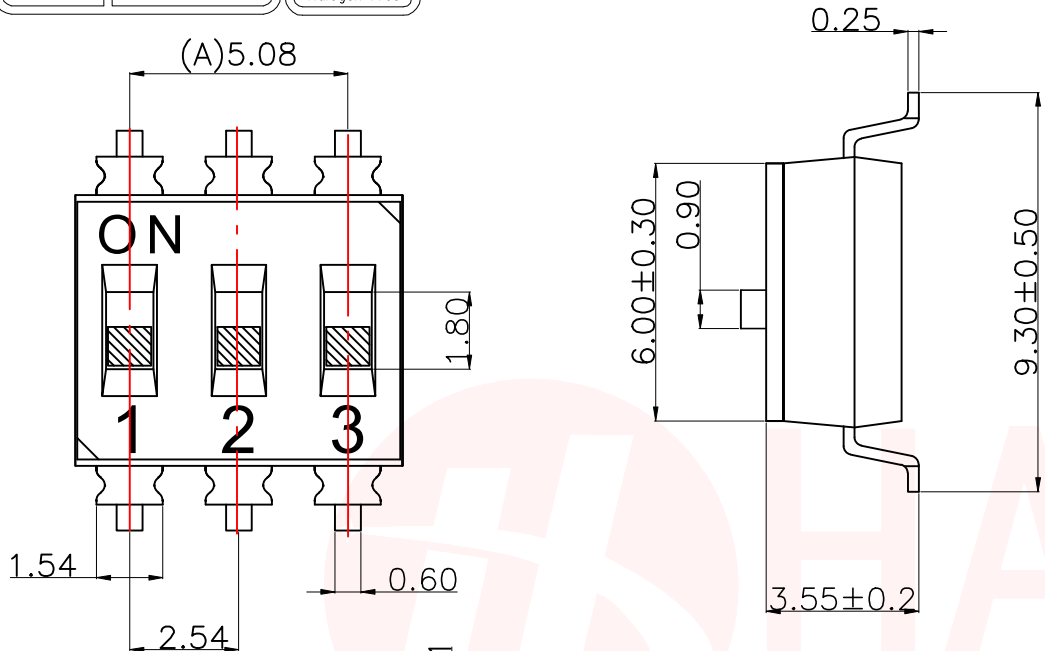




REV.	ECN NO OR DESCRIPTION	REVISED	DATE



[Schematic]

**NOTES:**

**1.Specification:**

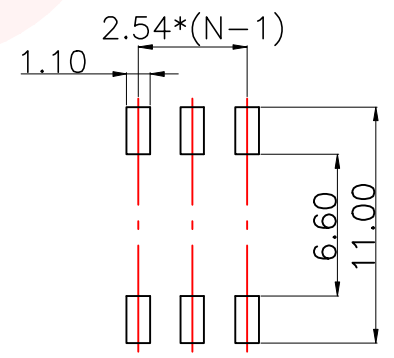
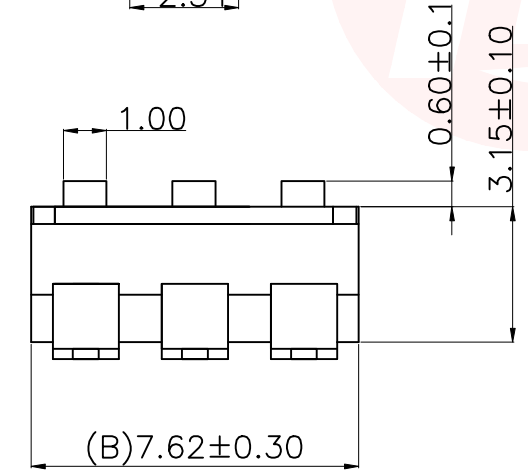
- 1>.Operation force: 1000gf Max.
- 2>.Operation Temperature: to ~~30~~85°C.
- 3>.Storage Temperature: to ~~40~~85°C.
- 4>.Mechanical Life: 3000 cycles operations.
- 5>.Resistance to Soldering: 260±5°C for 3-5 Seconds.

**2.PLATING:**

- 1>.GOLD flash 1u" (min) SOLDER TAIL, 3u" GOLD PLATING ON THE CONTACT AREA.

**3.ELECTRICAL:**

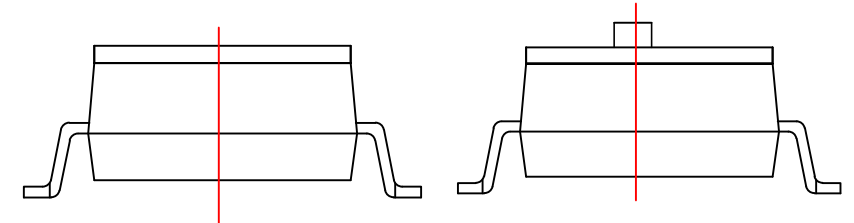
- 1>.Non-switch Rating:100mA at 50V DC.
- 2>.Switching Rating: 25mA at 24V DC.
- 3>.Contact Resistance: Inital 50mΩ Max.  
Contact Resistance: After life 100mΩ Max.
- 4>.Insulation Resistance:1000MΩ Min at 500VDC.
- 5>.Dielectric Strength: 500V AC for 60seconds.
- 6>.Switch Capacitance: 5PF Max at 1MHZ.



[P.C.B.LAYOUT]

短柄

凸柄



PART NO.	凸柄 (T)	DO-01PT	DO-02PT	DO-03PT	DO-04PT	DO-05PT	DO-06PT	DO-07PT	DO-08PT	DO-010PT
盖子/黑色	短柄 (D)	DO-01PD	DO-02PD	DO-03PD	DO-04PD	DO-05PD	DO-06PD	DO-07PD	DO-08PD	DO-010PD

UNLESS OTHERWISE SPECIFIED TOLERANCES		东莞市汉博电子科技有限公司 DONGGUAN HANBO TECHNOLOGY CO., LTD			
DECIMALS:	ANGLES:	TITLE 2.54mm spacing patch DSIC series			
X :±0.30	X :±2°	DWN	xiong	PART NO. DO-03PT	
X.X :±0.20	X.X :±1°	CHKD	lee	SCALE:1:1	UNIT: mm
X.XX :±0.10		APVD	wang	SIZE: A4	SHEET:10F 1
CUSTOMER COPY					

A  
B  
C  
D

A  
B  
C  
D