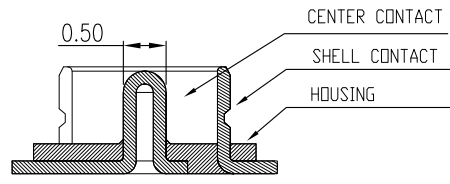
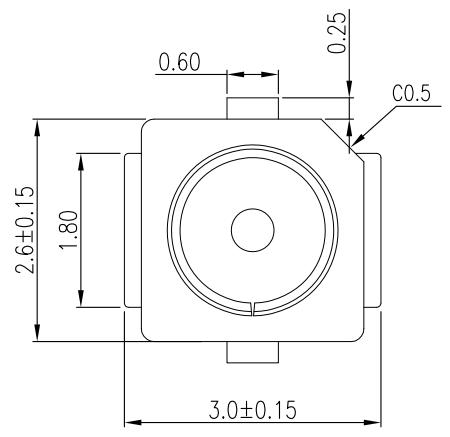
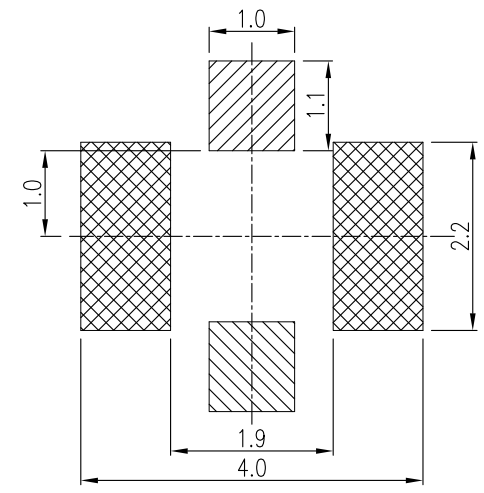
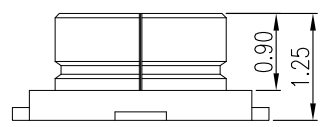
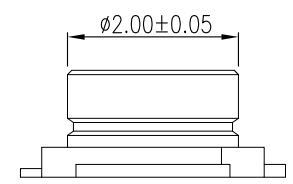


RoHS

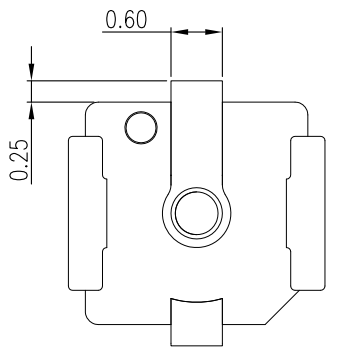
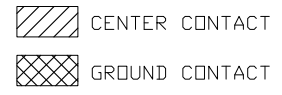
| | | | | | |
|------|---------|-------------|--------|----------|------------|
| REV. | ECN NO. | DESCRIPTION | DESIGN | APPROVAL | DATE |
| A1 | NEW | 更换图框 | | | 2023.09.05 |



Electrical
 Rated Voltage:60V AC
 Current:0.5A
 Contact Resistance:20m . Max
 Dielectric Withstanding Voltage:500V
 Insulation Resistance:1000m . Min
 VSWR:
 DC to 3GHz:1.3 max
 3GHz to 6GHz:1.4 max
 Physical
 Housing :LCP,UL94V-0
 Contact:Copper Alloy
 Metal:Copper Alloy
 Plating:Au or Ag
 Operating Temperature:-20/ +85
 Durability:30cycles
 Solder joint peel strength:10N.min
 Reference Information
 Packaging:Reel
 Quantity:5000Pcs/Reel



RECOMMENDED PCB LAYOUT
 <TOLERANCE:±0.05>



| | |
|------------|--------|
| X.±0.50 | X.°± |
| .X±0.25 | .X°± |
| .XX± 0.15 | .XX°± |
| .XXX± 0.10 | .XXX°± |
| UNITS: | mm |

THESE DRAWINGS AND SPECIFICATIONS ARE THE PROPERTY OF XFCN AND SHALL NOT BE REPRODUCED, COPIED OR CUED IN ANY MANNER WITHOUT THE PRIOR WRITTEN CONSENT OF XFCN

| | | | | | |
|-----------------|------------|-------------------|-------|-------|------|
| PART NO.: | RF2200001R | XFCN 兴飞连接器 | | | |
| TITLE: | 超小型同轴连接器 | 0769-82001899 | | | |
| | | www.xfconn.com | | | |
| APPD: | | DWG NO: / | | | |
| CHKD: | | | SCALE | SHEET | REV. |
| DRAW: Tong.Deng | 2023.09.11 | | NONE | 1/1 | A1 |

E
D
C
B
A

E
D
C
B
A