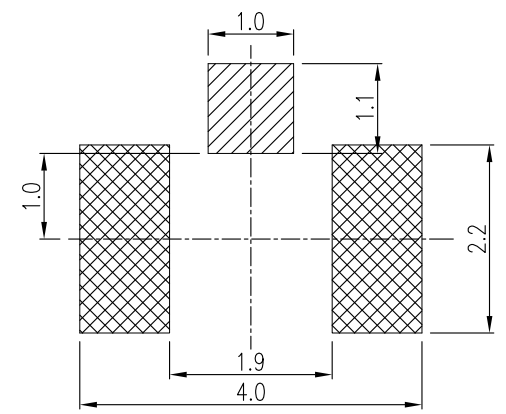
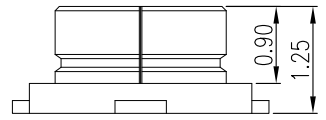
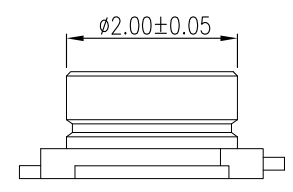
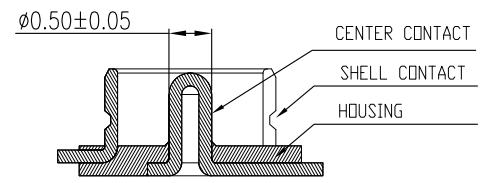
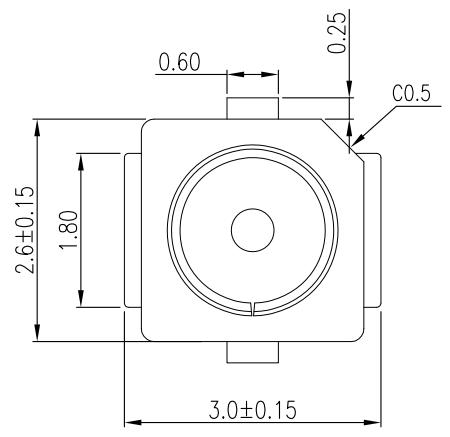


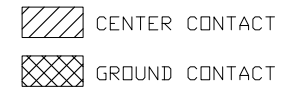
RoHS

REV.	ECN NO.	DESCRIPTION	DESIGN	APPROVAL	DATE
A1	NEW	更换图框			2023.09.05

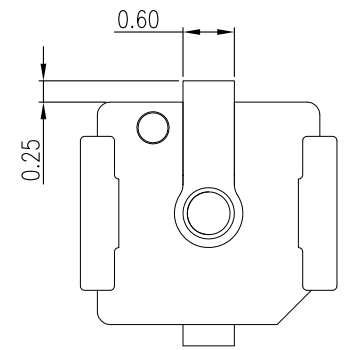


RECOMMENDED PCB LAYOUT

(TOLERANCE:±0.05)



Electrical
 Rated Voltage:60V AC
 Current:0.5A
 Contact Resistance:20m . Max
 Dielectric Withstanding Voltage:500V
 Insulation Resistance:1000m . Min
 VSWR:
 DC to 3GHz:1.3 max
 3GHz to 6GHz:1.4 max
 Physical
 Housing :LCP,UL94V-0
 Contact:Copper Alloy
 Metal:Copper Alloy
 Plating:Au or Ag
 Operating Temperature:-20/ +85
 Durability:30cycles
 Solder joint peel strength:10N.min
 Reference Information
 Packaging:Reel
 Quantity:5000Pcs/Reel



X.±0.50	X.°±
.X±0.25	.X°±
.XX± 0.15	.XX°±
.XXX± 0.10	.XXX°±
UNITS:	mm

THESE DRAWINGS AND SPECIFICATIONS ARE THE PROPERTY OF XFCN AND SHALL NOT BE REPRODUCED, COPIED OR CUED IN ANY MANNER WITHOUT THE PRIOR WRITTEN CONSENT OF XFCN

PART NO.:	RF1200001R
TITLE:	超小型同轴连接器
APPD:	
CHKD:	
DRAW:	Tong.Deng 2023.09.11

XFCN 兴飞连接器		
0769-82001899		
www.xfconn.com		
DWG NO: /		
SCALE	SHEET	REV.
NONE	1/1	A1

