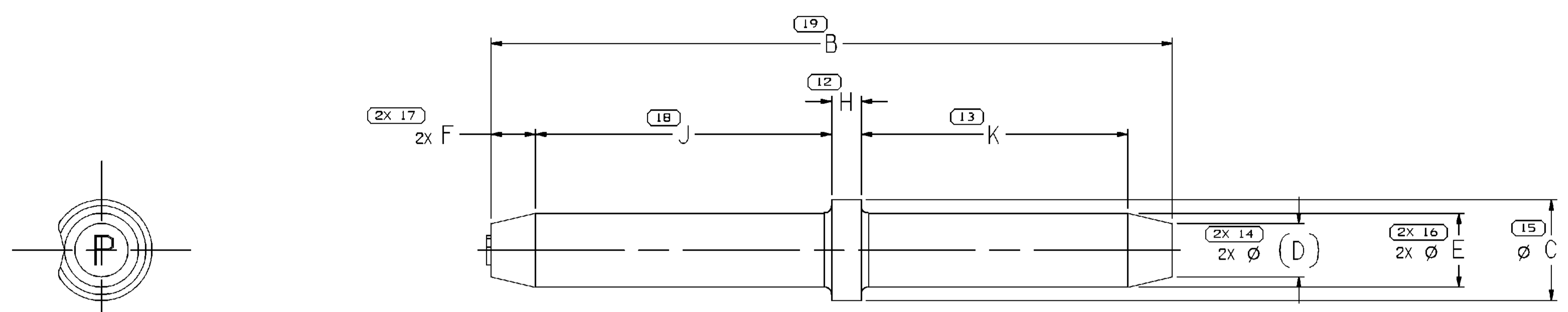
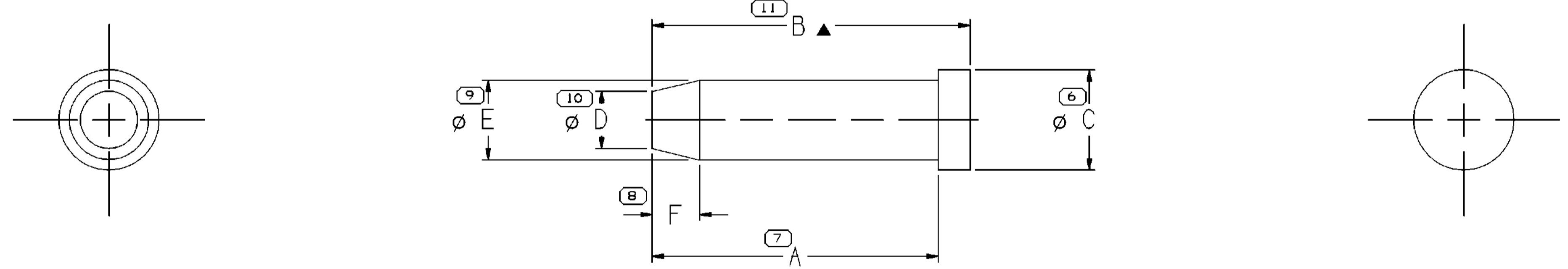
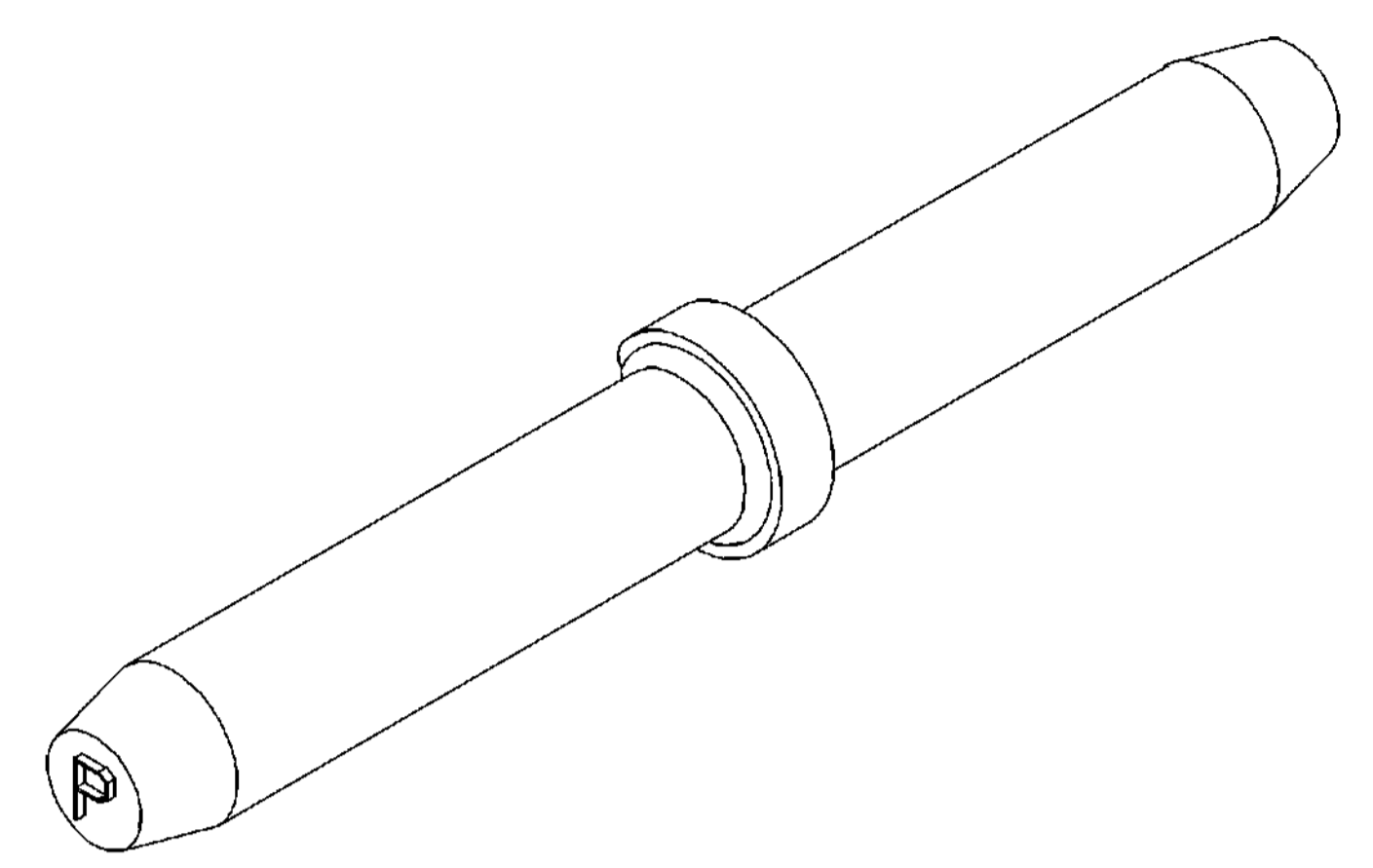


SYMBOL DEFINITION		MISSING SYMBOLS	
A DIMENSION WITHOUT AN INSPECTION REPORT SYMBOL DOES NOT REQUIRE INSPECTION. IT MAY BE CONTROLLED ON THE INDIVIDUAL COMPONENT DRAWING.	TOTAL NO OF INSPECTIONS REQUIRED	NO MISSING SYMBOL NUMBER	
	LAST NO. USED		
		22	19

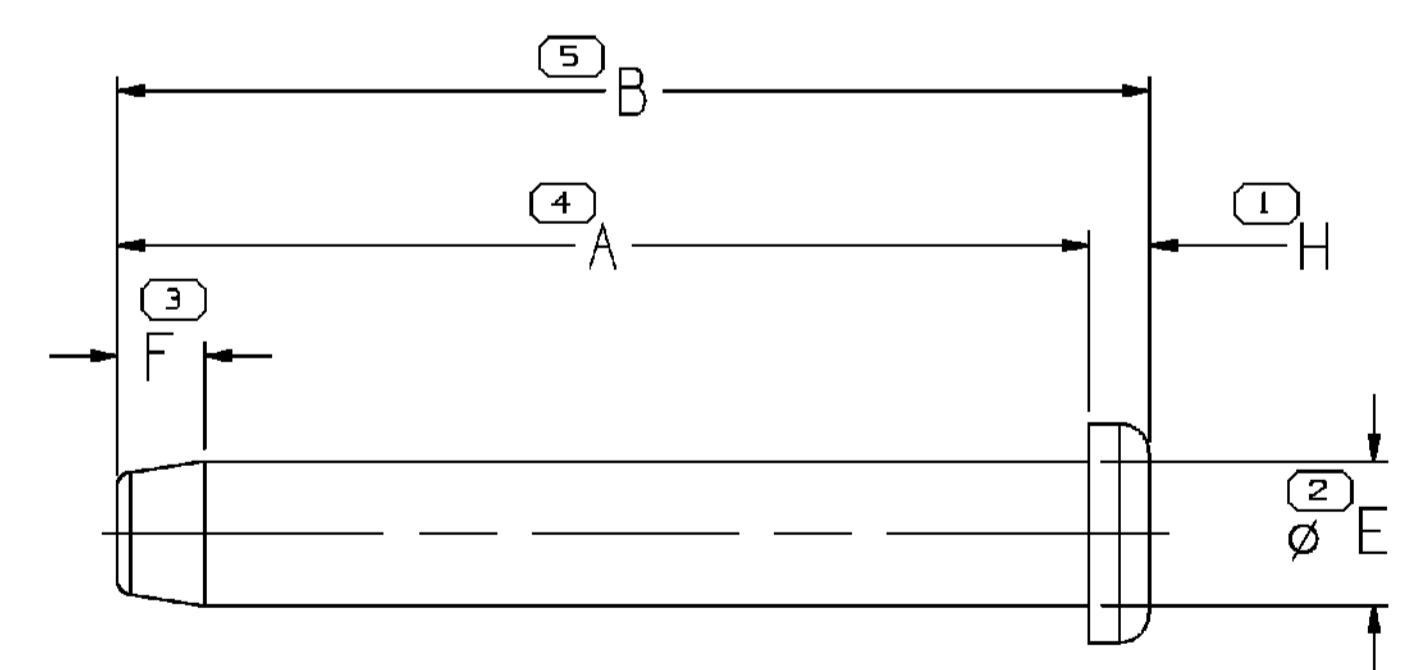
DWO STATUS		ZONE		REVISION HISTORY		AUTH		DR		APVD	
DATE	STG	REV	N/P	CHG							
20AUG03	R	01	-	-	CREATED PD	244667	JGR	JGR	BO		
15FEB05	R	02	-	-	ALL ACTIVE PARTS - ADDED NOTE #3 & DRAWING NAME	264188	NJM	NJM	ET		
20JUN05	R	03	-	-	ALL ACTIVE PARTS - UPDATED ECL	269035	RTV	JVM	BDS		
26AUG05	R	04	-	-	12129557 - ADDED OPTIONAL CONSTRUCTION & 15318164 - WAS SEPARATE DWG	271214	JTZ	FRG	MB		
30SEP05	R	05	-	-	13544665 - RELEASED	273166	JS	JS	MR		
27FEB06	R	06	-	-	12065266 - CORRECTED DIM A LOCATION ON TYPE 102	277922	HCB	FRG	MR		
08MAY07	R	07	-	-	ALL ACTIVE PARTS - UPDATED PDM ATTRIBUTES	401296	MM	MM	SS		
16JUL08	R	08	-	-	12065266 & 15318164 - UPDATED MAT'L CALLOUT	405414	AEC	JCC	AEC		
13AUG08	R	09	-	-	13726494 - RELEASED	405712	JS	JS	OB		
11JAN18	R	10	-	-	15318164 - UPDATED PDM ATTRIBUTES	438638	BOH	JVM	CFH		



TYPE 101
ALL METRI-PACK PULL TO SEAT
-HAND INSERTION ONLY-



TYPE 102
ALL METRI-PACK PULL TO SEAT
-MACHINE INSERTION ONLY-



TYPE 103
ALL MICRO-PACK 100W
-HAND INSERTION ONLY-

OPTIONAL CONSTRUCTION

NOTES

- UNLESS OTHERWISE SPECIFIED AND/OR INDICATED:
DIMENSIONS ARE TO FACE OF VIEW SHOWN AND AUTOMATICALLY ROUNDED BY COMPUTER FOR INSPECTION (SEE MATH MODEL FOR PRECISE DIMENSIONS). FOR ALL OTHER DIMENSIONS NOT SHOWN BUT REQUIRED FOR TOOL BUILD, SEE MATH MODEL FOR PRECISE TOOL PATH DATA.
- THIS PART IS CONTROLLED FOR AUTOMATIC FEEDING AS DENOTED ON DRAWING WITH ▲.
- REFERENCE MATING COMPONENTS OR EQUIVALENT: SEAL, SEE CHART.

LINE DRAWN THROUGH A PART NUMBER INDICATES THAT PHYSICAL PARTS ARE NOT AVAILABLE FOR ORDERING.	
PART NUMBERS THAT DO NOT HAVE A LINE PRESENT INDICATE THAT PHYSICAL PARTS ARE AVAILABLE FOR ORDERING.	
CONTACT DELPHI SALES TO ASSURE AVAILABILITY OF PARTS.	
DWO TYPE	PART DRAWING
STYLE	
VOLUME (OMP)	DISTR CODE
UNLESS OTHERWISE SPECIFIED THIS DOCUMENT IS IN ACCORDANCE WITH ASME Y14.5M-1994 AS MODIFIED BY THE 2018 DIMENSIONING AND TOLERANCE PRACTICE (ASME Y14.5M-2018). SEPARATE PATTERNS OF FEATURES MAY BE INHIBITED SEPARATELY, IRRESPECTIVE OF DATUM REFERENCES.	
ALL DIMENSIONS ARE IN MILLIMETERS	
REFERENCE	

DELPHI
DELPHI PACKARD ELECTRICAL/ELECTRONIC ARCHITECTURE
WARREN, OH
COPYRIGHT 2003 DELPHI CORPORATION AND/OR ITS AFFILIATES. ALL RIGHTS RESERVED.
THIS DRAWING IS THE PROPERTY OF DELPHI CORPORATION AND CONTAINS DELPHI CONFIDENTIAL INFORMATION. THE REPRODUCTION, DISTRIBUTION AND UTILIZATION OF THIS DOCUMENT OR ITS RELATED DATA, AS WELL AS COMMUNICATION OF ANY CONTENT TO OTHERS, WITHOUT EXPRESS AUTHORIZATION, IS PROHIBITED.

OR	DATE
APV01 J.GAYALDON	20AUG03
APV02 J.GAYALDON	20AUG03
APV03 G.ORANTES	22AUG03
APV04	

SUBSTANCES OF CONCERN AND RECYCLED CONTENT, PER DELPHI 19245901

SEE CHART

DRAWING NAME
TAXI SEAL CBL 1W HOLE PLUG

DRAWING NUMBER
12110800

SIZE A0 SCALE 10:1 FRAME NO 1 OF 1 SHEET NO 1 OF 1 STG REV N/P R 10 -

PART NO	REV	N/P	MATERIAL SPECIFICATION AND COLOR	TYPE	A	B	∅ C	∅ (D)	∅ E ± 0.1	F	G _{MAX}	H	J	K	MATING SEAL	CABLE RANGE	VOLUME
13726494	01	-	POLYAMIDE COMPOUND - YELLOW	103	12.85	13.65	2.9+/-0.1	-	1.9+/-0.15	1.15	9	0.8	-	-	12146093	1.47/2.12	0.040
13544665	01	AA	POLYBUTYLENE TEREPHTHALATE-BLU LT	103	12.85	13.65	2.9+/-0.1	-	1.9+/-0.15	1.15	9	0.8	-	-	12146093	1.47/2.12	0.040
15318164	A3	-	POLYAMIDE COMPOUND - BLUE	103	12.85	13.65	2.5+0.0/-0.1	-	1.9+/-0.1	1.15	9	0.8	-	-	15355191	1.47/1.83	-
12129557	DB	-	POLYAMIDE COMPOUND - BLUE	103	12.85	13.65	2.9+/-0.1	-	1.9+/-0.15	1.15	9	0.8	-	-	12146093	1.47/2.12	0.040
12149232	A	-	POLYAMIDE COMPOUND - RED	102	9	10	3.15▲	2.2	2.9	1.5+0.2/-0.15	1.5	-	-	-	12034364	2.5/3.3	-
12065266	C11	-	POLYAMIDE COMPOUND - GRAY MD	102	9	10	3.15▲	1.8	2.5	1.5+/-0.3	1.5	-	-	-	12064810	2/2.4	0.050
12034413	C10	-	POLYAMIDE COMPOUND - BLACK	101	-	23+/-0.3	3.4+/-0.2	1.8	2.5	1.5+/-0.3	1.25	1	10	9	12064810	2/4	0.113

DIMENSIONAL RANGE (MM)		CHART SET	
FROM	TO	>70	>100
0	20	30	150
20	30	70	200
		150	300
		200	400
TOLERANCE UNLESS OTHERWISE SPECIFIED		ANGULAR TOLERANCE ±2°	
±0.15	±0.2	±0.3	±0.5
±0.4	±0.6	±1	±1.2

