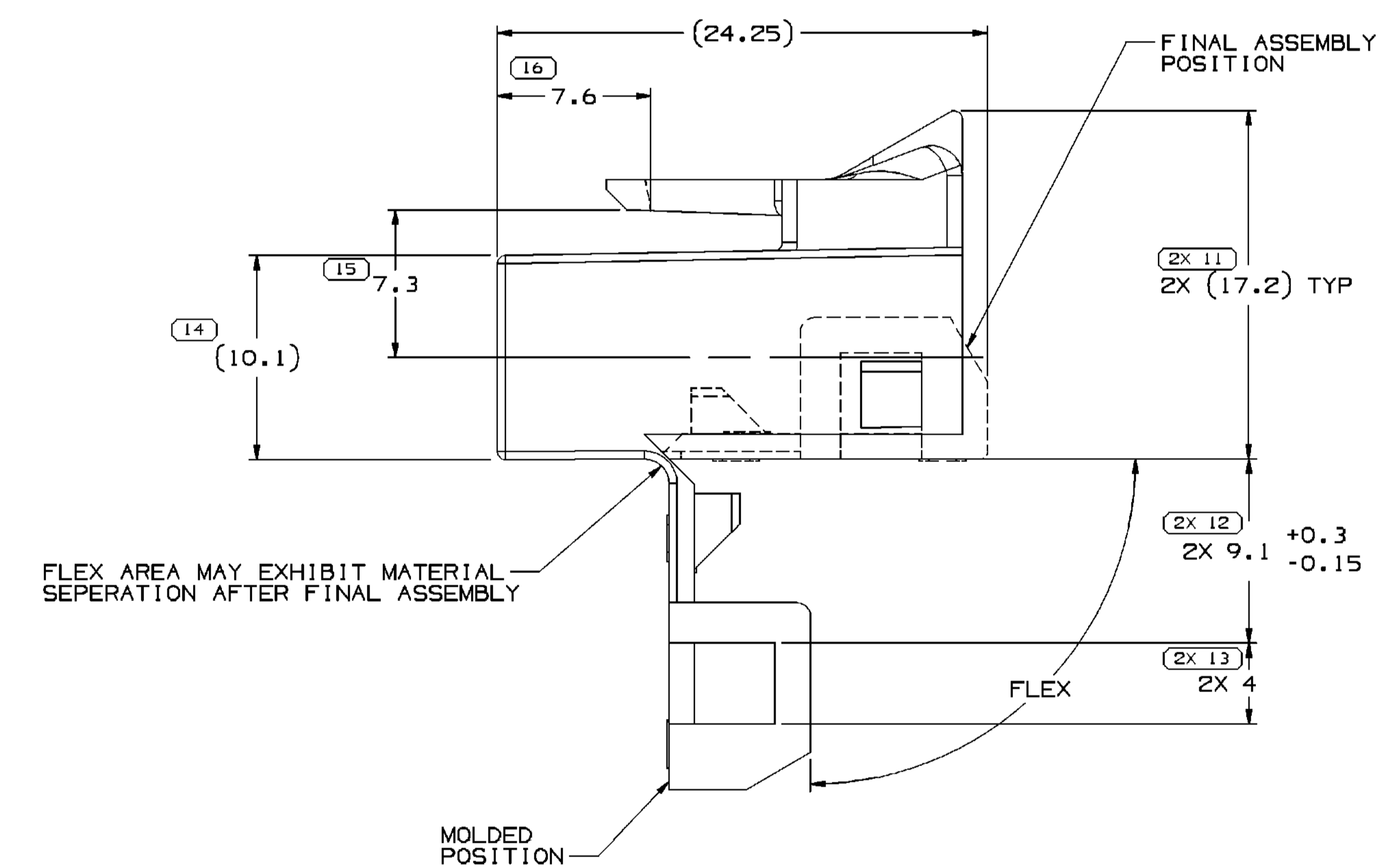
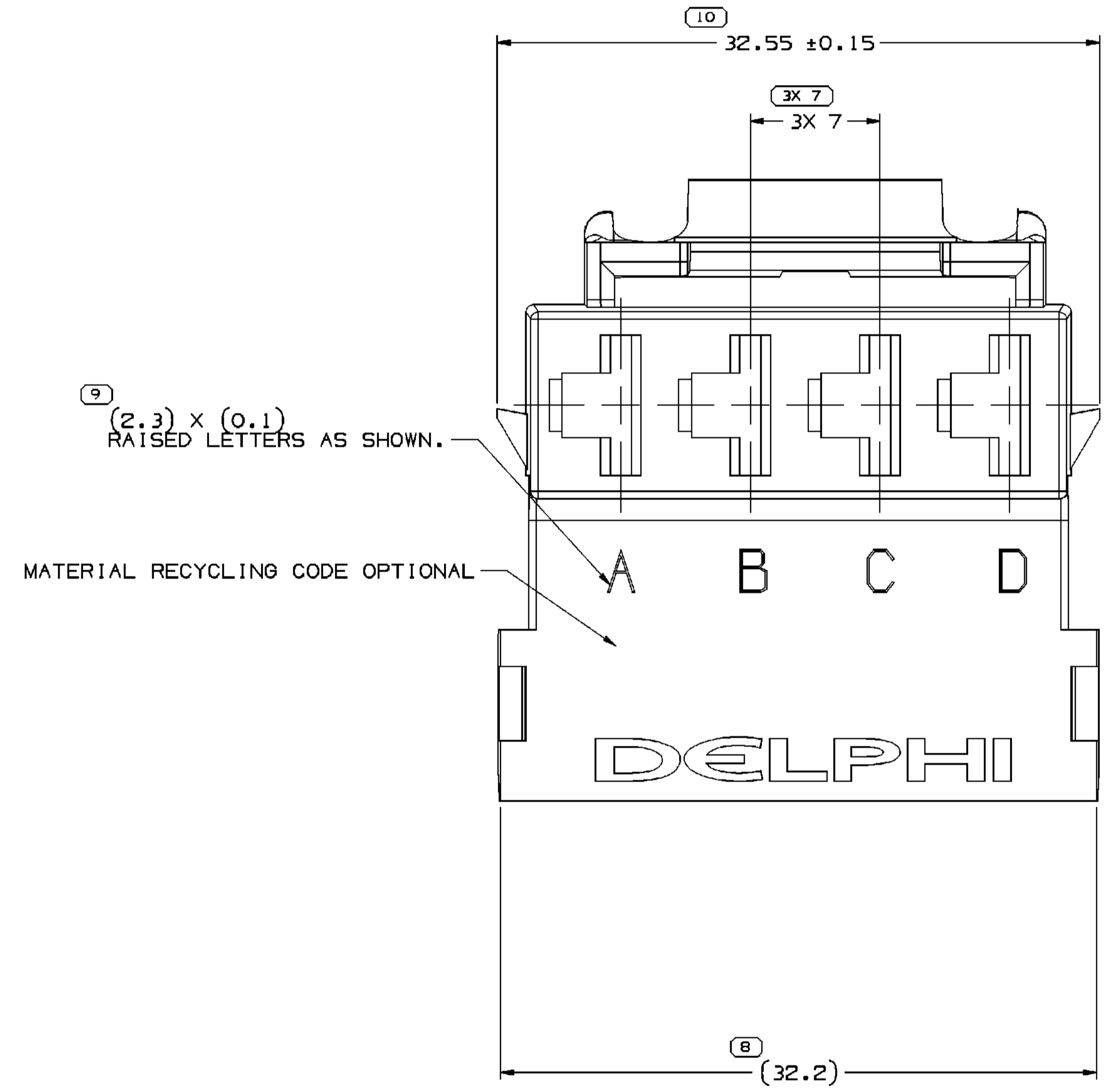
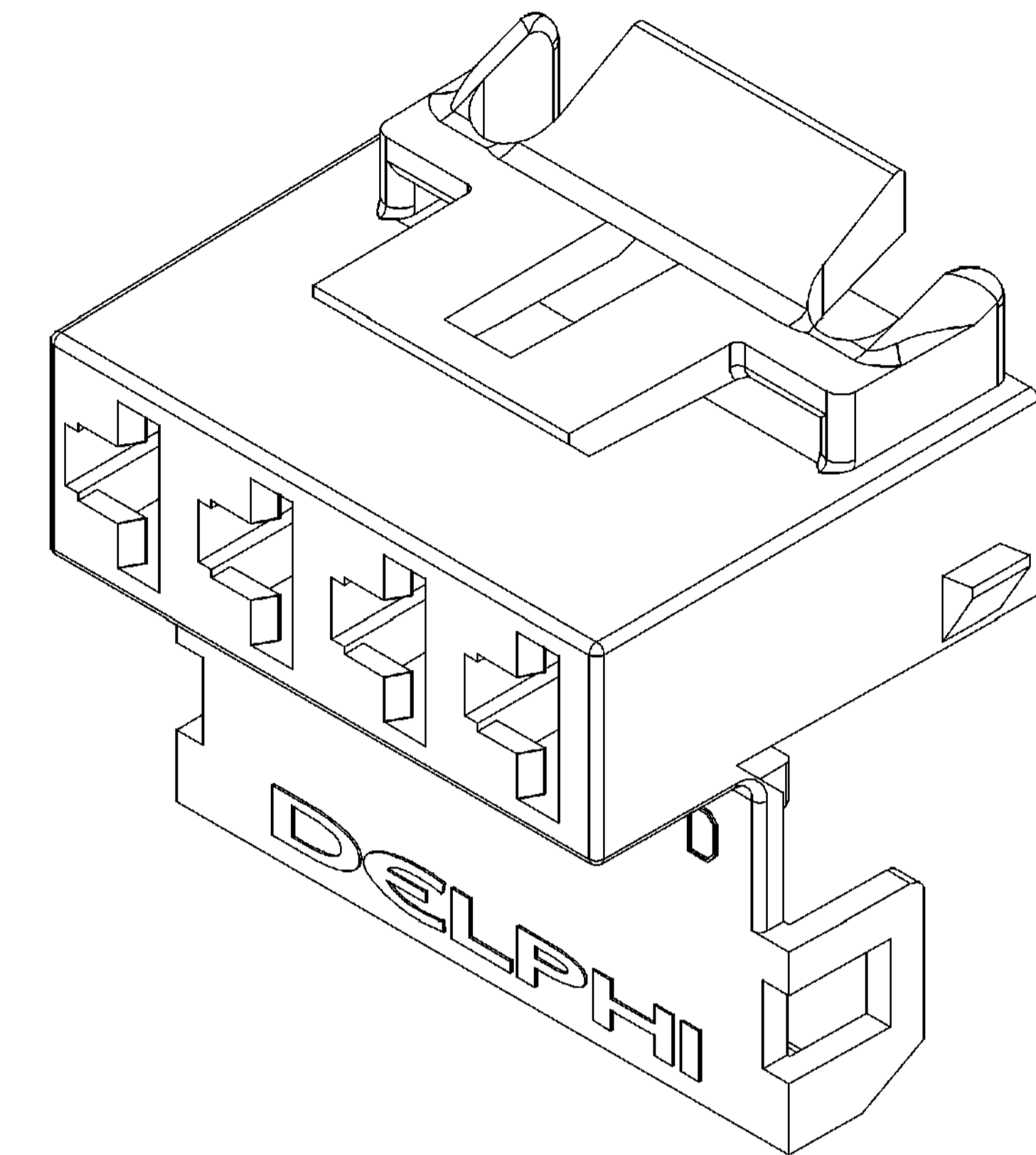
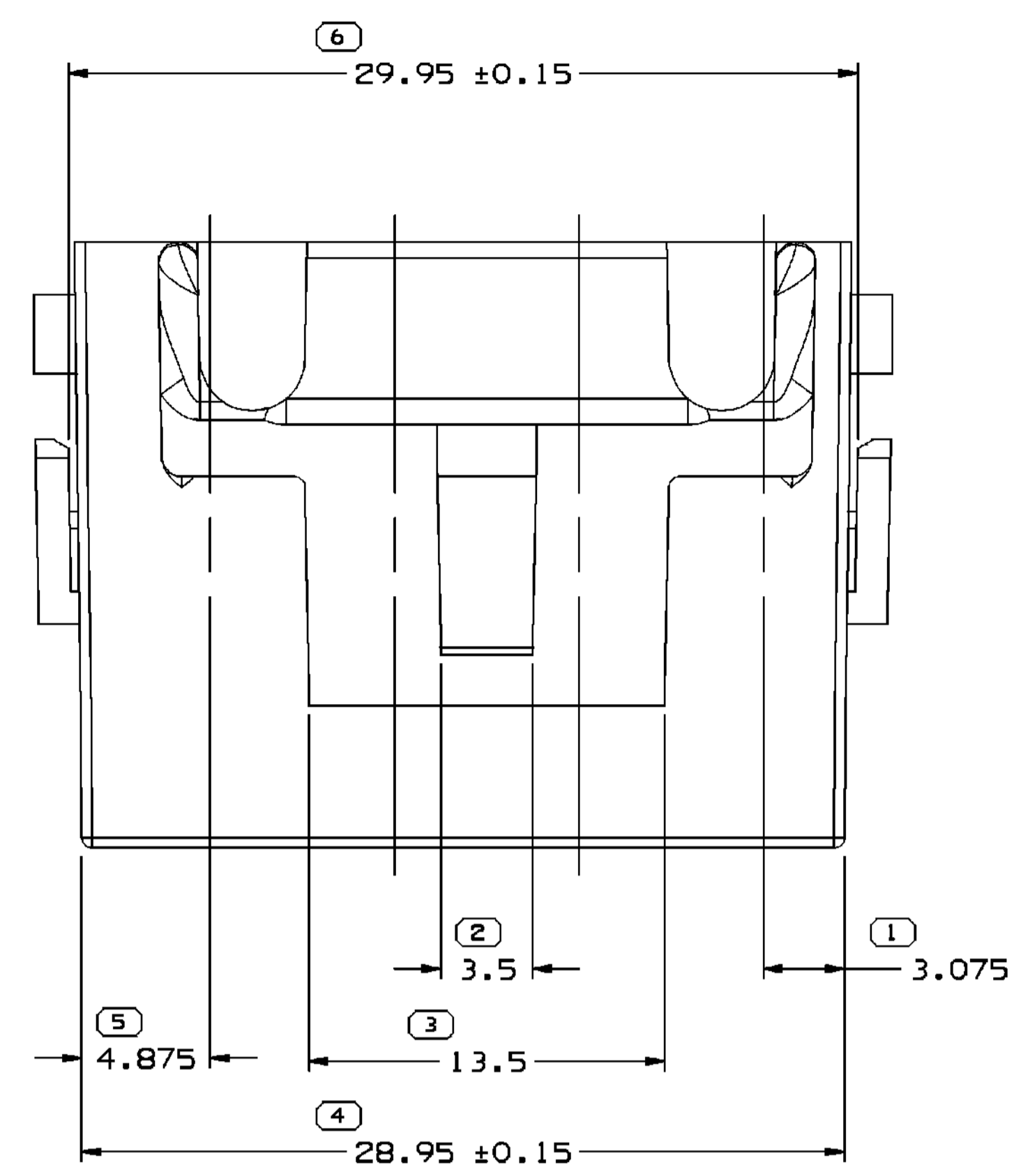


SYMBOL DEFINITION		MISSING SYMBOLS	
A DIMENSION WITHOUT AN INSPECTION REPORT SYMBOL ○ DOES NOT REQUIRE INSPECTION. IT MAY BE CONTROLLED ON THE INDIVIDUAL COMPONENT DRAWING.		TOTAL NO OF INSPECTIONS REQUIRED	21
		LAST NO. USED	16

DATE				REVISED				ZONE				REVISION HISTORY				AUTH		DR		APPROV	
08JUL02	R	09	-	-	-	-	-	-	-	-	-	-	MAT'L SPEC WAS R0067547 P46 BLK				227649	HH	EDV	JH	
14NOV07	R	09	AA	-	-	-	-	-	-	-	-	ADDED APPLICATION DATA NOTE AND REMOVED MATING COMP & ACCEPTED COMP INFORMATION				402909	MM	MM	BDM		



NOTES

- UNLESS OTHERWISE SPECIFIED AND/OR INDICATED: DIMENSIONS ARE TO FACE OF VIEW SHOWN AND AUTOMATICALLY ROUNDED BY COMPUTER FOR INSPECTION (SEE MATH MODEL FOR PRECISE DIMENSIONS). FOR ALL OTHER DIMENSIONS NOT SHOWN BUT REQUIRED FOR TOOL BUILD, SEE MATH MODEL FOR PRECISE TOOL PATH DATA.
- THIS PART IS NOT CONTROLLED FOR AUTOMATIC FEEDING.
- (2.3)x(0.1) RAISED DELPHI CORPORATE BRAND TO BE LOCATED ON ANY EXTERIOR SURFACE, PREFERABLY VISIBLE AT FINAL ASSEMBLY. OPTIONAL CONSTRUCTION TO BE "PED" OR NO LOGO.
- FOR APPLICATION DATA SEE THE APPLICATION DRAWING.

DIMENSIONAL RANGE (MM)		TOLERANCE UNLESS OTHERWISE SPECIFIED	
FROM	TO	TOLERANCE	ANGLE OR TOLERANCE
> 0	> 30	±0.15	±1
> 30	> 70	±0.2	±1.2
> 70	> 100	±0.3	±1.5
> 100	> 150	±0.4	±1.8
> 150	> 200	±0.5	±2.1
> 200	> 250	±0.6	±2.4
> 250	> 300	±0.7	±2.7
> 300	> 400	±0.8	±3.0

DELPHI
DELPHI PACKARD ELECTRICAL/ELECTRONIC ARCHITECTURE
WARREN, OH

OR	DATE
APR01 A.M. SPISAK	17DE80
APR02 E. DECKEC	17DE80
APR03 F. MLAKAR	17DE80

APR04
SUBSTANCES OF CONCERN AND RECYCLED CONTENT PER DELPHI 1994R01
POTENTIAL HAZARDOUS STUFFS AND RECYCLABLE
SERVICES (DELPHI 1994R01)

MATERIAL
POLYAMIDE COMPOUND BLACK

DRAWING NUMBER
12015664

SIZE AD SCALE 5:1 FRAME NO 1 OF 1 SHEET NO 5701 REV N/P R 09 AA

DATE: 20050604-09:01-301 Date: 05-Nov-07 Time: 09:05