

DM74LS273 8-Bit Register with Clear

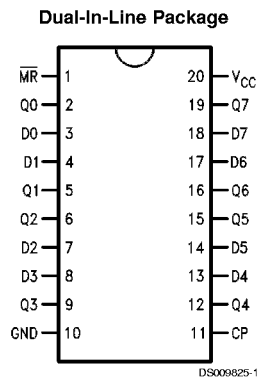
General Description

The 'LS273 is a high speed 8-bit register, consisting of eight D-type flip-flops with a common Clock and an asynchronous active LOW Master Reset. This device is supplied in a 20-pin package featuring 0.3 inch row spacing.

Features

- Edge-triggered
- 8-bit high speed register
- Parallel in and out
- Common clock and master reset

Connection Diagram



**Order Number DM54LS273E, DM54LS273J,
DM54LS273W, DM74LS273M or DM74LS273N
See Package Number E20A, J20A, M20B,
N20A or W20A**

Pin Names	Description
CP	Clock Pulse Input (Active Rising Edge)
D0–D7	Data Inputs
$\overline{\text{MR}}$	Asynchronous Master Reset Input (Active LOW)
Q0–Q7	Flip-Flop Outputs

Absolute Maximum Ratings (Note 1)

Supply Voltage	7V	DM54LS	-55°C to +125°C
Input Voltage	7V	DM74LS	0°C to +70°C
Operating Free Air Temperature Range		Storage Temperature Range	-65°C to +150°C

Recommended Operating Conditions

Symbol	Parameter	DM54LS273			DM74LS273			Units
		Min	Nom	Max	Min	Nom	Max	
V _{CC}	Supply Voltage	4.5	5	5.5	4.75	5	5.25	V
V _{IH}	High Level Input Voltage	2			2			V
V _{IL}	Low Level Input Voltage			0.7			0.8	V
I _{OH}	High Level Output Current			-0.4			-0.4	mA
I _{OL}	Low Level Output Current			4			8	mA
T _A	Free Air Operating Temperature	-55		125	0		70	°C
t _s (H)	Setup Time HIGH or LOW	15			15			ns
t _s (L)	D _n to CP	15			15			ns
t _h (H)	Hold Time HIGH or LOW	5			5			ns
t _h (L)	D _n to CP	5			5			ns
t _w (H)	CP Pulse Width HIGH or LOW	20			20			ns
t _w (L)		20			20			ns
t _w (L)	\overline{MR} Pulse Width LOW	20			20			ns
t _{rec}	Recovery Time \overline{MR} to CP	15			15			ns

Note 1: The "Absolute Maximum Ratings" are those values beyond which the safety of the device cannot be guaranteed. The device should not be operated at these limits. The parametric values defined in the "Electrical Characteristics" table are not guaranteed at the absolute maximum ratings. The "Recommended Operating Conditions" table will define the conditions for actual device operation.

Electrical Characteristics

Over recommended operating free air temperature range (unless otherwise noted)

Symbol	Parameter	Conditions	Min	Typ (Note 2)	Max	Units
V _I	Input Clamp Voltage	V _{CC} = Min, I _I = -18 mA			-1.5	V
V _{OH}	High Level Output Voltage	V _{CC} = Min, I _{OH} = Max, V _{IL} = Max	DM54 2.5 DM74 2.7	3.4		V
V _{OL}	Low Level Output Voltage	V _{CC} = Min, I _{OL} = Max, V _{IH} = Min	DM54 DM74	0.35	0.4 0.5	V
I _I	Input Current @ Max Input Voltage	I _{OL} = 4 mA, V _{CC} = Min	DM74	0.25	0.4	mA
I _{IH}	High Level Input Current	V _{CC} = Max, V _I = 7V V _I = 10V (DM54)			0.1	mA
I _{IH}	High Level Input Current	V _{CC} = Max, V _I = 2.7V			20	μA
I _{IL}	Low Level Input Current	V _{CC} = Max, V _I = 0.4V			-0.4	mA
I _{OS}	Short Circuit Output Current	V _{CC} = Max (Note 3)	DM54 DM74	-20	-100 -100	mA
I _{CC}	Supply Current	V _{CC} = Max			27	mA

Note 2: All typicals are at V_{CC} = 5V, T_A = 25°C.

Note 3: Not more than one output should be shorted at a time, and the duration should not exceed one second.

Switching Characteristics

$V_{CC} = +5.0V$, $T_A = +25^\circ C$

Symbol	Parameter	$C_L = 15 \text{ pF}$				Units
		DM54LS		DM74LS		
		$R_L = 2 \text{ k}\Omega$				
		Min	Max	Min	Max	
f_{max}	Maximum Clock Frequency	30		30		MHz
t_{PLH}	Propagation Delay		24		24	ns
t_{PHL}	CP to Q_n		24		24	ns
t_{PLH}	Propagation Delay \overline{MR} to Q_n		27		27	ns

Functional Description

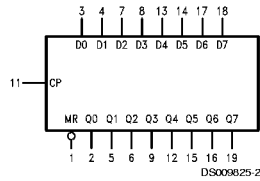
The 'LS273 is an 8-bit parallel register with a common Clock and common Master Reset. When the \overline{MR} input is LOW, the Q outputs are LOW, independent of the other inputs. Information meeting the setup and hold time requirements of the D inputs is transferred to the Q outputs on the LOW-to-HIGH transition of the clock input.

Truth Table

MR	Inputs			Outputs Q_n
	CP	D_n		
L	X	X		L
H	\curvearrowright	H		H
H	\curvearrowright	L		L

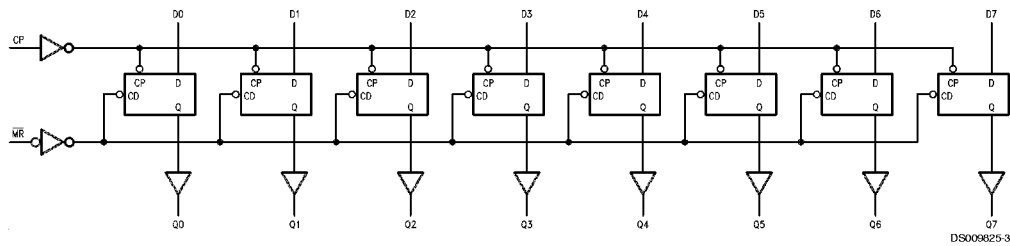
H = HIGH Voltage Level
L = LOW Voltage Level
X = Immaterial

Logic Symbol

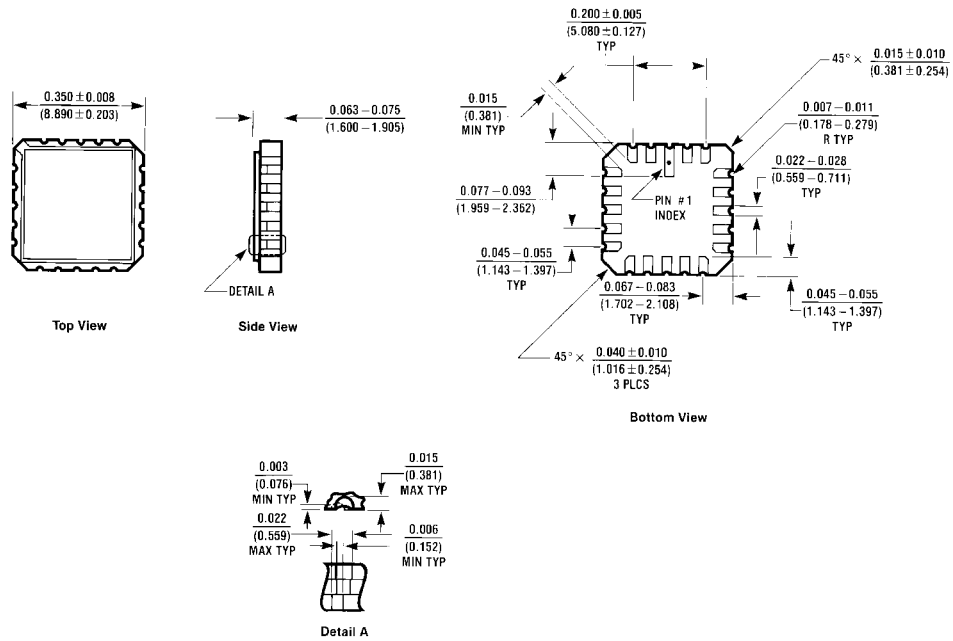


$V_{CC} = \text{Pin } 20$
 $GND = \text{Pin } 10$

Logic Diagram

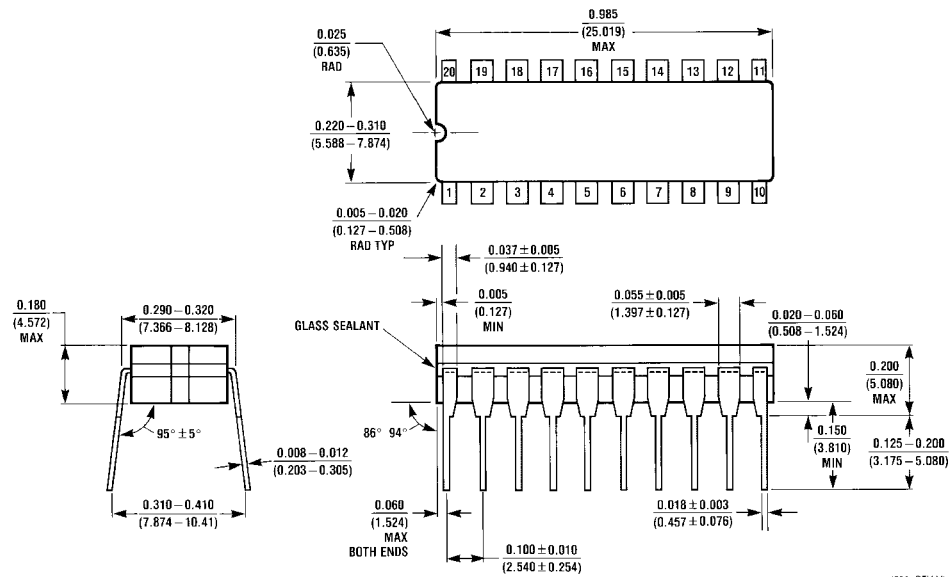


Physical Dimensions inches (millimeters) unless otherwise noted



EP04 (REV. D)

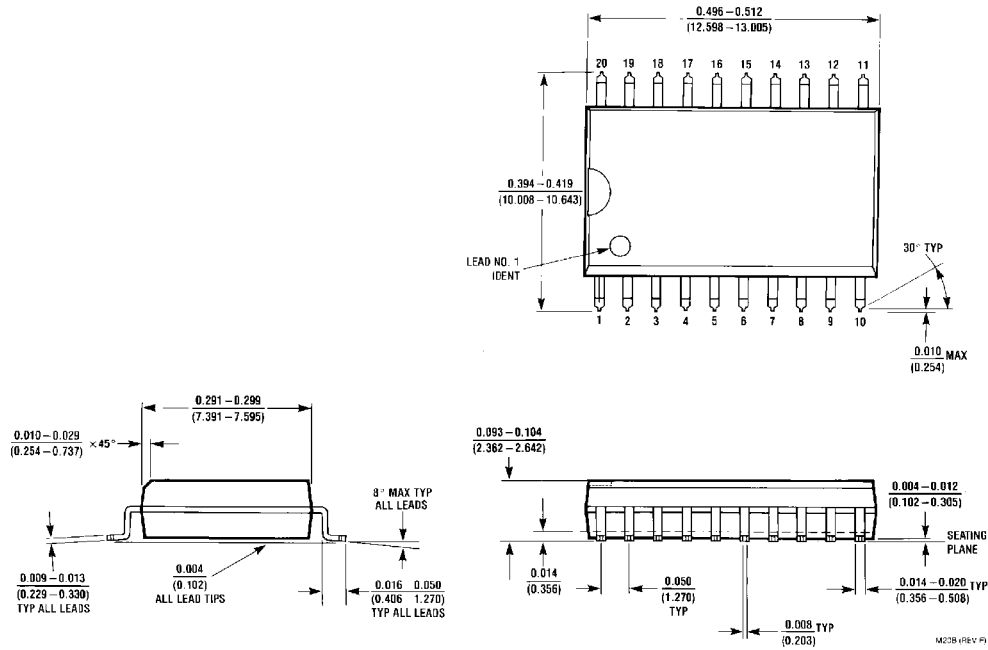
Ceramic Leadless Chip Carrier Package (E)
Order Number DM54LS273E
Package Number E20A



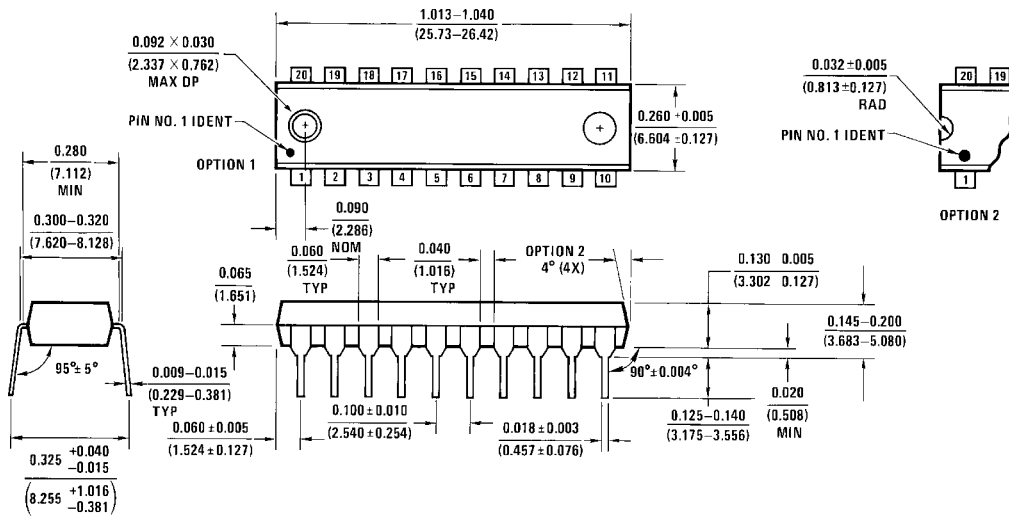
J20A (REV. M)

20-Lead Ceramic Dual-In-Line Package (J)
Order Number DM54LS273J
Package Number J20A

Physical Dimensions inches (millimeters) unless otherwise noted (Continued)



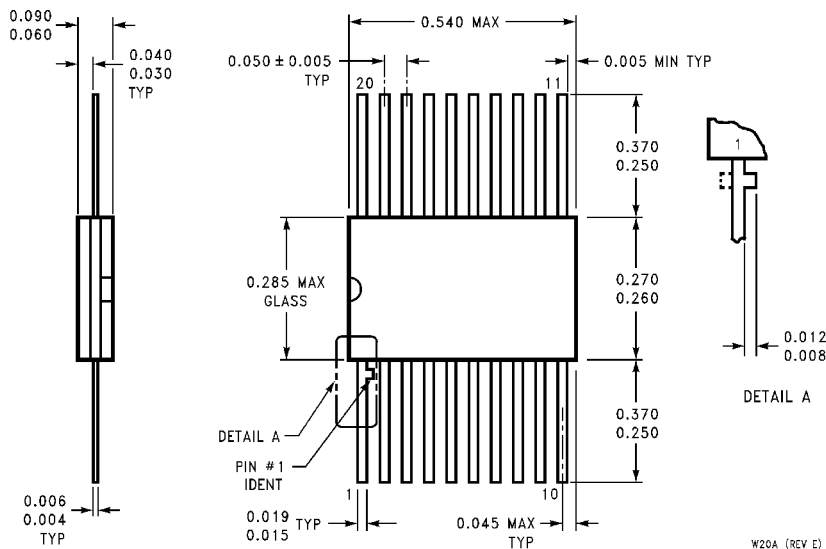
20-Lead Wide Small Outline Molded Package (M)
Order Number DM74LS273M
Package Number M20B



20-Lead Molded Dual-In-Line Package (N)
Order Number DM74LS273N
Package Number N20A

DM74LS273 8-Bit Register with Clear

Physical Dimensions inches (millimeters) unless otherwise noted (Continued)



20-Lead Ceramic Flat Package (W)
Order Number DM54LS273W
Package Number W20A

LIFE SUPPORT POLICY

FAIRCHILD'S PRODUCTS ARE NOT AUTHORIZED FOR USE AS CRITICAL COMPONENTS IN LIFE SUPPORT DEVICES OR SYSTEMS WITHOUT THE EXPRESS WRITTEN APPROVAL OF THE PRESIDENT OF FAIRCHILD SEMICONDUCTOR CORPORATION. As used herein:

1. Life support devices or systems are devices or systems which, (a) are intended for surgical implant into the body, or (b) support or sustain life, and (c) whose failure to perform when properly used in accordance with instructions for use provided in the labeling, can be reasonably expected to result in a significant injury to the user.
2. A critical component in any component of a life support device or system whose failure to perform can be reasonably expected to cause the failure of the life support device or system, or to affect its safety or effectiveness.

Fairchild Semiconductor Corporation
Americas
Customer Response Center
Tel: 1-888-522-5372

Fairchild Semiconductor Europe
Fax: +49 (0) 1 80-530 85 86
Email: europe.support@nsc.com
Deutsch Tel: +49 (0) 8 141-35-0
English Tel: +44 (0) 1 793-85-68-56
Italy Tel: +39 (0) 2 57 5631

Fairchild Semiconductor Hong Kong Ltd.
13th Floor, Straight Block,
Ocean Centre, 5 Canton Rd.
Tsimshatsui, Kowloon
Hong Kong
Tel: +852 2737-7200
Fax: +852 2314-0061

National Semiconductor Japan Ltd.
Tel: 81-3-5620-6175
Fax: 81-3-5620-6179

www.fairchildsemi.com