

**Features**

- Low power, pin-compatible replacement for LCX and LPT families
- 5V tolerant inputs and outputs
- 24 mA balanced drive outputs
- Power-off disable outputs permits live insertion
- Edge-rate control circuitry for reduced noise
- FCT-C speed at 4.1 ns
- Latch-up performance exceeds JEDEC standard no. 17
- Typical output skew < 250ps
- Industrial temperature range of  $-40^{\circ}\text{C}$  to  $+85^{\circ}\text{C}$
- TSSOP (19.6-mil pitch) or SSOP (25-mil pitch)
- Typical  $V_{Olp}$  (ground bounce) performance exceeds Mil Std 883D
- $V_{CC} = 2.7\text{V}$  to  $3.6\text{V}$
- ESD (HBM) > 2000V

**CY74FCT163H245**

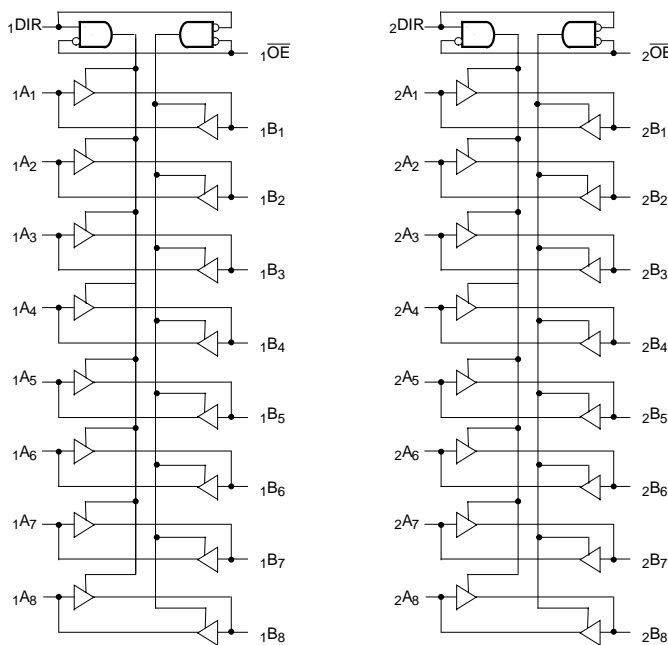
- Bus hold on data inputs
- Eliminates the need for external pull-up or pull-down resistors
- Devices with bus hold are not recommended for translating rail-to-rail CMOS signals to 3.3V logic levels

**Functional Description**

These 16-bit transceivers are designed for use in bidirectional synchronous communication between two buses, where high speed and low power are required. Direction of data flow is controlled by (DIR), the Output Enable ( $\overline{OE}$ ) transfers data when LOW and isolates the buses when HIGH. The outputs are 24-mA balanced output drivers with current limiting resistors to reduce the need for external terminating resistors and provide for minimal undershoot and reduced ground bounce..

The CY74FCT163H245 has "bus hold" on the data inputs, which retains the input's last state whenever the input goes to high impedance. This eliminates the need for pull-up/down resistors and prevents floating inputs.

The CY74FCT163245 is designed with inputs and outputs capable of being driven by 5.0V buses, allowing its use in mixed voltage systems as a translator. The outputs are also designed with a power off disable feature enabling its use in applications requiring live insertion.

**Logic Block Diagrams CY74FCT163245, CY74FCT163H245**

**Pin Configuration**

| SSOP/TSSOP<br>Top View |    |    |     |
|------------------------|----|----|-----|
| 1DIR                   | 1  | 48 | 1OE |
| 1B1                    | 2  | 47 | 1A1 |
| 1B2                    | 3  | 46 | 1A2 |
| GND                    | 4  | 45 | GND |
| 1B3                    | 5  | 44 | 1A3 |
| 1B4                    | 6  | 43 | 1A4 |
| VCC                    | 7  | 42 | VCC |
| 1B5                    | 8  | 41 | 1A5 |
| 1B6                    | 9  | 40 | 1A6 |
| GND                    | 10 | 39 | GND |
| 1B7                    | 11 | 38 | 1A7 |
| 1B8                    | 12 | 37 | 1A8 |
| 2B1                    | 13 | 36 | 2A1 |
| 2B2                    | 14 | 35 | 2A2 |
| GND                    | 15 | 34 | GND |
| 2B3                    | 16 | 33 | 2A3 |
| 2B4                    | 17 | 32 | 2A4 |
| VCC                    | 18 | 31 | VCC |
| 2B5                    | 19 | 30 | 2A5 |
| 2B6                    | 20 | 29 | 2A6 |
| GND                    | 21 | 28 | GND |
| 2B7                    | 22 | 27 | 2A7 |
| 2B8                    | 23 | 26 | 2A8 |
| 2DIR                   | 24 | 25 | 2OE |

### Pin Description

| Name            | Description                                   |
|-----------------|---|
| $\overline{OE}$ | Three-State Output Enable Inputs (Active LOW) |
| DIR             | Direction Control                             |
| A               | Inputs or Three-State Outputs <sup>[1]</sup>  |
| B               | Inputs or Three-State Outputs <sup>[1]</sup>  |

### Function Table<sup>[2]</sup>

| Inputs          |     | Outputs             |
|-----------------|-----|---------------------|
| $\overline{OE}$ | DIR |                     |
| L               | L   | Bus B Data to Bus A |
| L               | H   | Bus A Data to Bus B |
| H               | X   | High Z State        |

### Maximum Ratings<sup>[3, 4]</sup>

(Above which the useful life may be impaired. For user guidelines, not tested.)

|  |                 |
|--|-----------------|
| Storage Temperature .....                          | -55°C to +125°C |
| Ambient Temperature with Power Applied.....        | -55°C to +125°C |
| Supply Voltage Range .....                         | 0.5V to 4.6V    |
| DC Input Voltage .....                             | -0.5V to +7.0V  |
| DC Output Voltage.....                             | -0.5V to +7.0V  |
| DC Output Current (Maximum Sink Current/Pin) ..... | -60 to +120 mA  |
| Power Dissipation .....                            | 1.0W            |

### Operating Range

| Range      | Ambient Temperature | V <sub>CC</sub> |
|------------|---------------------|-----------------|
| Industrial | -40°C to +85°C      | 2.7V to 3.6V    |

### Electrical Characteristics for Non Bus Hold Devices Over the Operating Range V<sub>CC</sub>=2.7V to 3.6V

| Parameter        | Description   | Test Conditions   | Min. | Typ. <sup>[5]</sup> | Max. | Unit |
|------------------|---|---|------|---------------------|------|------|
| V <sub>IH</sub>  | Input HIGH Voltage                                      | All Inputs  | 2.0  |                     | 5.5  | V    |
| V <sub>IL</sub>  | Input LOW Voltage                                       |   |      |                     | 0.8  | V    |
| V <sub>H</sub>   | Input Hysteresis <sup>[6]</sup>                         |   |      | 100                 |      | mV   |
| V <sub>IK</sub>  | Input Clamp Diode Voltage                               | V <sub>CC</sub> =Min., I <sub>IN</sub> =-18 mA                |      | -0.7                | -1.2 | V    |
| I <sub>IH</sub>  | Input HIGH Current                                      | V <sub>CC</sub> =Max., V <sub>I</sub> =5.5                    |      |                     | ±1   | µA   |
| I <sub>IL</sub>  | Input LOW Current                                       | V <sub>CC</sub> =Max., V <sub>I</sub> =GND                    |      |                     | ±1   | µA   |
| I <sub>OZH</sub> | High Impedance Output Current (Three-State Output pins) | V <sub>CC</sub> =Max., V <sub>OUT</sub> =5.5V                 |      |                     | ±1   | µA   |
| I <sub>OZL</sub> | High Impedance Output Current (Three-State Output pins) | V <sub>CC</sub> =Max., V <sub>OUT</sub> =GND                  |      |                     | ±1   | µA   |
| I <sub>OS</sub>  | Short Circuit Current <sup>[7]</sup>                    | V <sub>CC</sub> =Max., V <sub>OUT</sub> =GND                  | -60  | -135                | -240 | mA   |
| I <sub>OFF</sub> | Power-Off Disable                                       | V <sub>CC</sub> =0V, V <sub>OUT</sub> ≤4.5V                   |      |                     | ±100 | µA   |
| I <sub>CC</sub>  | Quiescent Power Supply Current                          | V <sub>IN</sub> ≤0.2V, V <sub>IN</sub> ≥V <sub>CC</sub> -0.2V |      |                     | 0.1  | µA   |
| ΔI <sub>CC</sub> | Quiescent Power Supply Current (TTL inputs HIGH)        | V <sub>IN</sub> =V <sub>CC</sub> -0.6V <sup>[8]</sup>         |      |                     | 2.0  | µA   |

#### Note:

- On the CY74FCT163H245, these pins have bus hold.
- H = HIGH Voltage Level. L = LOW Voltage Level. X = Don't Care. Z = High Impedance.
- Operation beyond the limits set forth may impair the useful life of the device. Unless otherwise noted, these limits are over the operating free-air temperature range.
- Unused inputs must always be connected to an appropriate logic voltage level, preferably either V<sub>CC</sub> or ground.
- Typical values are at V<sub>CC</sub>=3.3V, T<sub>A</sub> = +25°C ambient.
- This parameter is specified but not tested.
- Not more than one output should be shorted at a time. Duration of short should not exceed one second. The use of high-speed test apparatus and/or sample and hold techniques are preferable in order to minimize internal chip heating and more accurately reflect operational values. Otherwise prolonged shorting of a high output may raise the chip temperature well above normal and thereby cause invalid readings in other parametric tests. In any sequence of parameter tests, I<sub>OS</sub> tests should be performed last.
- Per TTL driven input; all other inputs at V<sub>CC</sub> or GND.

**Electrical Characteristics For Bus Hold Devices** Over the Operating Range  $V_{CC}=2.7V$  to  $3.6V$ 

| Parameter                | Description   | Test Conditions  | Min. | Typ. <sup>[5]</sup> | Max.      | Unit          |
|--------------------------|---|--|------|---------------------|-----------|---------------|
| $V_{IH}$                 | Input HIGH Voltage  | All Inputs   | 2.0  |                     | $V_{CC}$  | V             |
| $V_{IL}$                 | Input LOW Voltage   |  |      |                     | 0.8       | V             |
| $V_H$                    | Input Hysteresis <sup>[6]</sup>                             |  |      | 100                 |           | mV            |
| $V_{IK}$                 | Input Clamp Diode Voltage                                   | $V_{CC}=\text{Min.}, I_{IN}=-18\text{ mA}$                             |      | -0.7                | -1.2      | V             |
| $I_{IH}$                 | Input HIGH Current  | $V_{CC}=\text{Max.}, V_I=V_{CC}$                                       |      |                     | $\pm 100$ | $\mu\text{A}$ |
| $I_{IL}$                 | Input LOW Current   |  |      |                     | $\pm 100$ | $\mu\text{A}$ |
| $I_{BBH}$<br>$I_{BBL}$   | Bus Hold Sustain Current on Bus Hold Input <sup>[9]</sup>   | $V_{CC}=\text{Min.}$<br>$V_I=2.0V$                                     | -50  |                     |           | $\mu\text{A}$ |
|                          |   | $V_I=0.8V$   | +50  |                     |           | $\mu\text{A}$ |
| $I_{BHHO}$<br>$I_{BHLO}$ | Bus Hold Overdrive Current on Bus Hold Input <sup>[9]</sup> | $V_{CC}=\text{Max.}, V_I=1.5V$   |      |                     | $\pm 500$ | $\mu\text{A}$ |
| $I_{OZH}$                | High Impedance Output Current (Three-State Output pins)     | $V_{CC}=\text{Max.}, V_{OUT}=V_{CC}$                                   |      |                     | $\pm 1$   | $\mu\text{A}$ |
| $I_{OZL}$                | High Impedance Output Current (Three-State Output pins)     | $V_{CC}=\text{Max.}, V_{OUT}=\text{GND}$                               |      |                     | $\pm 1$   | $\mu\text{A}$ |
| $I_{OS}$                 | Short Circuit Current <sup>[7]</sup>                        | $V_{CC}=\text{Max.}, V_{OUT}=\text{GND}$                               | -60  | -135                | -240      | mA            |
| $I_{OFF}$                | Power-Off Disable   | $V_{CC}=0V, V_{OUT}\leq 4.5V$  |      |                     | $\pm 100$ | $\mu\text{A}$ |
| $I_{CC}$                 | Quiescent Power Supply Current                              | $V_{IN}\leq 0.2V,$<br>$V_{IN}\geq V_{CC}-0.2V$<br>$V_{CC}=\text{Max.}$ |      |                     | +40       | $\mu\text{A}$ |
| $\Delta I_{CC}$          | Quiescent Power supply Current (TTL inputs HIGH)            | $V_{IN}=V_{CC}-0.6V$ <sup>[8]</sup><br>$V_{CC}=\text{Max.}$            |      |                     | +350      | $\mu\text{A}$ |

**Electrical Characteristics For Balanced Drive Devices** Over the Operating Range  $V_{CC}=2.7V$  to  $3.6V$ 

| Parameter | Description                                | Test Conditions   | Min.                | Typ. <sup>[5]</sup> | Max. | Unit |
|-----------|--|---|---------------------|---------------------|------|------|
| $I_{ODL}$ | Output LOW Dynamic Current <sup>[7]</sup>  | $V_{CC}=3.3V, V_{IN}=V_{IH}$<br>or $V_{IL}, V_{OUT}=1.5V$ | 45                  |                     | 180  | mA   |
| $I_{ODH}$ | Output HIGH Dynamic Current <sup>[7]</sup> | $V_{CC}=3.3V, V_{IN}=V_{IH}$<br>or $V_{IL}, V_{OUT}=1.5V$ | -45                 |                     | -180 | mA   |
| $V_{OH}$  | Output HIGH Voltage                        | $V_{CC}=\text{Min.}, I_{OH}=-0.1\text{ mA}$               | $V_{CC}-0.2$        |                     |      | V    |
|           |  | $V_{CC}=\text{Min.}, I_{OH}=-8\text{ mA}$                 | 2.4 <sup>[10]</sup> | 3.0                 |      | V    |
|           |  | $V_{CC}=3.0V, I_{OH}=-24\text{ mA}$                       | 2.0                 | 3.0                 |      | V    |
| $V_{OL}$  | Output LOW Voltage                         | $V_{CC}=\text{Min.}, I_{OL}=0.1\text{ mA}$                |                     |                     | 0.2  | V    |
|           |  | $V_{CC}=\text{Min.}, I_{OL}=24\text{ mA}$                 |                     | 0.3                 | 0.55 | V    |

**Notes:**

9. Pins with bus hold are described in Pin Description.  
10.  $V_{OH}=V_{CC}-0.6V$  at rated current.

**Capacitance<sup>[6]</sup>** ( $T_A = +25^\circ\text{C}, f = 1.0\text{ MHz}$ )

| Parameter | Description        | Test Conditions | Typ. <sup>[5]</sup> | Max. | Unit |
|-----------|--------------------|-----------------|---------------------|------|------|
| $C_{IN}$  | Input Capacitance  | $V_{IN} = 0V$   | 4.5                 | 6.0  | pF   |
| $C_{OUT}$ | Output Capacitance | $V_{OUT} = 0V$  | 5.5                 | 8.0  | pF   |

**Power Supply Characteristics**

| Parameter | Description                                  | Test Conditions  |  | Typ. <sup>[5]</sup> | Max.                | Unit                     |
|-----------|--|--|--|---------------------|---------------------|--------------------------|
| $I_{CCD}$ | Dynamic Power Supply Current <sup>[11]</sup> | $V_{CC} = \text{Max.}$ , One Input Toggling, 50% Duty Cycle, Outputs Open, $\overline{OE} = \text{GND}$                              | $V_{IN} = V_{CC}$ or $V_{IN} = \text{GND}$               | 50                  | 75                  | $\mu\text{A}/\text{MHz}$ |
| $I_C$     | Total Power Supply Current <sup>[12]</sup>   | $V_{CC} = \text{Max.}$ , $f_1 = 10 \text{ MHz}$ , 50% Duty Cycle, Outputs Open, One Bit Toggling, $\overline{OE} = \text{GND}$       | $V_{IN} = V_{CC}$ or $V_{IN} = \text{GND}$               | 0.5                 | 0.8                 | mA                       |
|           |  |  | $V_{IN} = V_{CC} - 0.6\text{V}$ or $V_{IN} = \text{GND}$ | 0.5                 | 0.8                 | mA                       |
|           |  | $V_{CC} = \text{Max.}$ , $f_1 = 2.5 \text{ MHz}$ , 50% Duty Cycle, Outputs Open, Sixteen Bits Toggling, $\overline{OE} = \text{GND}$ | $V_{IN} = V_{CC}$ or $V_{IN} = \text{GND}$               | 2.0                 | 3.0 <sup>[13]</sup> | mA                       |
|           |  |  | $V_{IN} = V_{CC} - 0.6\text{V}$ or $V_{IN} = \text{GND}$ | 2.0                 | 3.3 <sup>[13]</sup> | mA                       |

**Switching Characteristics Over the Operating Range  $V_{CC} = 3.0\text{V}$  to  $3.6\text{V}$ <sup>[14,15]</sup>**

| Parameter              | Description                      | CY74FCT163245A<br>CY74FCT163H245A |      | CY74FCT163245C<br>CY74FCT163H245C |      | Unit | Fig. No. <sup>[16]</sup> |
|------------------------|----------------------------------|-----------------------------------|------|-----------------------------------|------|------|--------------------------|
|                        |                                  | Min.                              | Max. | Min.                              | Max. |      |                          |
| $t_{PLH}$<br>$t_{PHL}$ | Propagation Delay Data to Output | 1.5                               | 4.8  | 1.5                               | 4.1  | ns   | 1, 3                     |
| $t_{PZH}$<br>$t_{PZL}$ | Output Enable Time               | 1.5                               | 6.2  | 1.5                               | 5.8  | ns   | 1, 7, 8                  |
| $t_{PHZ}$<br>$t_{PLZ}$ | Output Disable Time              | 1.5                               | 5.6  | 1.5                               | 5.2  | ns   | 1, 7, 8                  |
| $t_{SK(O)}$            | Output Skew <sup>[17]</sup>      |                                   | 0.5  |                                   | 0.5  | ns   | —                        |

**Notes:**

11. This parameter is not directly testable, but is derived for use in Total Power Supply calculations.
12.  $I_C = I_{QUIESCENT} + I_{INPUTS} + I_{DYNAMIC}$   
 $I_C = I_{CC} + \Delta I_{CC} D_H N_T + I_{CCD} (f_0/2 + f_1 N_1)$   
 $I_{CC}$  = Quiescent Current with CMOS input levels  
 $\Delta I_{CC}$  = Power Supply Current for a TTL HIGH input ( $V_{IN} = 3.4\text{V}$ )  
 $D_H$  = Duty Cycle for TTL inputs HIGH  
 $N_T$  = Number of TTL inputs at  $D_H$   
 $I_{CCD}$  = Dynamic Current caused by an input transition pair (HLH or LHL)  
 $f_0$  = Clock frequency for registered devices, otherwise zero  
 $f_1$  = Input signal frequency  
 $N_1$  = Number of inputs changing at  $f_1$   
 All currents are in milliamps and all frequencies are in megahertz.
13. Values for these conditions are examples of the  $I_{CC}$  formula. These limits are specified but not tested.
14. Minimum limits are specified but not tested on Propagation Delays.
15. For  $V_{CC} = 2.7$ , propagation delay, output enable and output disable times should be degraded by 20%.
16. See "Parameter Measurement Information" in the General Information section.
17. Skew between any two outputs of the same package switching in the same direction. This parameter is ensured by design.

**Ordering Information CY74FCT163245**

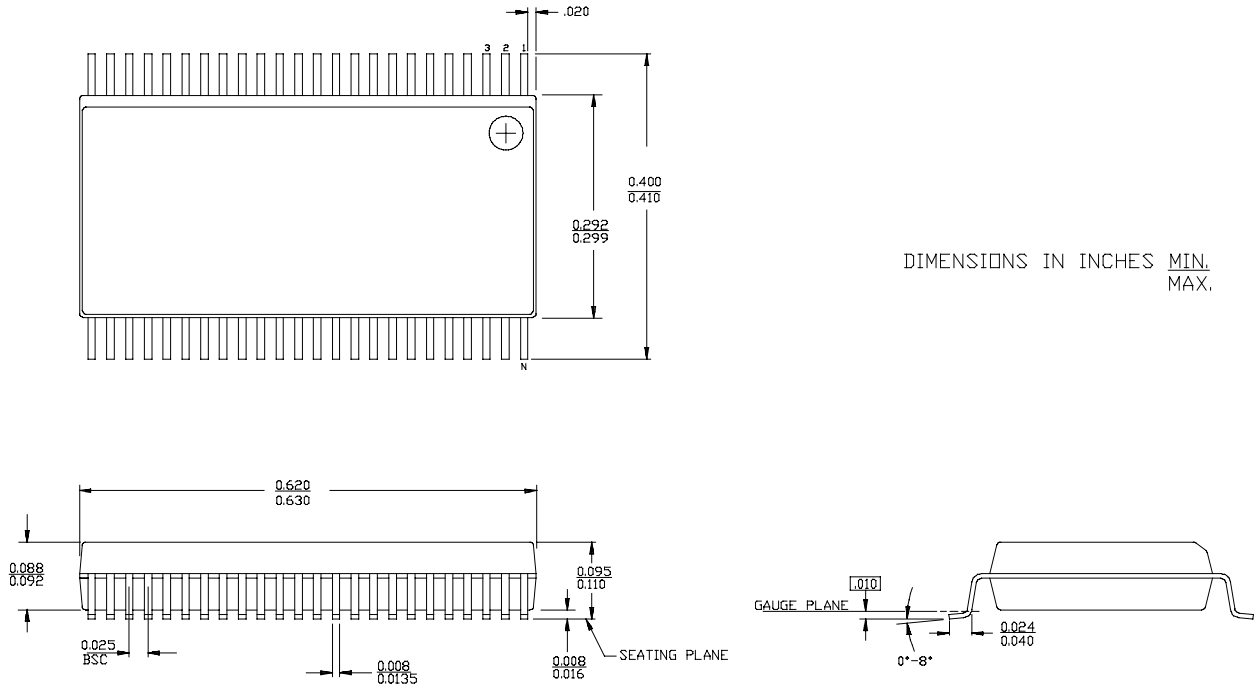
| Speed (ns) | Ordering Code          | Package Name | Package Type            | Operating Range |
|------------|------------------------|--------------|-------------------------|-----------------|
| 4.1        | CY74FCT163245CPACT     | Z48          | 48-Lead (240-Mil) TSSOP | Industrial      |
|            | CY74FCT163245CPVC/PVCT | O48          | 48-Lead (300-Mil) SSOP  |                 |
| 4.8        | CY74FCT163245APACT     | Z48          | 48-Lead (240-Mil) TSSOP | Industrial      |
|            | CY74FCT163245APVC/PVCT | O48          | 48-Lead (300-Mil) SSOP  |                 |

**Ordering Information CY74FCT163H245**

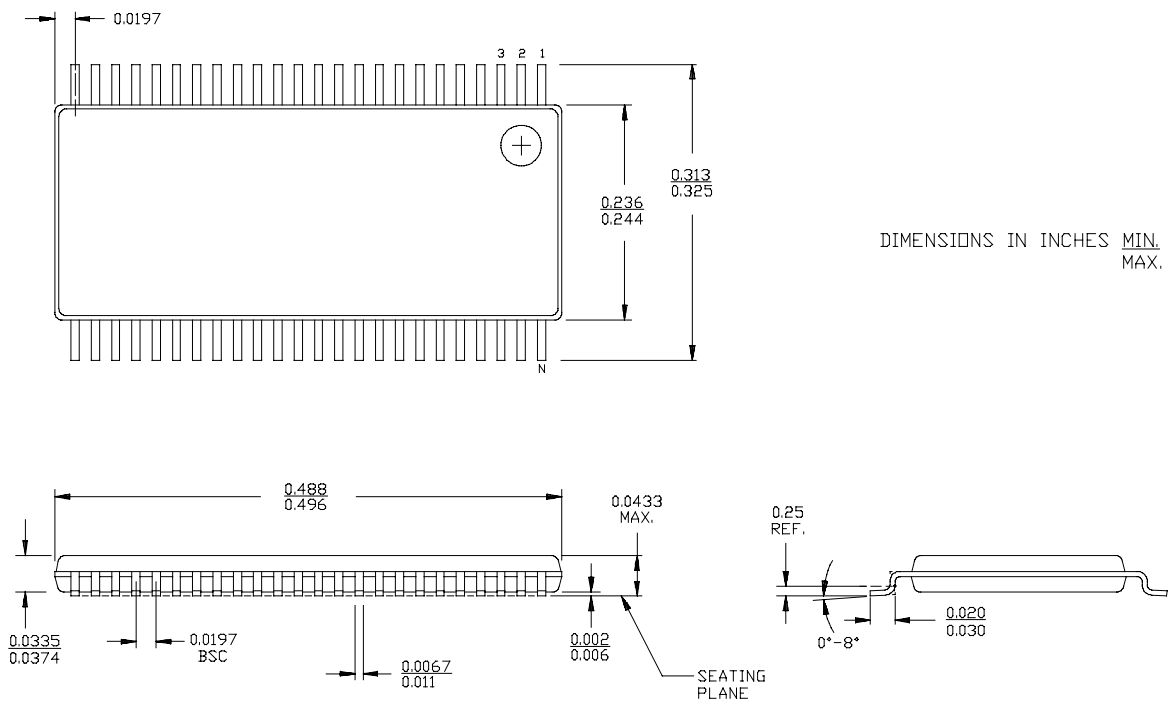
| Speed (ns) | Ordering Code      | Package Name | Package Type            | Operating Range |
|------------|--------------------|--------------|-------------------------|-----------------|
| 4.1        | 74FCT163H245CPACT  | Z48          | 48-Lead (240-Mil) TSSOP | Industrial      |
|            | CY74FCT163H245CPVC | O48          | 48-Lead (300-Mil) SSOP  |                 |
|            | 74FCT163H245CPVCT  | O48          | 48-Lead (300-Mil) SSOP  |                 |
| 4.8        | CY74FCT163H245APVC | O48          | 48-Lead (300-Mil) SSOP  | Industrial      |
|            | 74FCT163H245APVCT  | O48          | 48-Lead (300-Mil) SSOP  |                 |

**Package Diagrams**

**48-Lead Shrunken Small Outline Package O48**



**48-Lead Thin Shrunken Small Outline Package Z48**



**PACKAGING INFORMATION**

| Orderable Device   | Status <sup>(1)</sup> | Package Type | Package Drawing | Pins | Package Qty | Eco Plan <sup>(2)</sup> | Lead/Ball Finish | MSL Peak Temp <sup>(3)</sup> |
|--------------------|-----------------------|--------------|-----------------|------|-------------|-------------------------|------------------|------------------------------|
| 74FCT163H245APVCT  | OBSOLETE              | SSOP         | DL              | 48   |             | TBD                     | Call TI          | Call TI                      |
| 74FCT163H245CPACT  | OBSOLETE              | TSSOP        | DGG             | 48   |             | TBD                     | Call TI          | Call TI                      |
| 74FCT163H245CPVCT  | OBSOLETE              | SSOP         | DL              | 48   |             | TBD                     | Call TI          | Call TI                      |
| CY74FCT163245APAC  | OBSOLETE              | TSSOP        | DGG             | 48   |             | TBD                     | Call TI          | Call TI                      |
| CY74FCT163245APACT | OBSOLETE              | TSSOP        | DGG             | 48   |             | TBD                     | Call TI          | Call TI                      |
| CY74FCT163245APVC  | OBSOLETE              | SSOP         | DL              | 48   |             | TBD                     | Call TI          | Call TI                      |
| CY74FCT163245APVCT | OBSOLETE              | SSOP         | DL              | 48   |             | TBD                     | Call TI          | Call TI                      |
| CY74FCT163245CPAC  | OBSOLETE              | TSSOP        | DGG             | 48   |             | TBD                     | Call TI          | Call TI                      |
| CY74FCT163245CPACT | OBSOLETE              | TSSOP        | DGG             | 48   |             | TBD                     | Call TI          | Call TI                      |
| CY74FCT163245CPVC  | OBSOLETE              | SSOP         | DL              | 48   |             | TBD                     | Call TI          | Call TI                      |
| CY74FCT163245CPVCT | OBSOLETE              | SSOP         | DL              | 48   |             | TBD                     | Call TI          | Call TI                      |
| CY74FCT163H245APVC | OBSOLETE              | SSOP         | DL              | 48   |             | TBD                     | Call TI          | Call TI                      |
| CY74FCT163H245CPAC | OBSOLETE              | TSSOP        | DGG             | 48   |             | TBD                     | Call TI          | Call TI                      |
| CY74FCT163H245CPVC | OBSOLETE              | SSOP         | DL              | 48   |             | TBD                     | Call TI          | Call TI                      |

<sup>(1)</sup> The marketing status values are defined as follows:

**ACTIVE:** Product device recommended for new designs.

**LIFEBUY:** TI has announced that the device will be discontinued, and a lifetime-buy period is in effect.

**NRND:** Not recommended for new designs. Device is in production to support existing customers, but TI does not recommend using this part in a new design.

**PREVIEW:** Device has been announced but is not in production. Samples may or may not be available.

**OBSOLETE:** TI has discontinued the production of the device.

<sup>(2)</sup> Eco Plan - The planned eco-friendly classification: Pb-Free (RoHS) or Green (RoHS & no Sb/Br) - please check <http://www.ti.com/productcontent> for the latest availability information and additional product content details.

**TBD:** The Pb-Free/Green conversion plan has not been defined.

**Pb-Free (RoHS):** TI's terms "Lead-Free" or "Pb-Free" mean semiconductor products that are compatible with the current RoHS requirements for all 6 substances, including the requirement that lead not exceed 0.1% by weight in homogeneous materials. Where designed to be soldered at high temperatures, TI Pb-Free products are suitable for use in specified lead-free processes.

**Green (RoHS & no Sb/Br):** TI defines "Green" to mean Pb-Free (RoHS compatible), and free of Bromine (Br) and Antimony (Sb) based flame retardants (Br or Sb do not exceed 0.1% by weight in homogeneous material)

<sup>(3)</sup> MSL, Peak Temp. -- The Moisture Sensitivity Level rating according to the JEDEC industry standard classifications, and peak solder temperature.

**Important Information and Disclaimer:**The information provided on this page represents TI's knowledge and belief as of the date that it is provided. TI bases its knowledge and belief on information provided by third parties, and makes no representation or warranty as to the accuracy of such information. Efforts are underway to better integrate information from third parties. TI has taken and continues to take reasonable steps to provide representative and accurate information but may not have conducted destructive testing or chemical analysis on incoming materials and chemicals. TI and TI suppliers consider certain information to be proprietary, and thus CAS numbers and other limited information may not be available for release.

In no event shall TI's liability arising out of such information exceed the total purchase price of the TI part(s) at issue in this document sold by TI to Customer on an annual basis.

DL (R-PDSO-G\*\*)

PLASTIC SMALL-OUTLINE PACKAGE

48 PINS SHOWN



- NOTES: A. All linear dimensions are in inches (millimeters).  
 B. This drawing is subject to change without notice.  
 C. Body dimensions do not include mold flash or protrusion not to exceed 0.006 (0,15).  
 D. Falls within JEDEC MO-118



DGG (R-PDSO-G\*\*)

PLASTIC SMALL-OUTLINE PACKAGE

48 PINS SHOWN



- NOTES: A. All linear dimensions are in millimeters.  
 B. This drawing is subject to change without notice.  
 C. Body dimensions do not include mold protrusion not to exceed 0,15.  
 D. Falls within JEDEC MO-153

## IMPORTANT NOTICE

Texas Instruments Incorporated and its subsidiaries (TI) reserve the right to make corrections, modifications, enhancements, improvements, and other changes to its products and services at any time and to discontinue any product or service without notice. Customers should obtain the latest relevant information before placing orders and should verify that such information is current and complete. All products are sold subject to TI's terms and conditions of sale supplied at the time of order acknowledgment.

TI warrants performance of its hardware products to the specifications applicable at the time of sale in accordance with TI's standard warranty. Testing and other quality control techniques are used to the extent TI deems necessary to support this warranty. Except where mandated by government requirements, testing of all parameters of each product is not necessarily performed.

TI assumes no liability for applications assistance or customer product design. Customers are responsible for their products and applications using TI components. To minimize the risks associated with customer products and applications, customers should provide adequate design and operating safeguards.

TI does not warrant or represent that any license, either express or implied, is granted under any TI patent right, copyright, mask work right, or other TI intellectual property right relating to any combination, machine, or process in which TI products or services are used. Information published by TI regarding third-party products or services does not constitute a license from TI to use such products or services or a warranty or endorsement thereof. Use of such information may require a license from a third party under the patents or other intellectual property of the third party, or a license from TI under the patents or other intellectual property of TI.

Reproduction of information in TI data books or data sheets is permissible only if reproduction is without alteration and is accompanied by all associated warranties, conditions, limitations, and notices. Reproduction of this information with alteration is an unfair and deceptive business practice. TI is not responsible or liable for such altered documentation.

Resale of TI products or services with statements different from or beyond the parameters stated by TI for that product or service voids all express and any implied warranties for the associated TI product or service and is an unfair and deceptive business practice. TI is not responsible or liable for any such statements.

Following are URLs where you can obtain information on other Texas Instruments products and application solutions:

| <b>Products</b>  |  | <b>Applications</b> |  |
|------------------|--|---------------------|--|
| Amplifiers       | <a href="http://amplifier.ti.com">amplifier.ti.com</a>             | Audio               | <a href="http://www.ti.com/audio">www.ti.com/audio</a>                   |
| Data Converters  | <a href="http://dataconverter.ti.com">dataconverter.ti.com</a>     | Automotive          | <a href="http://www.ti.com/automotive">www.ti.com/automotive</a>         |
| DSP              | <a href="http://dsp.ti.com">dsp.ti.com</a>                         | Broadband           | <a href="http://www.ti.com/broadband">www.ti.com/broadband</a>           |
| Interface        | <a href="http://interface.ti.com">interface.ti.com</a>             | Digital Control     | <a href="http://www.ti.com/digitalcontrol">www.ti.com/digitalcontrol</a> |
| Logic            | <a href="http://logic.ti.com">logic.ti.com</a>                     | Military            | <a href="http://www.ti.com/military">www.ti.com/military</a>             |
| Power Mgmt       | <a href="http://power.ti.com">power.ti.com</a>                     | Optical Networking  | <a href="http://www.ti.com/opticalnetwork">www.ti.com/opticalnetwork</a> |
| Microcontrollers | <a href="http://microcontroller.ti.com">microcontroller.ti.com</a> | Security            | <a href="http://www.ti.com/security">www.ti.com/security</a>             |
|                  |  | Telephony           | <a href="http://www.ti.com/telephony">www.ti.com/telephony</a>           |
|                  |  | Video & Imaging     | <a href="http://www.ti.com/video">www.ti.com/video</a>                   |
|                  |  | Wireless            | <a href="http://www.ti.com/wireless">www.ti.com/wireless</a>             |

Mailing Address: Texas Instruments  
Post Office Box 655303 Dallas, Texas 75265