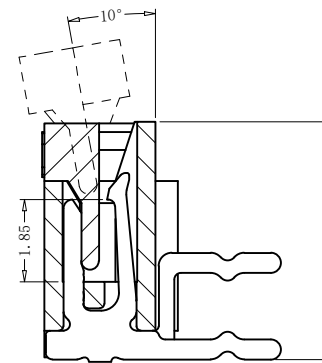
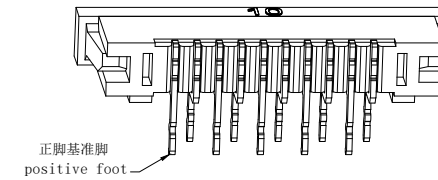
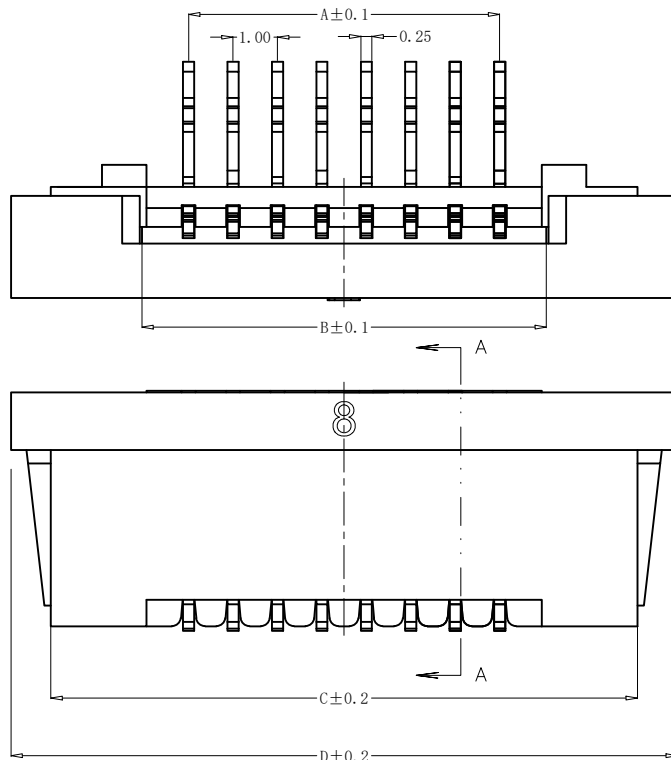
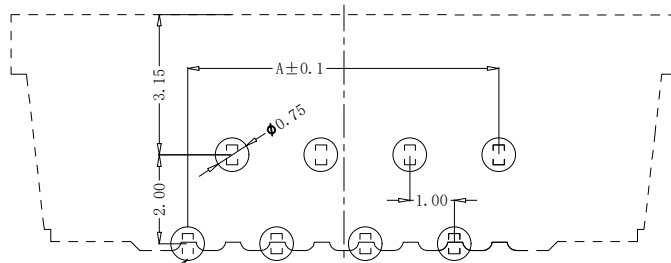


REV.	ECN NO.	LOCAS.	DESCRIPTION	DATE	DESIGN
A			NEW DRAWING	22.12.01	Jenply

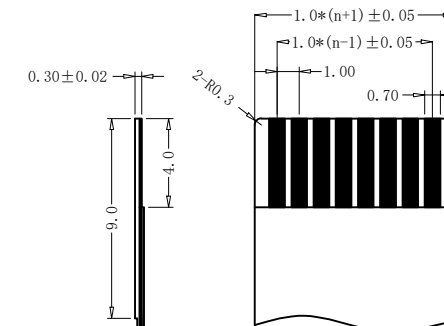


SECTION A-A

孔位	A	B	C	D
6	5	7.15	11.20	13.10
8	7	9.15	13.20	15.10
9	8	10.15	14.20	16.10
14	13	15.15	19.20	21.10
15	14	16.15	20.20	22.10
16	15	17.15	21.20	23.10
17	16	18.15	22.20	24.10
18	17	19.15	23.20	25.10
20	19	21.15	25.20	27.10
22	21	23.15	27.20	29.10
24	23	25.15	29.20	31.10
25	24	26.15	30.20	32.10
26	25	27.15	31.20	33.10
27	26	28.15	32.20	34.10
28	27	29.15	33.20	35.10
30	29	31.15	35.20	37.10



PC BOARD LAYOUT



PROPER CABLE (SCALE 2:1)

技术要求 (Technical Index):

1. 材质与表面处理 (Material And Finish):  
 基座 (Housing) and 盖子 (Cover): LCP UL94V-0 Nature Or Black;  
 端子 (Terminal): Phosphor Copper Au/Sn Plated;  
 焊片 (Solder): Copper Alloy Au/Sn Plated;
2. 工作温度 (Temperature range): -20° C ~ +85° C.
3. 额定电压 (Rated voltage): 50V, AC/DC.
4. 额定电流: 0.5A, AC/DC.
5. 接触电阻 (Contact resistance): ≤ 20mΩ.
6. 绝缘电阻 (Insulation resistance): ≥ 800MΩ.
7. 耐电压 (Withstanding Voltage): 500V AC/minute.

DESIGN:	Jenply	<b>深圳市钜硕电子有限公司</b> SHENZHEN JUSHUO ELECTRONIC CO.,LTD			
CHECK:	Ke Tian				
APPROVED:	Youquan Xu	TITLE: FPC 1.0mm 双排弯插 抽拉下接带锁 (正脚)			
DIM	TOL	DIM	TOL	PART NO. AFA22-S*WCC-00	
X.	±0.25	X°	±3.0°	REV. A    SCALE: N/A    UNIT: mm    SHEET: 1/1	
X.X	±0.20	X.X°			
X.XX	±0.15	X.XX°			
X.XXX		X.XXX°			