

ZVR 氧化锌压敏电阻器(超高能产品)

ZVR Zinc oxide varistors (Ultra high energy products)

特性 Feature




- 电压范围 Wide operation voltage range from 18V to 1800V.
- 工作温度 Operating Temperature: -40℃~85℃
- 存储温度 Storage Temperature: -10℃~40℃

应用 Applications

氧化锌压敏电阻器是一种电阻值对外加电压十分敏感的元件，它广泛应用于电子电器设备的瞬时过电压保护和浪涌吸收。

Zinc oxide varistor is a sort of sensitive component which resistance value can vary with the applied voltage, it is widely used in the instantaneous overvoltage protection and surge absorption of Electronic-electrical equipment.

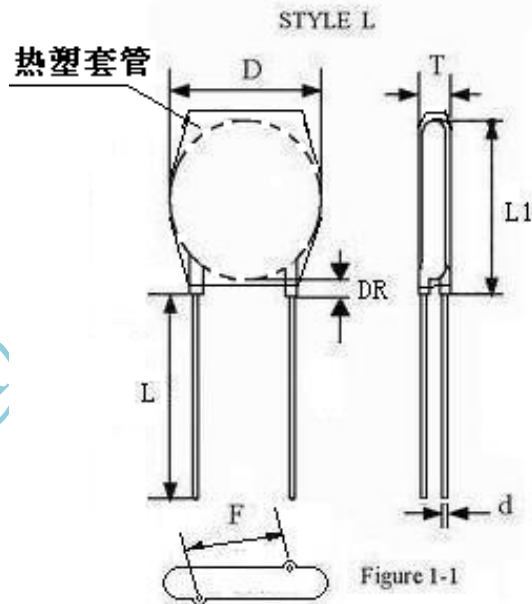
使用标准 Applicable Standard

通过认证 APPROVAL	认证组织 ORGANIZATION	标准 SAFTY STANDARDS	证书 CERTIFICATE NO.
	UL CUL	UL1449	UL E321851
	VDE	DIN EN 61051-1:2009 IEC 61051-1:2007 IEC 61051-2:1991 IEC 61051-2(ed.1);am1:2009-05 IEC 61051-2-2:1991	VDE 40027789
	CQC	GB/T10193-1997 GB/T10194-1997 GB4943.1-2011 GB8898-2011	CQC05001012670

产品型号 Part Number

<p>产品型号 Part No.: ZVR 氧化锌压敏电阻</p> <p>产品尺寸 Size code: 代号: 芯片直径 Code disc diameter</p> <table border="0"> <tr> <td>05</td> <td>5mm ± 0.5mm</td> <td>产品直径 (D) product diameter</td> <td>6mm ± 1mm</td> </tr> <tr> <td>07</td> <td>7mm ± 0.5mm</td> <td></td> <td>8mm ± 1mm</td> </tr> <tr> <td>10</td> <td>12mm ± 0.5mm</td> <td></td> <td>13mm ± 1.5mm</td> </tr> <tr> <td>14</td> <td>16mm ± 0.5mm</td> <td></td> <td>17mm ± 1.5mm</td> </tr> <tr> <td>20</td> <td>20mm ± 0.5mm</td> <td></td> <td>21mm ± 1.5mm</td> </tr> </table> <p>产品类别代码 Shape code: 代号 D: 圆片通用型产品 D: disc for general</p> <p>称压敏电压 varistor voltage: For example: 180=18x10⁰ 561=56x10¹ 102=10x10²</p>	05	5mm ± 0.5mm	产品直径 (D) product diameter	6mm ± 1mm	07	7mm ± 0.5mm		8mm ± 1mm	10	12mm ± 0.5mm		13mm ± 1.5mm	14	16mm ± 0.5mm		17mm ± 1.5mm	20	20mm ± 0.5mm		21mm ± 1.5mm	<p>ZVR 10 D 561 K L 8 3 7 □</p> <p>内部管理代码: internal manage code DOG 加带黑色热塑套管的超高能产品</p> <p>引线间距 lead space: 5=5.0±0.5mm 7/J=7.5±0.5mm 0=10.0±0.5mm</p> <p>引线长度/包装方法 lead length/package: 3=3.5±0.5mm B= min. 25mm C=3.2±0.5mm F=12.7mm 编带/扇折, U=15.0mm 编带/扇折</p> <p>引线直径 lead diameter: CP 线: 6=0.58±0.04mm 8=0.78±0.05mm 0=1.00±0.08mm</p> <p>引线形状代码 lead style: L 型 见引线形状 see the lead style</p> <p>压敏电压允许偏差 Varistor voltage tolerance: J=±5% K=±10% M=±20%</p>
05	5mm ± 0.5mm	产品直径 (D) product diameter	6mm ± 1mm																		
07	7mm ± 0.5mm		8mm ± 1mm																		
10	12mm ± 0.5mm		13mm ± 1.5mm																		
14	16mm ± 0.5mm		17mm ± 1.5mm																		
20	20mm ± 0.5mm		21mm ± 1.5mm																		

脚型 Lead style



L 型产品 DR ≤ 3mm

规格 Specification

SHM 产品代码 SHM Part no.	压敏电压 Varistor Voltage	最大允许工作电压 Maximum Operating Voltage		最大限制电压 Maximum Clamping Voltage		最大峰值电流 Maximum Peak current 8/20 μ s Ip (A)		产品尺寸 dimensions (mm)				
		(V)	AC (V)	DC (V)	VC (V)	Ip (A)	1 Time	2 Time	直径 D (mm)	厚度 Tmax (mm)	引线间距 F(mm)	引线直径 d (mm)
ZVR10D561KL837D0G	560	356	468	925	25	4000	2500	13 \pm 1.5	6.4	7.5	0.78	3.5

标志 Marking

例如 e. g

超高能压敏电阻器	
正面 Front	
反面 Back	
丝印说明	
ZVR	氧化锌压敏电阻器 Zinc oxide varistor
10	最大芯片直径 Max diameter of disk (mm)
D	圆片型 Disk-Type
561	标称压敏电压 Varistor voltage
K	压敏电阻公差 Varistor Tolerance。J:5%,K:10%,F:20%
G	超高能产品 Ultra high energy products
SHM	商标 Trademark
背面标志	安规认证标志 Product Safety Certification Mark