

ZVR 氧化锌压敏电阻器 (标准产品)

ZVR Zinc oxide varistors (Standard product)

特性 Feature




- 电压范围 Wide operation voltage range from 18V to 1800V.
- 工作温度 Operating Temperature: -40℃~85℃
- 存储温度 Storage Temperature: -10℃~40℃

应用 Applications

氧化锌压敏电阻器是一种电阻值对外加电压十分敏感的元件，它广泛应用于电子电器设备的瞬时过电压保护和浪涌吸收。

Zinc oxide varistor is a sort of sensitive component which resistance value can vary with the applied voltage, it is widely used in the instantaneous overvoltage protection and surge absorption of Electronic-electrical equipment.

使用标准 Applicable Standard

通过认证 APPROVAL	认证组织 ORGANIZATION	标准 SAFTY STANDARDS	证书 CERTIFICATE NO.
	UL CUL	UL1449	UL E321851
	VDE	DIN EN 61051-1:2009 IEC 61051-1:2007 IEC 61051-2:1991 IEC 61051-2(ed.1);am1:2009-05 IEC 61051-2-2:1991	VDE 40027789
	CQC	GB/T10193-1997 GB/T10194-1997 GB4943.1-2011 GB8898-2011	CQC05001012670

产品型号 Part Number

产品型号 Part No.: ZVR 07 D 561 K P 6 V 7 □

ZVR 氧化锌压敏电阻

产品尺寸 Size code:

代号 Code	芯片直径 disc diameter	产品直径(D) product diameter
05	5mm ± 0.5mm	6mm ± 1mm
07	7mm ± 0.5mm	8mm ± 1mm
10	10mm ± 0.5mm	11mm ± 1.5mm
14	14mm ± 0.5mm	15mm ± 1.5mm
20	20mm ± 0.5mm	21mm ± 1.5mm

产品类别代码 Shape code: D: 圆片通用型产品
D: disc for general

称压敏电压 varistor voltage:
For example:
180=18x10⁰ 561=56x10¹ 102=10x10²

内部管理代码: internal manage code

引线间距 lead space:
5=5.0±0.5mm 7/J=7.5±0.5mm 0=10.0±0.5mm

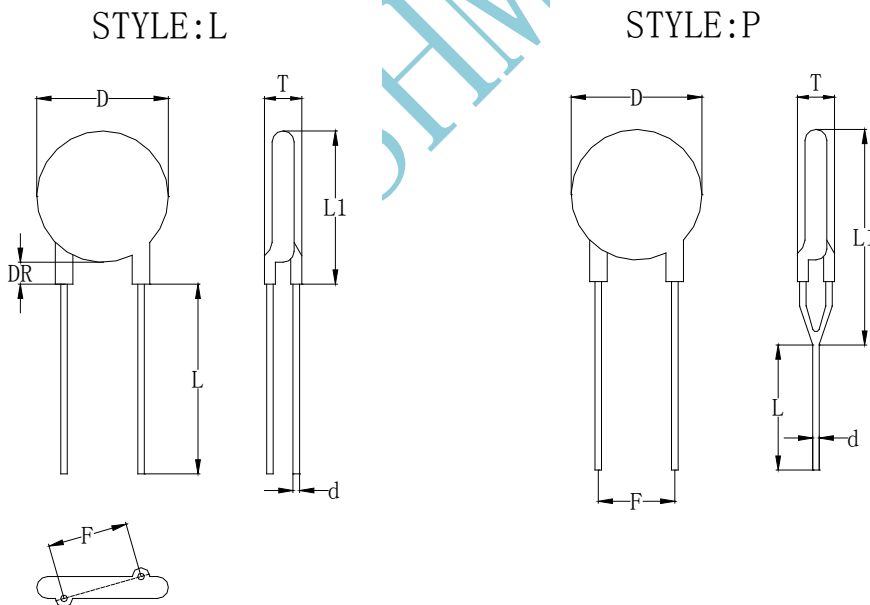
引线长度/包装方法 lead length/package:
3=3.5±0.5mm B= min. 25mm C=3.2±0.5mm
F=12.7mm 编带/扇折, U=15.0mm 编带/扇折

引线直径 lead diameter:
CP 线:
6=0.58±0.04mm 8=0.78±0.05mm
0=1.00±0.08mm

引线形状代码 lead style:
L, P 型 见引线形状 see the lead style

压敏电压允许偏差 Varistor voltage tolerance:
J=±5% K=±10% M=±20%

脚型 Lead style



L 型产品 DR ≤ 3mm

规格 Specification

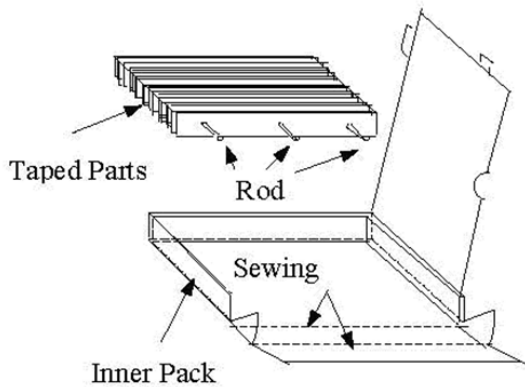
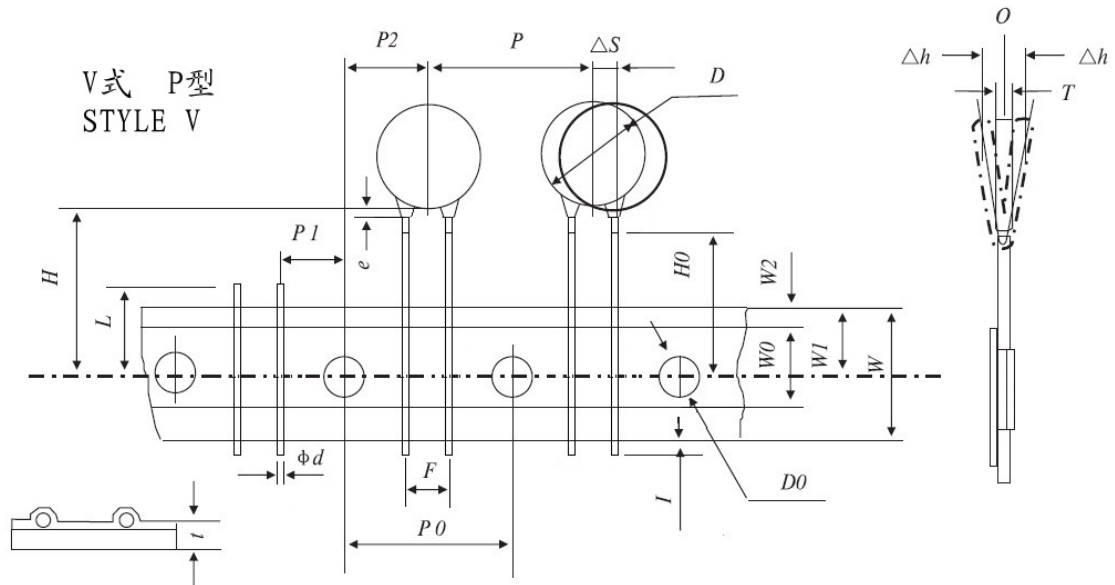
SHM 产品代码 SHM Part no.	压敏电压 Varistor Voltage (V)	最大允许工作电压 Maximum Operating Voltage		最大限制电压 Maximum Clamping Voltage		最大峰值电流 Maximum Peak current 8/20 μ s Ip (A)		产品尺寸 dimensions (mm)				
		AC (V)	DC (V)	VC (V)	Ip (A)	1 Time	2 Time	直径 D (mm)	厚度 Tmax (mm)	引线间距 F(mm)	引线直径 d (mm)	引线长度 L (mm)/编带方式
ZVR07D561KP6V7A0	560	356	468	925	10	1250	800	8 \pm 1	6.2	7.5	0.58	V 编带
ZVR10D681KL8UJA0	680	420	565	1120	25	2500	1750	11 \pm 1.5	6.8	7.5	0.78	U 编带

标志 Marking

例如 e.g

标准压敏电阻器	
正面 Front	
反面 Back	
丝印说明	
ZVR	氧化锌压敏电阻器 Zinc oxide varistor
07	最大芯片直径 Max diameter of disk (mm)
D	圆片型 Disk-Type
561	标称压敏电压 Varistor voltage
K	压敏电阻公差 Varistor Tolerance。J:5%, K:10%, F:20%
SHM	商标 Trademark
背面标志	安规认证标志 Product Safety Certification Mark

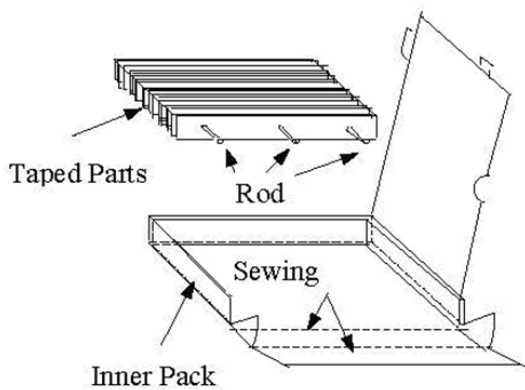
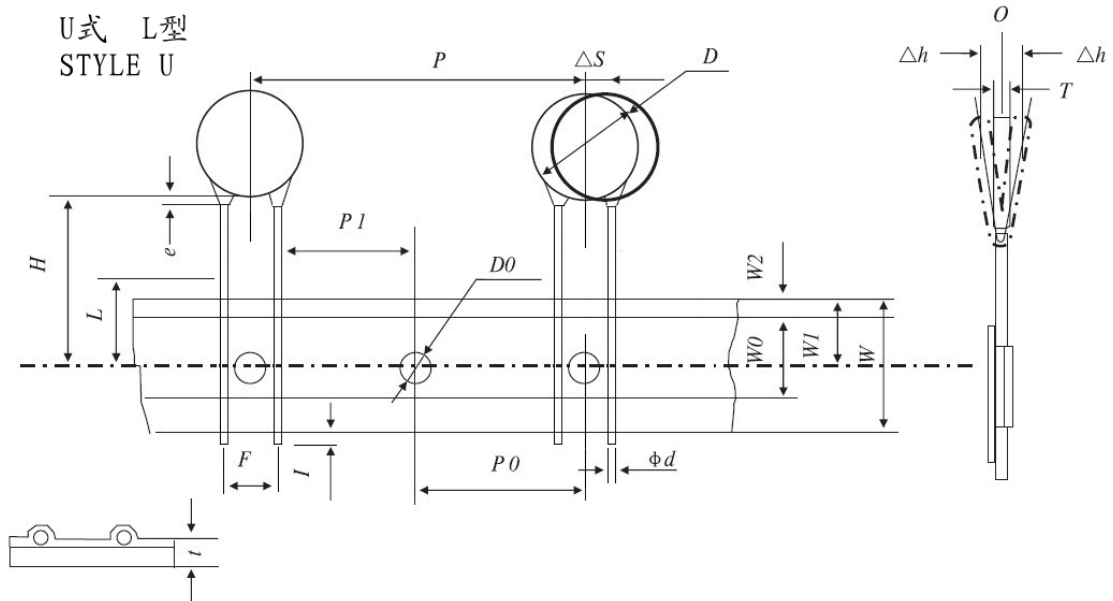
TAPING STYLE V



- 1.*打弯脚型以 H0 为准。
For kink lead only.
- 2.*直脚产品以 H 为准。
For straight lead only.

Symbol	Dimension(mm)
P0	15.0±0.2
P	15.0±1.0
F	7.5±0.5
P1	3.75±1.0
P2	7.5±1.5
H0	16.0±1.0* ¹
H	20.0±1.0* ²
W	18.0±0.5
W0	8.0min.
W1	9.0±0.5
W2	3.0max.
t	0.7±0.2
D	To comply with individual sheet
D0	4.0±0.2
d	To comply with individual sheet
l	2.0max.
T	To comply with individual sheet
ΔS	1.0max.
Δh	1.0max.

TAPING STYLE U



- 1.*打弯脚型以 H0 为准。
For kink lead only.
2.*直脚产品以 H 为准。
For straight lead only.

Symbol	Dimension(mm)
P0	12.7±1.0
P	25.4±2.0
F	7.5±0.3
P1	8.95±1.5
P2	/
H0	16.0±1.0*1
H	20.0±1.0*2
W	18.0±0.5
W0	8.0min.
W1	9.0±0.5
W2	3.0max.
t	0.7±0.2
D	To comply with individual sheet
D0	4.0±0.2
d	To comply with individual sheet
l	2.0max.
T	To comply with individual sheet
ΔS	1.0max.
Δh	1.0max.