

# 54ACT16833, 74ACT16833 DUAL 8-BIT TO 9-BIT PARITY BUS TRANSCEIVERS

SCAS166A – JUNE 1990 – REVISED APRIL 1996

- Members of the Texas Instruments *Widebus™* Family
- Inputs Are TTL-Voltage Compatible
- Parity Error Flag With Parity Generator/Checker
- Register for Storage of the Parity Error Flag
- Flow-Through Architecture Optimizes PCB Layout
- Distributed  $V_{CC}$  and GND Pin Configuration Minimizes High-Speed Switching Noise
- *EPIC™* (Enhanced-Performance Implanted CMOS) 1- $\mu$ m Process
- 500-mA Typical Latch-Up Immunity at 125°C
- Package Options Include 300-mil Shrink Small-Outline (DL) Packages Using 25-mil Center-to-Center Pin Spacings and 380-mil Fine-Pitch Ceramic Flat (WD) Packages Using 25-mil Center-to-Center Pin Spacings

## description

The 'ACT16833 consist of two noninverting 8-bit to 9-bit parity bus transceivers and are designed for communication between data buses. For each transceiver, when data is transmitted from the A bus to the B bus, an odd-parity bit is generated and output on the parity I/O pin (1PARITY or 2PARITY). When data is transmitted from the B bus to the A bus, 1PARITY or 2PARITY is configured as an input and combined with the B-input data to generate an active-low error flag if odd parity is not detected.

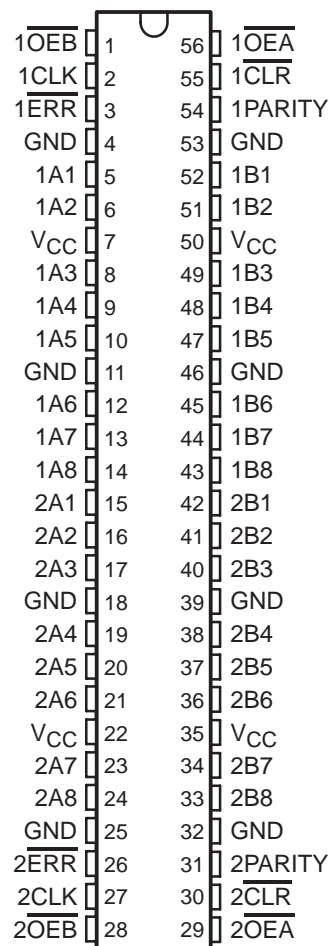
The error ( $\overline{1ERR}$  or  $\overline{2ERR}$ ) output is configured as an open-collector output. The B-to-A parity error flag is clocked into  $\overline{1ERR}$  or  $\overline{2ERR}$  on the low-to-high transition of the clock (1CLK or 2CLK) input.  $\overline{1ERR}$  or  $\overline{2ERR}$  is cleared (set high) by taking the clear ( $\overline{1CLR}$  or  $\overline{2CLR}$ ) input low.

The output-enable ( $\overline{OEA}$  and  $\overline{OEB}$ ) inputs can be used to disable the device so that the buses are effectively isolated. When both  $\overline{OEA}$  and  $\overline{OEB}$  are low, data is transferred from the A bus to the B bus and inverted parity is generated. Inverted parity is a forced error condition that gives the designer more system diagnostic capability.

The 74ACT16833 is packaged in TI's shrink small-outline package, which provides twice the I/O pin count and functionality of standard small-outline packages in the same printed-circuit-board area.

The 54ACT16833 is characterized for operation over the full military temperature range of -55°C to 125°C. The 74ACT16833 is characterized for operation from -40°C to 85°C.

54ACT16833 . . . WD PACKAGE  
74ACT16833 . . . DL PACKAGE  
(TOP VIEW)



Please be aware that an important notice concerning availability, standard warranty, and use in critical applications of Texas Instruments semiconductor products and disclaimers thereto appears at the end of this data sheet.

EPIC and Widebus are trademarks of Texas Instruments Incorporated.

UNLESS OTHERWISE NOTED this document contains PRODUCTION DATA information current as of publication date. Products conform to specifications per the terms of Texas Instruments standard warranty. Production processing does not necessarily include testing of all parameters.

 **TEXAS  
INSTRUMENTS**

POST OFFICE BOX 655303 • DALLAS, TEXAS 75265  
POST OFFICE BOX 1443 • HOUSTON, TEXAS 77251-1443

Copyright © 1996, Texas Instruments Incorporated

# 54ACT16833, 74ACT16833 DUAL 8-BIT TO 9-BIT PARITY BUS TRANSCEIVERS

SCAS166A – JUNE 1990 – REVISED APRIL 1996

FUNCTION TABLE

INPUTS						OUTPUT AND I/O				FUNCTION
$\overline{OEB}$	$\overline{OEA}$	$\overline{CLR}$	CLK	Ai Σ OF H	Bi† Σ OF H	A	B	PARITY	$\overline{ERR}‡$	
L	H	X	X	Odd Even	NA	NA	A	L H	NA	A data to B bus and generate parity
H	L	H	↑	NA	Odd Even	B	NA	NA	H L	B data to A bus and check parity
X	X	L	X	X	X	X	NA	NA	H	Check error-flag register
H	H	H	No↑	X	X	Z	Z	Z	NC	Isolation§
		L	No↑	X					H	
		H	↑	Odd					H	
L	L	X	X	Odd	NA	NA	A	H	NA	A data to B bus and generate inverted parity
				Even				L		

NA = not applicable, NC = no change, X = don't care

† Summation of high-level inputs includes PARITY along with Bi inputs.

‡ Output states shown assume ERR was previously high.

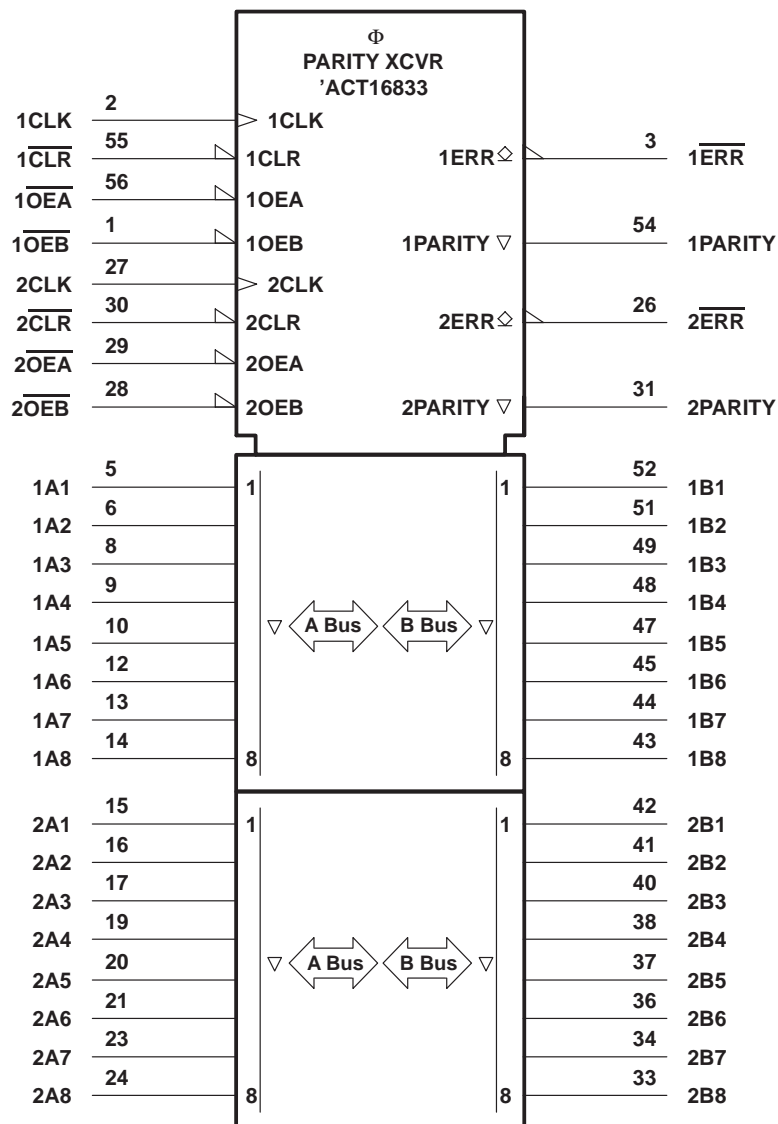
§ In this mode,  $\overline{ERR}$  (when clocked) shows inverted parity of the A bus.



# 54ACT16833, 74ACT16833 DUAL 8-BIT TO 9-BIT PARITY BUS TRANSCEIVERS

SCAS166A – JUNE 1990 – REVISED APRIL 1996

logic symbol†

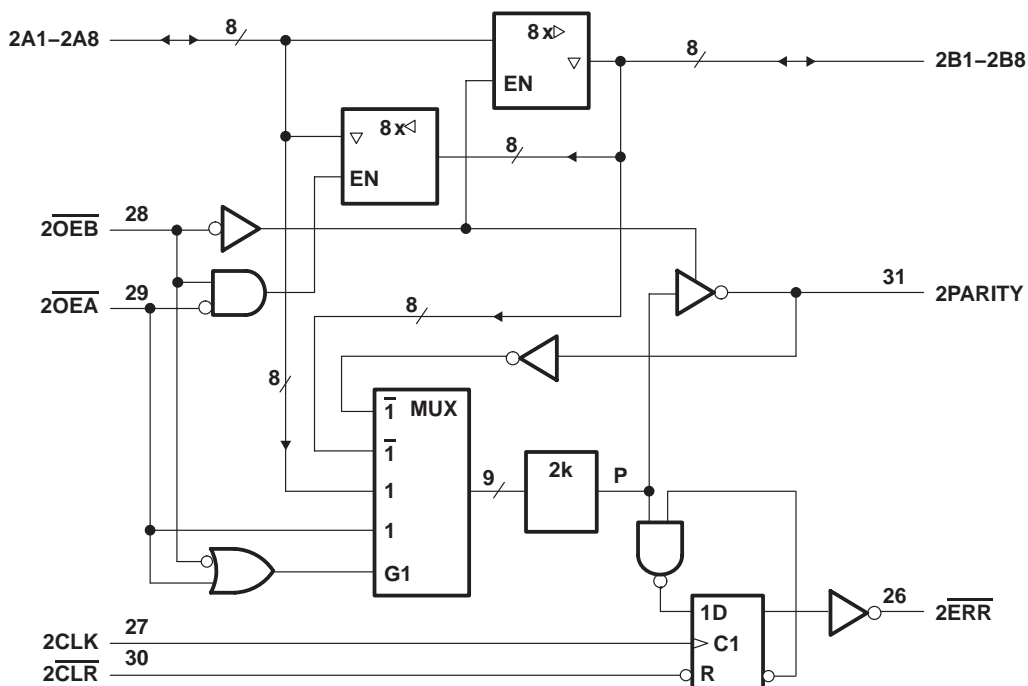
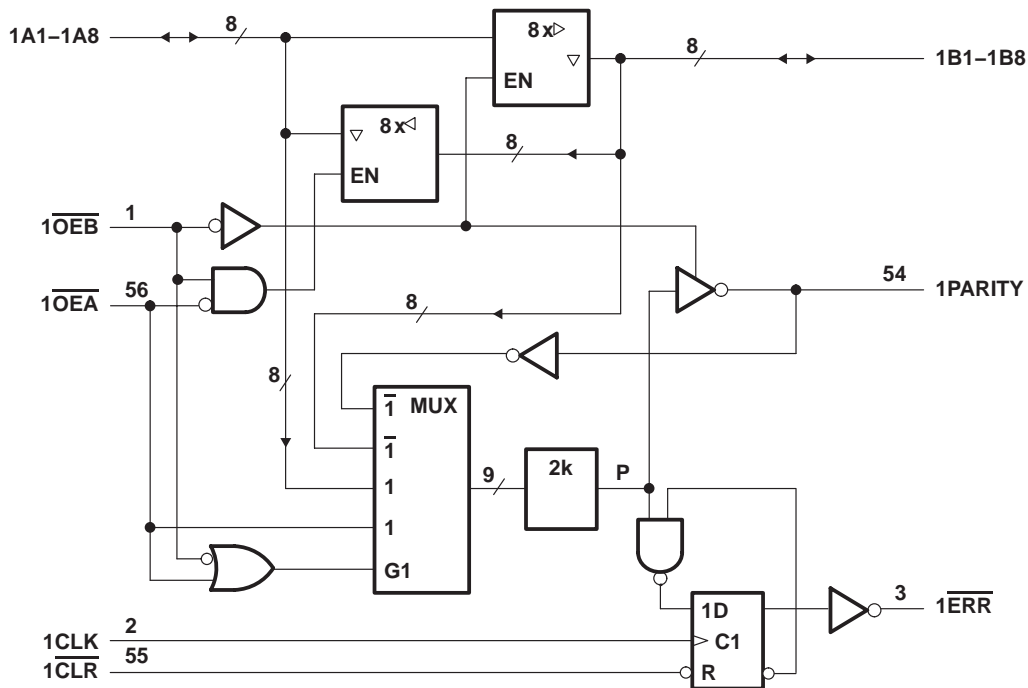


† This symbol is in accordance with ANSI/IEEE Std 91-1984 and IEC Publication 617-12.

# 54ACT16833, 74ACT16833 DUAL 8-BIT TO 9-BIT PARITY BUS TRANSCEIVERS

SCAS166A – JUNE 1990 – REVISED APRIL 1996

## logic diagram (positive logic)



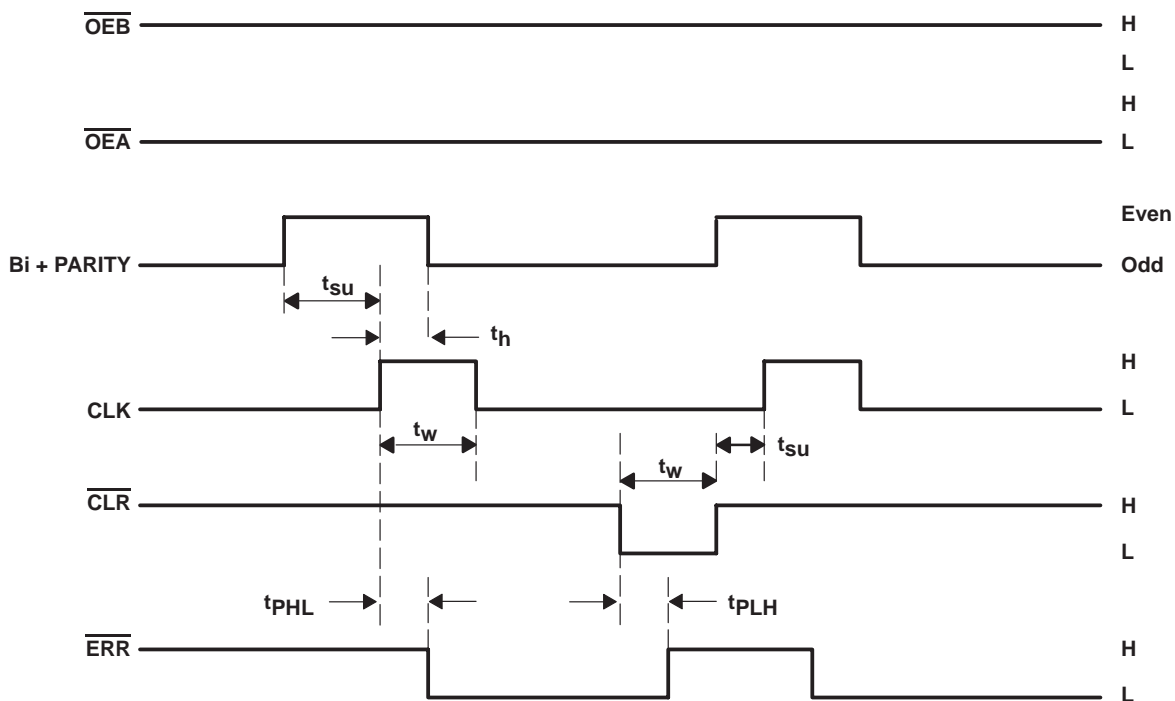
ERROR FLAG FUNCTION TABLE

INPUTS		INTERNAL TO DEVICE	OUTPUT PRE-STATE	OUTPUT ERR	FUNCTION
CLR	CLK	POINT P‡	ERR <sub>n-1</sub> †		
H	↑	H	H	H	Sample
H	↑	X	L	L	
H	↑	L	X	L	
L	X	X	X	H	Clear

† The state of ERR before any changes at CLR, CLK, or point P

‡ Location of point P is shown on local diagram.

timing waveforms, error flag



absolute maximum ratings over operating free-air temperature range (unless otherwise noted)§

Supply voltage range, $V_{CC}$	-0.5 V to 7 V
Input voltage range, $V_I$ (see Note 1)	-0.5 V to $V_{CC} + 0.5$ V
Output voltage range, $V_O$ (see Note 1)	-0.5 V to $V_{CC} + 0.5$ V
Input clamp current, $I_{IK}$ ( $V_I < 0$ or $V_I > V_{CC}$ )	$\pm 20$ mA
Output clamp current, $I_{OK}$ ( $V_O < 0$ or $V_O > V_{CC}$ )	$\pm 50$ mA
Continuous output current, $I_O$ ( $V_O = 0$ to $V_{CC}$ )	$\pm 50$ mA
Continuous current through $V_{CC}$ or GND	$\pm 450$ mA
Maximum power package dissipation at $T_A = 55^\circ\text{C}$ (in still air) (see Note 2): DL package	1.4 W
Storage temperature range, $T_{stg}$	$-65^\circ\text{C}$ to $150^\circ\text{C}$

§ Stresses beyond those listed under "absolute maximum ratings" may cause permanent damage to the device. These are stress ratings only, and functional operation of the device at these or any other conditions beyond those indicated under "recommended operating conditions" is not implied. Exposure to absolute-maximum-rated conditions for extended periods may affect device reliability.

- NOTES: 1. The input and output voltage ratings may be exceeded if the input and output current ratings are observed.  
 2. The maximum package power dissipation is calculated using a junction temperature of  $150^\circ\text{C}$  and a board trace length of 750 mils.



# 54ACT16833, 74ACT16833 DUAL 8-BIT TO 9-BIT PARITY BUS TRANSCEIVERS

SCAS166A – JUNE 1990 – REVISED APRIL 1996

## recommended operating conditions (see Note 3)

		54ACT16833			74ACT16833			UNIT
		MIN	NOM	MAX	MIN	NOM	MAX	
V <sub>CC</sub>	Supply voltage	4.5	5	5.5	4.5	5	5.5	V
V <sub>IH</sub>	High-level input voltage	2			2			V
V <sub>IL</sub>	Low-level input voltage			0.8			0.8	V
V <sub>I</sub>	Input voltage	0		V <sub>CC</sub>	0		V <sub>CC</sub>	V
V <sub>O</sub>	Output voltage	0		V <sub>CC</sub>	0		V <sub>CC</sub>	V
I <sub>OH</sub>	High-level output current			-24			-24	mA
I <sub>OL</sub>	Low-level output current			24			24	mA
Δt/Δv	Input transition rise or fall rate	0		10	0		10	ns/V
T <sub>A</sub>	Operating free-air temperature	-55		125	-40		85	°C

NOTE 3: Unused inputs must be held high or low to prevent them from floating.

## electrical characteristics over recommended operating free-air temperature range (unless otherwise noted)

PARAMETER		TEST CONDITIONS	V <sub>CC</sub>	T <sub>A</sub> = 25°C			54ACT16833		74ACT16833		UNIT
				MIN	TYP	MAX	MIN	MAX	MIN	MAX	
I <sub>OH</sub>	ERR	V <sub>O</sub> = V <sub>CC</sub>	5.5 V		0.5		5		5	μA	
V <sub>OH</sub>	All outputs except ERR	I <sub>OH</sub> = -50 μA	4.5 V	4.4		4.4		4.4		V	
			5.5 V	5.4		5.4		5.4			
		I <sub>OH</sub> = -24 mA	4.5 V	3.94		3.8		3.8			
			5.5 V	4.94		4.8		4.8			
		I <sub>OH</sub> = -75 mA†	5.5 V			3.85		3.85			
V <sub>OL</sub>		I <sub>OL</sub> = 50 μA	4.5 V		0.1		0.1		0.1	V	
			5.5 V		0.1		0.1		0.1		
		I <sub>OL</sub> = 24 mA	4.5 V		0.36		0.44		0.44		
			5.5 V		0.36		0.44		0.44		
		I <sub>OL</sub> = 75 mA†	5.5 V				1.65		1.65		
I <sub>I</sub>	A or B ports	V <sub>I</sub> = V <sub>CC</sub> or GND	5.5 V		±0.1		±1		±1	μA	
I <sub>OZ</sub> ‡	Control inputs	V <sub>O</sub> = V <sub>CC</sub> or GND	5.5 V		±0.5		±5		±5	μA	
I <sub>CC</sub>		V <sub>I</sub> = V <sub>CC</sub> or GND, I <sub>O</sub> = 0	5.5 V		8		80		80	μA	
ΔI <sub>CC</sub> §		One input at 3.4 V, Other inputs at V <sub>CC</sub> or GND	5.5 V		0.9		1		1	mA	
C <sub>i</sub>	Control inputs	V <sub>I</sub> = V <sub>CC</sub> or GND	5 V		3.5					pF	
C <sub>io</sub>	A or B ports, PARITY	V <sub>O</sub> = V <sub>CC</sub> or GND	5 V		11.5					pF	

† Not more than one output should be tested at a time, and the duration of the test should not exceed 10 ms.

‡ For I/O ports, the parameter I<sub>OZ</sub> includes the input leakage current.

§ This is the increase in supply current for each input that is at one of the specified TTL voltage levels rather than 0 V or V<sub>CC</sub>.

PRODUCT PREVIEW information concerns products in the formative or design phase of development. Characteristic data and other specifications are design goals. Texas Instruments reserves the right to change or discontinue these products without notice.



POST OFFICE BOX 655303 • DALLAS, TEXAS 75265  
POST OFFICE BOX 1443 • HOUSTON, TEXAS 77251-1443

# 54ACT16833, 74ACT16833 DUAL 8-BIT TO 9-BIT PARITY BUS TRANSCEIVERS

SCAS166A – JUNE 1990 – REVISED APRIL 1996

**timing requirements over recommended operating free-air temperature range,  
V<sub>CC</sub> = 5 V ± 0.5 V (unless otherwise noted) (see Figure 1 and timing waveforms)**

			T <sub>A</sub> = 25°C		54ACT16833		74ACT16833		UNIT
			MIN	MAX	MIN	MAX	MIN	MAX	
t <sub>w</sub>	Pulse duration	CLK high or low	4		4		4		ns
		$\overline{\text{CLR}}$ low	4		4		4		
t <sub>su</sub>	Setup time before CLK↑	Bi + PARITY	7.5		7.5		7.5		ns
		$\overline{\text{CLR}}$ inactive	1.5		1.5		1.5		
t <sub>h</sub>	Hold time, Bi + PARITY low after CLK↑		0		0		0		ns

**switching characteristics over recommended operating free-air temperature range,  
V<sub>CC</sub> = 5 V ± 0.5 V (unless otherwise noted) (see Figure 1 and timing waveforms)**

PARAMETER	FROM (INPUT)	TO (OUTPUT)	T <sub>A</sub> = 25°C			54ACT16833		74ACT16833		UNIT
			MIN	TYP	MAX	MIN	MAX	MIN	MAX	
t <sub>PLH</sub>	A or B	B or A	4	7.2	9.2	4	10.4	4	10.4	ns
t <sub>PHL</sub>			3.2	6.6	9.6	3.2	10.7	3.2	10.7	
t <sub>PLH</sub>	A	PARITY	3.9	7.9	12	3.9	13.5	3.9	13.5	ns
t <sub>PHL</sub>			4.2	8.3	12.4	4.2	13.8	4.2	13.8	
t <sub>PZH</sub>	$\overline{\text{OEB}}$ or $\overline{\text{OEA}}$	A or B	3.1	6.7	10.1	3.1	11.2	3.1	11.2	ns
t <sub>PZL</sub>			3.8	7.9	11.6	3.8	13	3.8	13	
t <sub>PHZ</sub>	$\overline{\text{OEB}}$ or $\overline{\text{OEA}}$	A or B	5.5	7.8	10	5.5	10.8	5.5	10.8	ns
t <sub>PLZ</sub>			5	7.1	9.3	5	10.1	5	10.1	
t <sub>PLH</sub>	$\overline{\text{CLR}}$	$\overline{\text{ERR}}$	10.7	13.1	15.4	10.7	15.8	10.7	15.8	ns
t <sub>PHL</sub>	CLK		4.6	7.8	10.3	4.6	11.6	4.6	11.6	
t <sub>PLH</sub>	$\overline{\text{OEA}}$	PARITY	4	8	11.8	4	13.2	4	13.2	ns
t <sub>PHL</sub>			4.3	8.5	12.3	4.3	13.6	4.3	13.6	
t <sub>PZH</sub>	$\overline{\text{OEB}}$	PARITY	2.6	5.7	8.5	2.6	9.5	2.6	9.5	ns
t <sub>PZL</sub>			3.4	6.8	9.8	3.4	10.7	3.4	10.7	
t <sub>PHZ</sub>	$\overline{\text{OEB}}$	PARITY	5.6	7.9	9.5	5.6	10.2	5.6	10.2	ns
t <sub>PLZ</sub>			5.1	7.2	9.1	5.1	9.7	5.1	9.7	

**operating characteristics, V<sub>CC</sub> = 5 V, T<sub>A</sub> = 25°C**

PARAMETER			TEST CONDITIONS		TYP	UNIT
C <sub>pd</sub>	Power dissipation capacitance per transceiver	Outputs enabled	A to B	CL = 50 pF, f = 1 MHz	64	pF
			B to A		72	
		Outputs disabled	A to B		6	
			B to A		10.5	

PRODUCT PREVIEW information concerns products in the formative or design phase of development. Characteristic data and other specifications are design goals. Texas Instruments reserves the right to change or discontinue these products without notice.

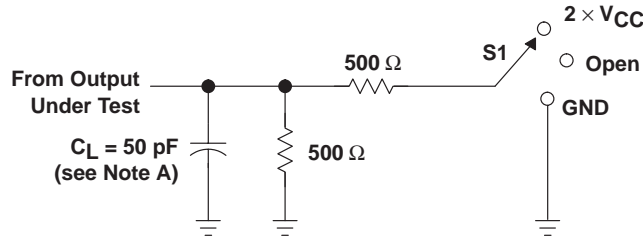


POST OFFICE BOX 655303 • DALLAS, TEXAS 75265  
POST OFFICE BOX 1443 • HOUSTON, TEXAS 77251-1443

# 54ACT16833, 74ACT16833 DUAL 8-BIT TO 9-BIT PARITY BUS TRANSCEIVERS

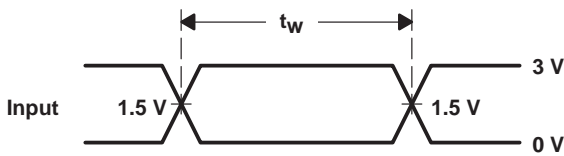
SCAS166A – JUNE 1990 – REVISED APRIL 1996

## PARAMETER MEASUREMENT INFORMATION

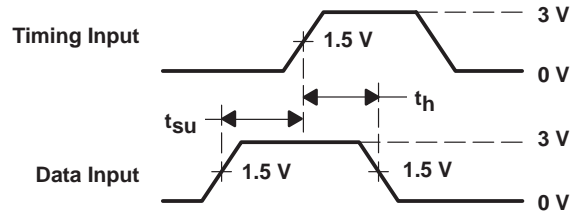


LOAD CIRCUIT

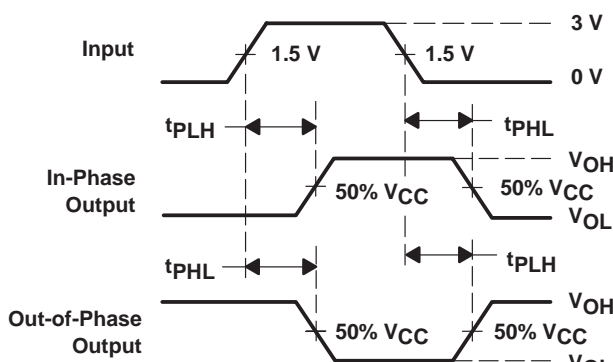
TEST	S1
$t_{PLH}/t_{PHL}$	Open
$t_{PLZ}/t_{PZL}$	$2 \times V_{CC}$
$t_{PHZ}/t_{PZH}$	GND



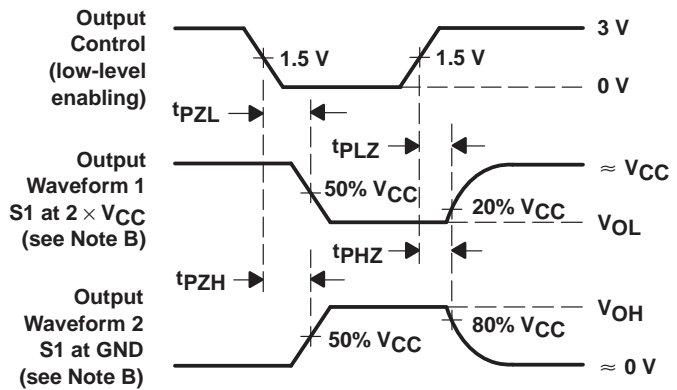
VOLTAGE WAVEFORMS



VOLTAGE WAVEFORMS



VOLTAGE WAVEFORMS



VOLTAGE WAVEFORMS

- NOTES: A.  $C_L$  includes probe and jig capacitance.  
 B. Waveform 1 is for an output with internal conditions such that the output is low except when disabled by the output control. Waveform 2 is for an output with internal conditions such that the output is high except when disabled by the output control.  
 C. All input pulses are supplied by generators having the following characteristics:  $PRR \leq 1 \text{ MHz}$ ,  $Z_O = 50 \Omega$ ,  $t_r = 3 \text{ ns}$ ,  $t_f = 3 \text{ ns}$ .  
 D. The outputs are measured one at a time with one input transition per measurement.

Figure 1. Load Circuit and Voltage Waveforms



## IMPORTANT NOTICE

Texas Instruments Incorporated and its subsidiaries (TI) reserve the right to make corrections, modifications, enhancements, improvements, and other changes to its products and services at any time and to discontinue any product or service without notice. Customers should obtain the latest relevant information before placing orders and should verify that such information is current and complete. All products are sold subject to TI's terms and conditions of sale supplied at the time of order acknowledgment.

TI warrants performance of its hardware products to the specifications applicable at the time of sale in accordance with TI's standard warranty. Testing and other quality control techniques are used to the extent TI deems necessary to support this warranty. Except where mandated by government requirements, testing of all parameters of each product is not necessarily performed.

TI assumes no liability for applications assistance or customer product design. Customers are responsible for their products and applications using TI components. To minimize the risks associated with customer products and applications, customers should provide adequate design and operating safeguards.

TI does not warrant or represent that any license, either express or implied, is granted under any TI patent right, copyright, mask work right, or other TI intellectual property right relating to any combination, machine, or process in which TI products or services are used. Information published by TI regarding third-party products or services does not constitute a license from TI to use such products or services or a warranty or endorsement thereof. Use of such information may require a license from a third party under the patents or other intellectual property of the third party, or a license from TI under the patents or other intellectual property of TI.

Reproduction of TI information in TI data books or data sheets is permissible only if reproduction is without alteration and is accompanied by all associated warranties, conditions, limitations, and notices. Reproduction of this information with alteration is an unfair and deceptive business practice. TI is not responsible or liable for such altered documentation. Information of third parties may be subject to additional restrictions.

Resale of TI products or services with statements different from or beyond the parameters stated by TI for that product or service voids all express and any implied warranties for the associated TI product or service and is an unfair and deceptive business practice. TI is not responsible or liable for any such statements.

TI products are not authorized for use in safety-critical applications (such as life support) where a failure of the TI product would reasonably be expected to cause severe personal injury or death, unless officers of the parties have executed an agreement specifically governing such use. Buyers represent that they have all necessary expertise in the safety and regulatory ramifications of their applications, and acknowledge and agree that they are solely responsible for all legal, regulatory and safety-related requirements concerning their products and any use of TI products in such safety-critical applications, notwithstanding any applications-related information or support that may be provided by TI. Further, Buyers must fully indemnify TI and its representatives against any damages arising out of the use of TI products in such safety-critical applications.

TI products are neither designed nor intended for use in military/aerospace applications or environments unless the TI products are specifically designated by TI as military-grade or "enhanced plastic." Only products designated by TI as military-grade meet military specifications. Buyers acknowledge and agree that any such use of TI products which TI has not designated as military-grade is solely at the Buyer's risk, and that they are solely responsible for compliance with all legal and regulatory requirements in connection with such use.

TI products are neither designed nor intended for use in automotive applications or environments unless the specific TI products are designated by TI as compliant with ISO/TS 16949 requirements. Buyers acknowledge and agree that, if they use any non-designated products in automotive applications, TI will not be responsible for any failure to meet such requirements.

Following are URLs where you can obtain information on other Texas Instruments products and application solutions:

### Products

Amplifiers	<a href="http://amplifier.ti.com">amplifier.ti.com</a>
Data Converters	<a href="http://dataconverter.ti.com">dataconverter.ti.com</a>
DLP® Products	<a href="http://www.dlp.com">www.dlp.com</a>
DSP	<a href="http://dsp.ti.com">dsp.ti.com</a>
Clocks and Timers	<a href="http://www.ti.com/clocks">www.ti.com/clocks</a>
Interface	<a href="http://interface.ti.com">interface.ti.com</a>
Logic	<a href="http://logic.ti.com">logic.ti.com</a>
Power Mgmt	<a href="http://power.ti.com">power.ti.com</a>
Microcontrollers	<a href="http://microcontroller.ti.com">microcontroller.ti.com</a>
RFID	<a href="http://www.ti-rfid.com">www.ti-rfid.com</a>
RF/IF and ZigBee® Solutions	<a href="http://www.ti.com/lprf">www.ti.com/lprf</a>

### Applications

Audio	<a href="http://www.ti.com/audio">www.ti.com/audio</a>
Automotive	<a href="http://www.ti.com/automotive">www.ti.com/automotive</a>
Broadband	<a href="http://www.ti.com/broadband">www.ti.com/broadband</a>
Digital Control	<a href="http://www.ti.com/digitalcontrol">www.ti.com/digitalcontrol</a>
Medical	<a href="http://www.ti.com/medical">www.ti.com/medical</a>
Military	<a href="http://www.ti.com/military">www.ti.com/military</a>
Optical Networking	<a href="http://www.ti.com/opticalnetwork">www.ti.com/opticalnetwork</a>
Security	<a href="http://www.ti.com/security">www.ti.com/security</a>
Telephony	<a href="http://www.ti.com/telephony">www.ti.com/telephony</a>
Video & Imaging	<a href="http://www.ti.com/video">www.ti.com/video</a>
Wireless	<a href="http://www.ti.com/wireless">www.ti.com/wireless</a>

Mailing Address: Texas Instruments, Post Office Box 655303, Dallas, Texas 75265  
Copyright © 2009, Texas Instruments Incorporated