

SN54LVT245, SN74LVT245A 3.3-V ABT OCTAL BUS TRANSCEIVERS WITH 3-STATE OUTPUTS

SCBS130G - MAY 1992 - REVISED JANUARY 1998

- State-of-the-Art Advanced BICMOS Technology (ABT) Design for 3.3-V Operation and Low-Static Power Dissipation
- Support Mixed-Mode Signal Operation (5-V Input and Output Voltages With 3.3-V V_{CC})
- Support Unregulated Battery Operation Down to 2.7 V
- Typical V_{OLP} (Output Ground Bounce) < 0.8 V at $V_{CC} = 3.3$ V, $T_A = 25^\circ\text{C}$
- Latch-Up Performance Exceeds 500 mA Per JEDEC Standard JESD-17
- Bus-Hold Data Inputs Eliminate the Need for External Pullup Resistors
- Support Live Insertion
- Package Options Include Plastic Small-Outline (DW), Shrink Small-Outline (DB), and Thin Shrink Small-Outline (PW) Packages, Ceramic Chip Carriers (FK), Ceramic Flat (W) Packages, and Ceramic (J) DIPs

description

These octal bus transceivers are designed specifically for low-voltage (3.3-V) V_{CC} operation, but with the capability to provide a TTL interface to a 5-V system environment.

These devices are designed for asynchronous communication between data buses. They transmit data from the A bus to the B bus or from the B bus to the A bus depending upon the logic level at the direction-control (DIR) input. The output-enable (\overline{OE}) input can be used to disable the devices so the buses are effectively isolated.

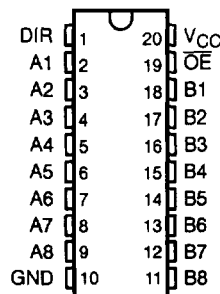
Active bus-hold circuitry is provided to hold unused or floating data inputs at a valid logic level.

To ensure the high-impedance state during power up or power down, \overline{OE} should be tied to V_{CC} through a pullup resistor; the minimum value of the resistor is determined by the current-sinking capability of the driver.

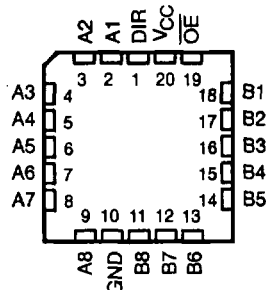
The SN74LVT245A is available in TI's shrink small-outline package (DB), which provides the same I/O pin count and functionality of standard small-outline packages in less than half the printed-circuit-board area.

The SN54LVT245 is characterized for operation over the full military temperature range of -55°C to 125°C . The SN74LVT245A is characterized for operation from -40°C to 85°C .

SN54LVT245 ... J OR W PACKAGE
SN74LVT245A ... DB, DW, OR PW PACKAGE
(TOP VIEW)



SN54LVT245 ... FK PACKAGE
(TOP VIEW)



SN54LVT245, SN74LVT245A

3.3-V ABT OCTAL BUS TRANSCEIVERS

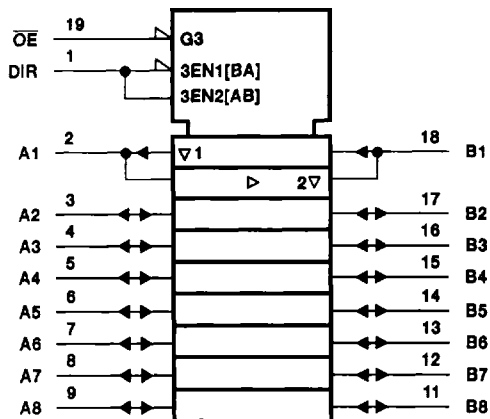
WITH 3-STATE OUTPUTS

SCBS130G – MAY 1992 – REVISED JANUARY 1996

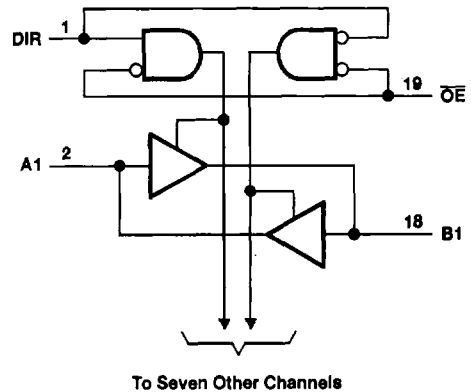
FUNCTION TABLE

INPUTS		OPERATION
OE	DIR	
L	L	B data to A bus
L	H	A data to B bus
H	X	Isolation

logic symbol†



logic diagram (positive logic)



† This symbol is in accordance with ANSI/IEEE Std 91-1984 and IEC Publication 617-12.

absolute maximum ratings over operating free-air temperature range (unless otherwise noted)‡

Supply voltage range, V_{CC}	-0.5 V to 4.6 V
Input voltage range, V_I (see Note 1)	-0.5 V to 7 V
Voltage range applied to any output in the high state or power-off state, V_O (see Note 1)	-0.5 V to 7 V
Current into any output in the low state, I_{OL} : SN54LVT245	96 mA
SN74LVT245A	128 mA
Current into any output in the high state, I_{OH} (see Note 2): SN54LVT245	48 mA
SN74LVT245A	64 mA
Input clamp current, I_{IK} ($V_I < 0$)	-50 mA
Output clamp current, I_{OK} ($V_O < 0$)	-50 mA
Maximum power dissipation at $T_A = 55^\circ\text{C}$ (in still air) (see Note 3): DB package	0.6 W
DW package	1.6 W
PW package	0.7 W
Storage temperature range, T_{stg}	-65°C to 150°C

‡ Stresses beyond those listed under "absolute maximum ratings" may cause permanent damage to the device. These are stress ratings only, and functional operation of the device at these or any other conditions beyond those indicated under "recommended operating conditions" is not implied. Exposure to absolute-maximum-rated conditions for extended periods may affect device reliability.

NOTES: 1. The input and output negative-voltage ratings may be exceeded if the input and output clamp-current ratings are observed.

2. This current flows only when the output is in the high state and $V_O > V_{CC}$.

3. The maximum package power dissipation is calculated using a junction temperature of 150°C and a board trace length of 750 mils. For more information, refer to the *Package Thermal Considerations* application note in the 1994 *ABT Advanced BiCMOS Technology Data Book*, literature number SCBD002B.

 **TEXAS
INSTRUMENTS**

POST OFFICE BOX 655303 • DALLAS, TEXAS 75265

SN54LVT245, SN74LVT245A
3.3-V ABT OCTAL BUS TRANSCEIVERS
WITH 3-STATE OUTPUTS

SCBS130G – MAY 1992 – REVISED JANUARY 1998

recommended operating conditions (see Note 4)

		SN54LVT245		SN74LVT245A		UNIT
		MIN	MAX	MIN	MAX	
V _{CC}	Supply voltage	2.7	3.6	2.7	3.6	V
V _{IH}	High-level input voltage	2		2		V
V _{IL}	Low-level input voltage	0.8		0.8		V
V _I	Input voltage	5.5		5.5		V
I _{OH}	High-level output current	-24		-32		mA
I _{OL}	Low-level output current	48		64		mA
Δt/Δv	Input transition rise or fall rate	10		10		ns/V
T _A	Operating free-air temperature	-55	125	-40	85	°C

NOTE 4: Unused control inputs must be held high or low to prevent them from floating.



POST OFFICE BOX 665303 • DALLAS, TEXAS 75266

SN54LVT245, SN74LVT245A
3.3-V ABT OCTAL BUS TRANSCEIVERS
WITH 3-STATE OUTPUTS

SCBS130G – MAY 1992 – REVISED JANUARY 1996

electrical characteristics over recommended operating free-air temperature range (unless otherwise noted)

PARAMETER	TEST CONDITIONS		SN54LVT245		SN74LVT245A		UNIT	
			MIN	TYPT†	MAX	MIN		TYPT†
V_{IK}	$V_{CC} = 2.7\text{ V}$,	$I_I = -18\text{ mA}$			-1.2		-1.2	V
V_{OH}	$V_{CC} = \text{MIN to MAX}‡$,	$I_{OH} = -100\text{ }\mu\text{A}$	$V_{CC}-0.2$		$V_{CC}-0.2$		V	
	$V_{CC} = 2.7\text{ V}$,	$I_{OH} = -8\text{ mA}$	2.4		2.4			
	$V_{CC} = 3\text{ V}$	$I_{OH} = -24\text{ mA}$	2		2			
V_{OL}	$V_{CC} = 2.7\text{ V}$	$I_{OL} = 100\text{ }\mu\text{A}$			0.2	0.2	V	
		$I_{OL} = 24\text{ mA}$			0.5	0.5		
	$V_{CC} = 3\text{ V}$	$I_{OL} = 16\text{ mA}$			0.4	0.4		
		$I_{OL} = 32\text{ mA}$			0.5	0.5		
		$I_{OL} = 48\text{ mA}$			0.55	0.55		
I_I	$V_{CC} = 3.6\text{ V}$,	$V_I = V_{CC}\text{ or GND}$	Control inputs	± 1		± 1	μA	
		$V_{CC} = 0\text{ or MAX}‡$,		$V_I = 5.5\text{ V}$	10			10
	$V_{CC} = 3.6\text{ V}$	$V_I = 5.5\text{ V}$	A or B ports§	100		20		
		$V_I = V_{CC}$		5		5		
		$V_I = 0$		-10		-10		
I_{off}	$V_{CC} = 0$,	$V_I\text{ or }V_O = 0\text{ to }4.5\text{ V}$			± 100		μA	
$I_{I(\text{hold})}$	$V_{CC} = 3\text{ V}$	$V_I = 0.8\text{ V}$	A or B ports	75		75	μA	
		$V_I = 2\text{ V}$		-75		-75		
I_{OZH}	$V_{CC} = 3.6\text{ V}$,	$V_O = 3\text{ V}$			1	1	μA	
I_{OZL}	$V_{CC} = 3.6\text{ V}$,	$V_O = 0.5\text{ V}$			-1	-1	μA	
I_{CC}	$V_{CC} = 3.6\text{ V}$,	$V_I = V_{CC}\text{ or GND}$	$I_O = 0$,	Outputs high		0.13	0.39	mA
				Outputs low		8.8	14	
				Outputs disabled		0.13	0.39	
$\Delta I_{CC}¶$	$V_{CC} = 3\text{ V to }3.6\text{ V}$,		One input at $V_{CC} - 0.6\text{ V}$,		0.3		0.2	mA
C_i	$V_I = 3\text{ V or }0$				4		4	pF
C_{io}	$V_O = 3\text{ V or }0$				10		10	pF

† All typical values are at $V_{CC} = 3.3\text{ V}$, $T_A = 25^\circ\text{C}$.

‡ For conditions shown as MIN or MAX, use the appropriate value specified under recommended operating conditions.

§ Unused terminals at V_{CC} or GND

¶ This is the increase in supply current for each input that is at the specified TTL voltage level rather than V_{CC} or GND.



POST OFFICE BOX 655303 • DALLAS, TEXAS 75265

SN54LVT245, SN74LVT245A
3.3-V ABT OCTAL BUS TRANSCEIVERS
WITH 3-STATE OUTPUTS

SCBS130G - MAY 1992 - REVISED JANUARY 1996

switching characteristics over recommended operating free-air temperature range, $C_L = 50$ pF (unless otherwise noted) (see Figure 1)

PARAMETER	FROM (INPUT)	TO (OUTPUT)	SN54LVT245				SN74LVT245				UNIT
			$V_{CC} = 3.3\text{ V} \pm 0.3\text{ V}$		$V_{CC} = 2.7\text{ V}$		$V_{CC} = 3.3\text{ V} \pm 0.3\text{ V}$		$V_{CC} = 2.7\text{ V}$		
			MIN	MAX	MIN	MAX	MIN	TYP†	MAX	MIN	
t_{PLH}	A or B	B or A	0.5	4.4	5.2		1	2.5	4	5.2	ns
t_{PHL}			0.5	4.2	4.8		1	2.5	4	5.5	
t_{PZH}	\overline{OE}	A or B	0.8	5.9	7.3		1.1	3.3	5.9	7.1	ns
t_{PZL}			1	5.9	7.2		1.5	3.8	6.5	7.9	
t_{PHZ}	\overline{OE}	A or B	1.5	6.5	7.2		2.2	4.3	5.9	6.5	ns
t_{PLZ}			1.5	6.1	6.5		2	3.9	5.5	5.6	

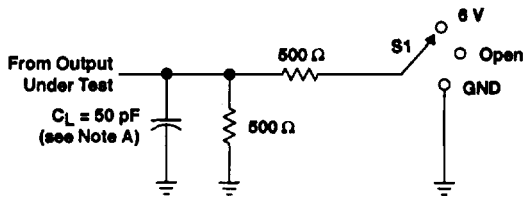
† All typical values are at $V_{CC} = 3.3\text{ V}$, $T_A = 25^\circ\text{C}$.



SN54LVT245, SN74LVT245A
3.3-V ABT OCTAL BUS TRANSCEIVERS
WITH 3-STATE OUTPUTS

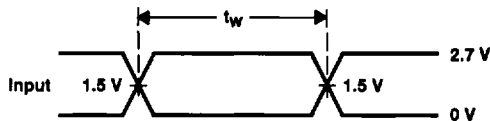
SCBS130G - MAY 1992 - REVISED JANUARY 1998

PARAMETER MEASUREMENT INFORMATION

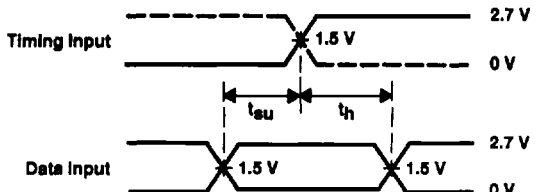


LOAD CIRCUIT FOR OUTPUTS

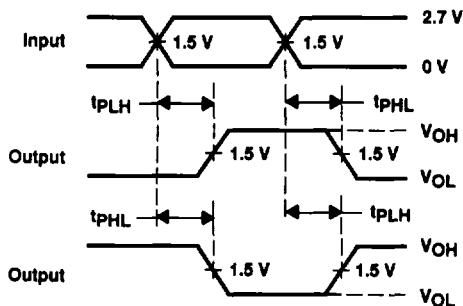
TEST	S1
t_{PLH}/t_{PHL}	Open
t_{PLZ}/t_{PZL}	6 V
t_{PHZ}/t_{PZH}	GND



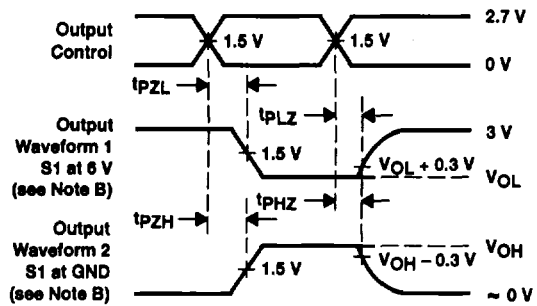
VOLTAGE WAVEFORMS
PULSE DURATION



VOLTAGE WAVEFORMS
SETUP AND HOLD TIMES



VOLTAGE WAVEFORMS
PROPAGATION DELAY TIMES
INVERTING AND NONINVERTING OUTPUTS



VOLTAGE WAVEFORMS
ENABLE AND DISABLE TIMES
LOW- AND HIGH-LEVEL ENABLING

- NOTES: A. C_L includes probe and jig capacitance.
 B. Waveform 1 is for an output with internal conditions such that the output is low except when disabled by the output control. Waveform 2 is for an output with internal conditions such that the output is high except when disabled by the output control.
 C. All input pulses are supplied by generators having the following characteristics: PRR \leq 10 MHz, $Z_O = 50 \Omega$, $t_r \leq 2.5$ ns, $t_f \leq 2.5$ ns.
 D. The outputs are measured one at a time with one transition per measurement.

Figure 1. Load Circuit and Voltage Waveforms



POST OFFICE BOX 655303 • DALLAS, TEXAS 75265