

SN54LVT241, SN74LVT241 3.3-V ABT OCTAL BUFFERS/DRIVERS WITH 3-STATE OUTPUTS

SCAS352C - MARCH 1994 - REVISED JULY 1995

- State-of-the-Art Advanced BICMOS Technology (ABT) Design for 3.3-V Operation and Low-Static Power Dissipation
- Support Mixed-Mode Signal Operation (5-V Input and Output Voltages With 3.3-V V_{CC})
- Support Unregulated Battery Operation Down to 2.7 V
- Typical V_{OLP} (Output Ground Bounce) < 0.8 V at $V_{CC} = 3.3$ V, $T_A = 25^\circ\text{C}$
- Latch-Up Performance Exceeds 500 mA Per JEDEC Standard JESD-17
- Bus-Hold Data Inputs Eliminate the Need for External Pullup Resistors
- Support Live Insertion
- Package Options Include Plastic Small-Outline (DW), Shrink Small-Outline (DB), and Thin Shrink Small-Outline (PW) Packages, Ceramic Chip Carriers (FK), and Ceramic (J) DIPs

description

These octal buffers/drivers are designed specifically for low-voltage (3.3-V) V_{CC} operation, with the capability to provide a TTL interface to a 5-V system environment.

The 'LVT241 are organized as two 4-bit line drivers with separate output-enable ($1\overline{OE}$, $2OE$) inputs. When $1\overline{OE}$ is low or $2OE$ is high, the devices pass data from the A inputs to the Y outputs. When $1\overline{OE}$ is high or $2OE$ is low, the outputs are in the high-impedance state.

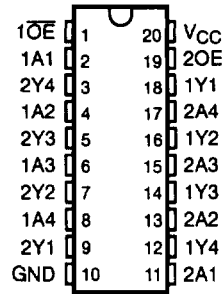
Active bus-hold circuitry is provided to hold unused or floating data inputs at a valid logic level.

To ensure the high-impedance state during power up or power down, \overline{OE} should be tied to V_{CC} through a pullup resistor; the minimum value of the resistor is determined by the current-sinking capability of the driver. OE should be tied to GND through a pulldown resistor; the minimum value of the resistor is determined by the current-sourcing capability of the driver.

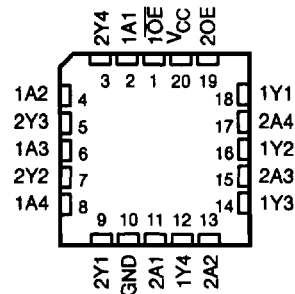
The SN74LVT241 is available in TI's shrink small-outline package (DB), which provides the same input/output (I/O) pin count and functionality of standard small-outline packages in less than half the printed-circuit-board area.

The SN54LVT241 is characterized for operation over the full military temperature range of -55°C to 125°C . The SN74LVT241 is characterized for operation from -40°C to 85°C .

SN54LVT241 ... J PACKAGE
SN74LVT241 ... DB, DW, OR PW PACKAGE
(TOP VIEW)



SN54LVT241 ... FK PACKAGE
(TOP VIEW)



UNLESS OTHERWISE NOTED this document contains PRODUCTION DATA information current as of publication date. Products conform to specifications per the terms of Texas Instruments standard warranty. Production processing does not necessarily include testing of all parameters.

 **TEXAS
INSTRUMENTS**

POST OFFICE BOX 655303 • DALLAS, TEXAS 75265

Copyright © 1995, Texas Instruments Incorporated

SN54LVT241, SN74LVT241
3.3-V ABT OCTAL BUFFERS/DRIVERS
WITH 3-STATE OUTPUTS

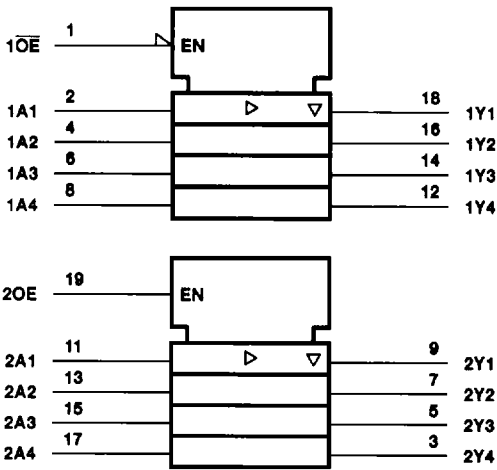
SCAS352C – MARCH 1994 – REVISED JULY 1995

FUNCTION TABLES

| INPUTS | | OUTPUT |
|--------|----|--------|
| 1OE | 1A | 1Y |
| L | H | H |
| L | L | L |
| H | X | Z |

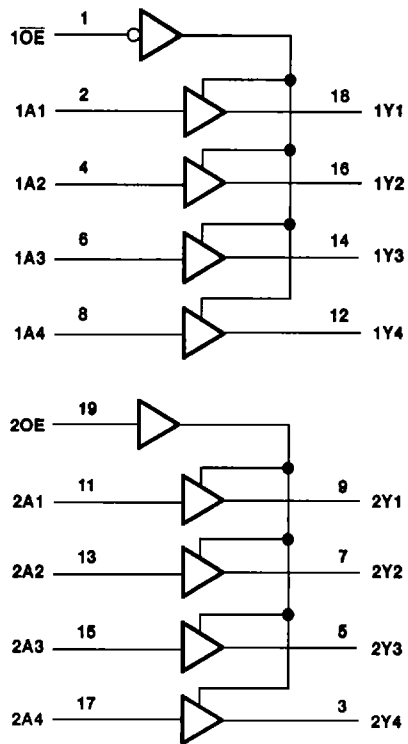
| INPUTS | | OUTPUT |
|--------|----|--------|
| 2OE | 2A | 2Y |
| H | H | H |
| H | L | L |
| L | X | Z |

logic symbol†



† This symbol is in accordance with ANSI/IEEE Std 91-1984 and IEC Publication 617-12.

logic diagram (positive logic)



POST OFFICE BOX 655303 • DALLAS, TEXAS 75265

SN54LVT241, SN74LVT241 3.3-V ABT OCTAL BUFFERS/DRIVERS WITH 3-STATE OUTPUTS

SCAS362C - MARCH 1994 - REVISED JULY 1995

absolute maximum ratings over operating free-air temperature range (unless otherwise noted)†

| | |
|---|-----------------|
| Supply voltage range, V_{CC} | -0.5 V to 4.6 V |
| Input voltage range, V_I (see Note 1) | -0.5 V to 7 V |
| Voltage range applied to any output in the high state or power-off state, V_O (see Note 1) | -0.5 V to 7 V |
| Current into any output in the low state, I_{OL} : SN54LVT241 | 96 mA |
| SN74LVT241 | 128 mA |
| Current into any output in the high state, I_{OH} (see Note 2): SN54LVT241 | 48 mA |
| SN74LVT241 | 64 mA |
| Input clamp current, I_{IK} ($V_I < 0$) | -50 mA |
| Output clamp current, I_{OK} ($V_O < 0$) | -50 mA |
| Maximum power dissipation at $T_A = 55^\circ\text{C}$ (in still air) (see Note 3): DB package | 0.6 W |
| DW package | 1.6 W |
| PW package | 0.7 W |
| Operating free-air temperature range, T_A : SN54LVT241 | -55°C to 125°C |
| SN74LVT241 | -40°C to 85°C |
| Storage temperature range, T_{stg} | -65°C to 150°C |

† Stresses beyond those listed under "absolute maximum ratings" may cause permanent damage to the device. These are stress ratings only, and functional operation of the device at these or any other conditions beyond those indicated under "recommended operating conditions" is not implied. Exposure to absolute-maximum-rated conditions for extended periods may affect device reliability.

- NOTES: 1. The input and output negative-voltage ratings may be exceeded if the input and output clamp-current ratings are observed.
 2. This current flows only when the output is in the high state and $V_O > V_{CC}$.
 3. The maximum package power dissipation is calculated using a junction temperature of 150°C and a board trace length of 750 mils. For more information, refer to the *Package Thermal Considerations* application note in the 1994 *ABT Advanced BiCMOS Technology Data Book*, literature number SCBD002B.

recommended operating conditions (see Note 4)

| | | SN54LVT241 | | SN74LVT241 | | UNIT |
|---------------------|------------------------------------|-----------------|-----|------------|-----|------|
| | | MIN | MAX | MIN | MAX | |
| V_{CC} | Supply voltage | 2.7 | 3.6 | 2.7 | 3.6 | V |
| V_{IH} | High-level input voltage | 2 | | 2 | | V |
| V_{IL} | Low-level input voltage | | 0.8 | | 0.8 | V |
| V_I | Input voltage | | 5.5 | | 5.5 | V |
| I_{OH} | High-level output current | | -24 | | -32 | mA |
| I_{OL} | Low-level output current | | 48 | | 64 | mA |
| $\Delta t/\Delta v$ | Input transition rise or fall rate | Outputs enabled | | 10 | 10 | ns/V |
| T_A | Operating free-air temperature | -55 | 125 | -40 | 85 | °C |

NOTE 4: Unused control inputs must be held high or low to prevent them from floating.

PRODUCT PREVIEW information concerns products in the formative or design phase of development. Characteristic data and other specifications are design goals. Texas Instruments reserves the right to change or discontinue these products without notice.



POST OFFICE BOX 666303 • DALLAS, TEXAS 75266

SN54LVT241, SN74LVT241
3.3-V ABT OCTAL BUFFERS/DRIVERS
WITH 3-STATE OUTPUTS

SCAS352C - MARCH 1994 - REVISED JULY 1995

electrical characteristics over recommended operating free-air temperature range (unless otherwise noted)

| PARAMETER | TEST CONDITIONS | | SN54LVT241 | | SN74LVT241 | | UNIT | | |
|----------------------|---|------------------------------|----------------|---------|--------------|---------|---------------|------|------|
| | | | MIN | TYP† | MAX | MIN | | TYP† | MAX |
| V_{IK} | $V_{CC} = 2.7\text{ V}$, $I_I = -18\text{ mA}$ | | | | -1.2 | | V | | |
| V_{OH} | $V_{CC} = \text{MIN to MAX}^\ddagger$, $I_{OH} = -100\ \mu\text{A}$ | | $V_{CC}-0.2$ | | $V_{CC}-0.2$ | | V | | |
| | $V_{CC} = 2.7\text{ V}$, $I_{OH} = -8\text{ mA}$ | | 2.4 | | 2.4 | | | | |
| | $V_{CC} = 3\text{ V}$ | $I_{OH} = -24\text{ mA}$ | 2 | | | | | | |
| V_{OL} | $V_{CC} = 2.7\text{ V}$ | $I_{OL} = 100\ \mu\text{A}$ | | | 0.2 | | V | | |
| | | $I_{OL} = 24\text{ mA}$ | | | 0.5 | | | | |
| | $V_{CC} = 3\text{ V}$ | $I_{OL} = 16\text{ mA}$ | | | 0.4 | | | | |
| | | $I_{OL} = 32\text{ mA}$ | | | 0.5 | | | | |
| | | $I_{OL} = 48\text{ mA}$ | | | 0.55 | | | | |
| I_I | $V_{CC} = 0\text{ or MAX}^\ddagger$, $V_I = 5.5\text{ V}$ | | | | 10 | | μA | | |
| | $V_{CC} = 3.6\text{ V}$ | $V_I = V_{CC}\text{ or GND}$ | Control inputs | ± 1 | | ± 1 | | | |
| | | $V_I = V_{CC}$ | Data inputs | 1 | | 1 | | | |
| I_{off} | $V_{CC} = 0$, $V_I\text{ or }V_O = 0\text{ to }4.5\text{ V}$ | | | | | | μA | | |
| | | | | | ± 100 | | | | |
| $I_{I(\text{hold})}$ | $V_{CC} = 3\text{ V}$ | | | | 75 | | μA | | |
| | $V_I = 0.8\text{ V}$ | | Data inputs | | -75 | | | | |
| I_{OZH} | $V_{CC} = 3.6\text{ V}$, $V_O = 3\text{ V}$ | | | | 5 | | μA | | |
| | $V_{CC} = 3.6\text{ V}$, $V_O = 0.5\text{ V}$ | | | | -5 | | | | |
| I_{CC} | $V_{CC} = 3.6\text{ V}$, $V_I = V_{CC}\text{ or GND}$ | | | | | | mA | | |
| | $I_O = 0$ | | Outputs high | | 0.12 | 0.5 | | 0.12 | 0.19 |
| | | | Outputs low | | 8.6 | 15 | | 8.6 | 15 |
| ΔI_{CC}^\S | $V_{CC} = 3\text{ V to }3.6\text{ V}$, One input at $V_{CC} - 0.6\text{ V}$, Other inputs at $V_{CC}\text{ or GND}$ | | | | 0.3 | | mA | | |
| | | | | | 0.2 | | | | |
| C_i | $V_I = 3\text{ V or }0$ | | | | 4 | | pF | | |
| C_o | $V_O = 3\text{ V or }0$ | | | | 8 | | pF | | |

† All typical values are at $V_{CC} = 3.3\text{ V}$, $T_A = 25^\circ\text{C}$.

‡ For conditions shown as MIN or MAX, use the appropriate value specified under recommended operating conditions.

§ This is the increase in supply current for each input that is at the specified TTL voltage level rather than V_{CC} or GND.

switching characteristics over recommended ranges of supply voltage and operating free-air temperature range, $C_L = 50\text{ pF}$ (unless otherwise noted) (see Figure 1)

| PARAMETER | FROM (INPUT) | TO (OUTPUT) | SN54LVT241 | | | | SN74LVT241 | | | | UNIT |
|-----------|-----------------------|-------------|--|-----|-------------------------|-----|--|------|-------------------------|-----|------|
| | | | $V_{CC} = 3.3\text{ V} \pm 0.3\text{ V}$ | | $V_{CC} = 2.7\text{ V}$ | | $V_{CC} = 3.3\text{ V} \pm 0.3\text{ V}$ | | $V_{CC} = 2.7\text{ V}$ | | |
| | | | MIN | MAX | MIN | MAX | MIN | TYP† | MAX | MIN | |
| t_{PLH} | A | Y | 1 | 4.7 | 5.2 | | 1 | 2.2 | 4.3 | 5 | ns |
| t_{PHL} | | | 1 | 4.4 | 5.4 | | 1 | 2.3 | 4.2 | 5.2 | |
| t_{PZH} | \overline{OE} or OE | Y | 1.3 | 5.4 | 6.5 | | 1.4 | 2.8 | 5.2 | 6.3 | ns |
| t_{PZL} | | | 1.5 | 5.4 | 7.6 | | 1.6 | 2.8 | 5.2 | 6.7 | |
| t_{PHZ} | \overline{OE} or OE | Y | 1.8 | 8.3 | 8.3 | | 1.9 | 3.2 | 6.6 | 7.7 | ns |
| t_{PLZ} | | | 1.9 | 8.2 | 7.4 | | 2 | 3.1 | 6 | 7.1 | |

† All typical values are at $V_{CC} = 3.3\text{ V}$, $T_A = 25^\circ\text{C}$.

PRODUCT PREVIEW information concerns products in the formative or design phase of development. Characteristic data and other specifications are design goals. Texas Instruments reserves the right to change or discontinue these products without notice.

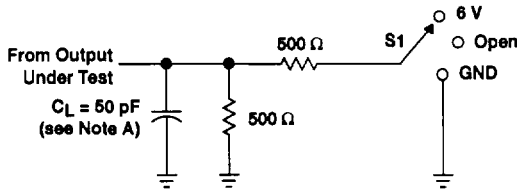


POST OFFICE BOX 655303 • DALLAS, TEXAS 75265

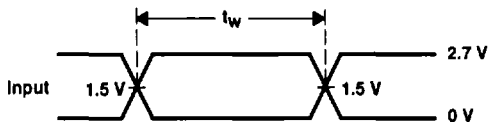
SN54LVT241, SN74LVT241 3.3-V ABT OCTAL BUFFERS/DRIVERS WITH 3-STATE OUTPUTS

SCAS352C – MARCH 1994 – REVISED JULY 1995

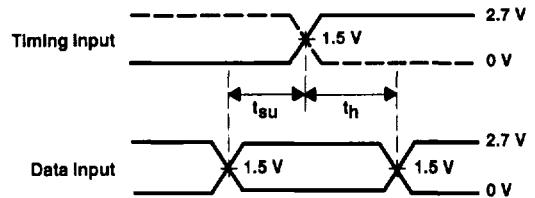
PARAMETER MEASUREMENT INFORMATION



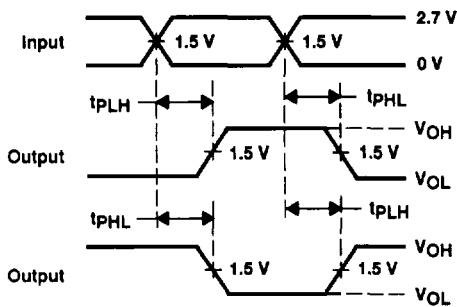
LOAD CIRCUIT FOR OUTPUTS



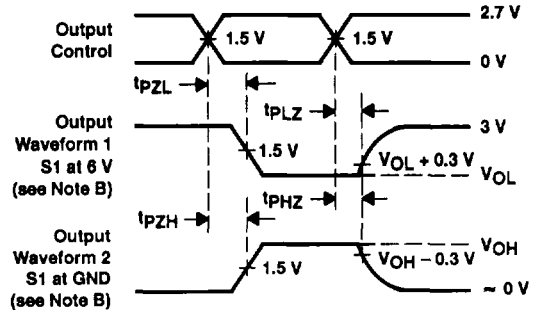
VOLTAGE WAVEFORMS
PULSE DURATION



VOLTAGE WAVEFORMS
SETUP AND HOLD TIMES



VOLTAGE WAVEFORMS
PROPAGATION DELAY TIMES
INVERTING AND NONINVERTING OUTPUTS



VOLTAGE WAVEFORMS
ENABLE AND DISABLE TIMES
LOW- AND HIGH-LEVEL ENABLING

- NOTES: A. C_L includes probe and jig capacitance.
 B. Waveform 1 is for an output with internal conditions such that the output is low except when disabled by the output control.
 Waveform 2 is for an output with internal conditions such that the output is high except when disabled by the output control.
 C. All input pulses are supplied by generators having the following characteristics: $PRR \leq 10 \text{ MHz}$, $Z_O = 50 \Omega$, $t_r \leq 2.5 \text{ ns}$, $t_f \leq 2.5 \text{ ns}$.
 D. The outputs are measured one at a time with one transition per measurement.

Figure 1. Load Circuit and Voltage Waveforms

