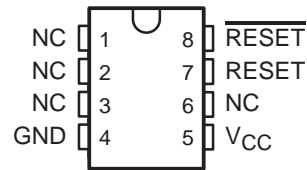


- Power-On Reset Generator
- Automatic Reset Generation After Voltage Drop
- Precision Input Threshold  
Voltage . . . 4.55 V ±120 mV
- Low Standby Current . . . 20 μA
- Reset Outputs Defined When V<sub>CC</sub> Exceeds 1 V
- True and Complementary Reset Outputs
- Wide Supply-Voltage Range . . . 1 V to 7 V

D, P, OR PW PACKAGE  
(TOP VIEW)



NC – No internal connection

## description

The TL7759 is a supply-voltage supervisor designed for use as a reset controller in microcomputer and microprocessor systems. The supervisor monitors the supply voltage for undervoltage conditions. During power up, when the supply voltage, V<sub>CC</sub>, attains a value approaching 1 V, the RESET and  $\overline{\text{RESET}}$  outputs become active (high and low, respectively) to prevent undefined operation. If the supply voltage drops below the input threshold voltage level (V<sub>IT-</sub>), the reset outputs go to the reset active state until the supply voltage has returned to its nominal value (see timing diagram).

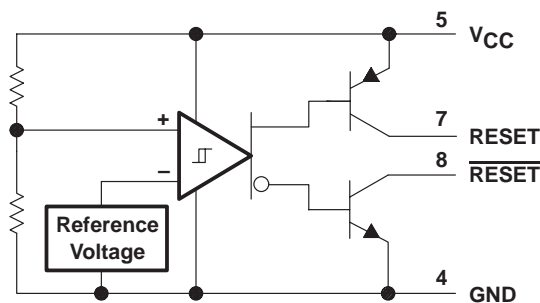
The TL7759C is characterized for operation from 0°C to 70°C.

### AVAILABLE OPTIONS

T <sub>A</sub>	PACKAGED DEVICES			CHIP FORM (Y)
	SMALL OUTLINE (D)	PLASTIC DIP (P)	SHRINK SMALL OUTLINE (PW)	
0°C to 70°C	TL7759CD	TL7759CP	TL7759CPW	TL7759Y

The D and PW packages are available taped and reeled. Add the suffix R to the device type (e.g., TL7759CDR). Chip forms are tested at 25°C.

## functional block diagram



Please be aware that an important notice concerning availability, standard warranty, and use in critical applications of Texas Instruments semiconductor products and disclaimers thereto appears at the end of this data sheet.

PRODUCTION DATA information is current as of publication date. Products conform to specifications per the terms of Texas Instruments standard warranty. Production processing does not necessarily include testing of all parameters.

**TEXAS  
INSTRUMENTS**

POST OFFICE BOX 655303 • DALLAS, TEXAS 75265

Copyright © 1999, Texas Instruments Incorporated

# TL7759 SUPPLY-VOLTAGE SUPERVISORS

SLVS042D – JANUARY 1991 – REVISED JULY 1999

## absolute maximum ratings over operating free-air temperature range (unless otherwise noted)†

Supply voltage, $V_{CC}$ (see Note 1)	20 V
Off-state output voltage range: $\overline{\text{RESET}}$ voltage	-0.3 V to 20 V
RESET voltage	-0.3 V to 20 V
Low-level output current, $I_{OL}$ ( $\overline{\text{RESET}}$ )	30 mA
High-level output current, $I_{OH}$ (RESET)	-10 mA
Package thermal impedance, $\theta_{JA}$ (see Notes 2 and 3): D package	97°C/W
P package	127°C/W
PW package	149°C/W
Lead temperature 1,6 mm (1/16 inch) from case for 10 seconds	260°C
Storage temperature range, $T_{stg}$	-65°C to 150°C

† Stresses beyond those listed under “absolute maximum ratings” may cause permanent damage to the device. These are stress ratings only, and functional operation of the device at these or any other conditions beyond those indicated under “recommended operating conditions” is not implied. Exposure to absolute-maximum-rated conditions for extended periods may affect device reliability.

- NOTES:
- All voltage values are with respect to the network ground terminal.
  - Maximum power dissipation is a function of  $T_J(\text{max})$ ,  $\theta_{JA}$ , and  $T_A$ . The maximum allowable power dissipation at any allowable ambient temperature is  $P_D = (T_J(\text{max}) - T_A)/\theta_{JA}$ . Operating at the absolute maximum  $T_J$  of 150°C can impact reliability.
  - The package thermal impedance is calculated in accordance with JESD 51, except for through-hole packages, which use a trace length of zero.

## recommended operating conditions

		MIN	MAX	UNIT
Supply voltage, $V_{CC}$		1	7	V
Output voltage, $V_O$ (see Note 4)	Transistor off $\overline{\text{RESET}}$ voltage		15	V
	Transistor off RESET voltage	0		
Low-level output current, $I_{OL}$	$\overline{\text{RESET}}$		24	mA
High-level output current, $I_{OH}$	RESET		-8	mA
Operating free-air temperature, $T_A$	TL7759C	0	70	°C

NOTE 4: RESET output must not be pulled down below GND potential.

## electrical characteristics over recommended operating free-air temperature range (unless otherwise noted)

PARAMETER			TEST CONDITIONS		TL7759C			UNIT
					MIN	TYP‡	MAX	
$V_{OL}$	Low-level output voltage	$\overline{\text{RESET}}$	$V_{CC} = 4.3 \text{ V}$	$I_{OL} = 24 \text{ mA}$	0.4	0.8		V
$V_{OH}$	High-level output voltage	RESET			$I_{OH} = -8 \text{ mA}$	$V_{CC}-1$		
$V_{IT-}$	Input threshold voltage (negative-going $V_{CC}$ )		$T_A = 25^\circ\text{C}$		4.43	4.55	4.67	V
					$T_A = 0^\circ\text{C to } 70^\circ\text{C}$	4.4		
$V_{res}\S$	Power-up reset voltage		$R_L = 2.2 \text{ k}\Omega$	$T_A = 25^\circ\text{C}$	0.8	1		V
					$T_A = 0^\circ\text{C to } 70^\circ\text{C}$			
$V_{hys}\P$	Hysteresis at $V_{CC}$ input		$T_A = 25^\circ\text{C}$		40	50	60	mV
					$T_A = 0^\circ\text{C to } 70^\circ\text{C}$	30		
$I_{OH}$	High-level output current	$\overline{\text{RESET}}$	$V_{CC} = 7 \text{ V}$ , See Figure 1		$V_{OH} = 15 \text{ V}$		1	$\mu\text{A}$
$I_{OL}$	Low-level output current	RESET			$V_{OL} = 0 \text{ V}$		-1	$\mu\text{A}$
$I_{CC}$	Supply current		No load		$V_{CC} = 4.3 \text{ V}$	1400	2000	$\mu\text{A}$
					$V_{CC} = 5.5 \text{ V}$		40	

‡ Typical values are at  $T_A = 25^\circ\text{C}$ .

\S This is the lowest voltage at which RESET becomes active,  $V_{CC}$  slew rate  $\leq 5 \text{ V}/\mu\text{s}$ .

\P This is the difference between positive-going input threshold voltage,  $V_{IT+}$ , and negative-going input threshold voltage,  $V_{IT-}$ .



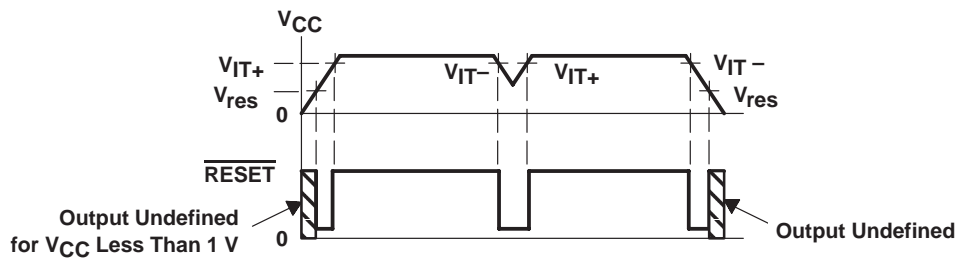
**electrical characteristics,  $T_A = 25^\circ\text{C}$  (unless otherwise noted)**

PARAMETER		TEST CONDITIONS	TL7759Y			UNIT
			MIN	TYP	MAX	
$V_{OL}$	Low-level output voltage	$\overline{\text{RESET}}$ $V_{CC} = 4.3\text{ V}, I_{OL} = 24\text{ mA}$		0.4		V
$V_{IT-}$	Input threshold voltage (negative-going $V_{CC}$ )			4.55		V
$V_{res}^\dagger$	Power-up reset voltage	$R_L = 2.2\text{ k}\Omega$		0.8		V
$V_{hys}^\ddagger$	Hysteresis at $V_{CC}$ input			50		mV
$I_{CC}$	Supply current	$V_{CC} = 4.3\text{ V},$ No load		1400		$\mu\text{A}$

$^\dagger$  This is the lowest voltage at which  $\overline{\text{RESET}}$  becomes active,  $V_{CC}$  slew rate  $\leq 5\text{ V}/\mu\text{s}$ .

$^\ddagger$  This is the difference between positive-going input threshold voltage,  $V_{IT+}$ , and negative-going input threshold voltage,  $V_{IT-}$ .

**timing diagram**



**switching characteristics at  $T_A = 25^\circ\text{C}$  (unless otherwise noted)**

PARAMETER	FROM (INPUT)	TO (OUTPUT)	TEST CONDITIONS	TL7759C		UNIT
				MIN	MAX	
$t_{PLH}$	Propagation delay time, low-to high-level output	$V_{CC}$	$\overline{\text{RESET}}$	See Figures 2 and 3 $\S$	5	$\mu\text{s}$
$t_{PHL}$	Propagation delay time, high-to low-level output	$V_{CC}$	$\overline{\text{RESET}}$	See Figures 2 and 4	5	$\mu\text{s}$
$t_r$	Rise time		$\overline{\text{RESET}}$	See Figures 2 and 4 $\S$	1	$\mu\text{s}$
$t_f$	Fall time		$\overline{\text{RESET}}$	See Figures 2 and 4	1	$\mu\text{s}$
$t_w(\text{min})$	Minimum pulse duration	$V_{CC}$	$\overline{\text{RESET}}$	See Figures 2 and 4	5	$\mu\text{s}$

$\S$   $V_{CC}$  slew rate  $\leq 5\text{ V}/\mu\text{s}$

PARAMETER MEASUREMENT INFORMATION

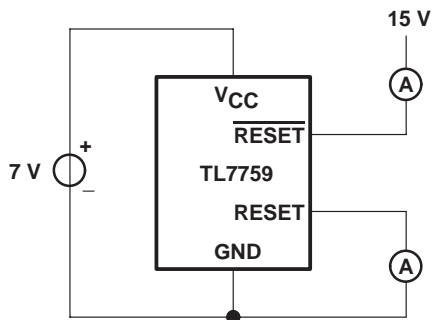
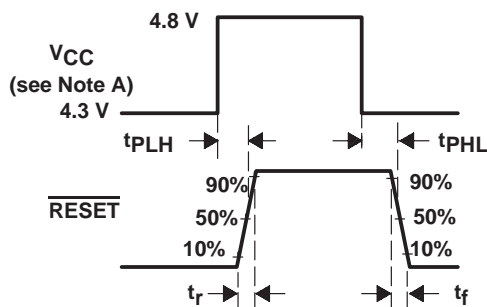
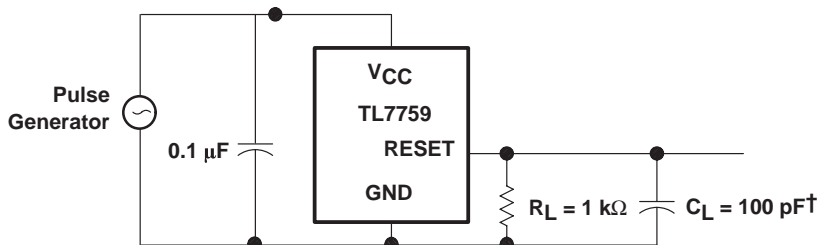


Figure 1. Test Circuit for Output Leakage Current



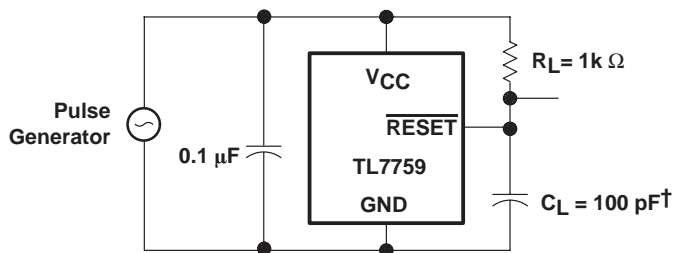
NOTE A:  $V_{CC}$  slew rate  $\leq 5$  V/ $\mu$ s.

Figure 2. Switching Diagram



†  $C_L$  Includes jig and probe capacitance.

Figure 3. Test Circuit for RESET Output Switching Characteristics



†  $C_L$  Includes jig and probe capacitance.

Figure 4. Test Circuit for RESET Output Switching Characteristics

APPLICATION INFORMATION

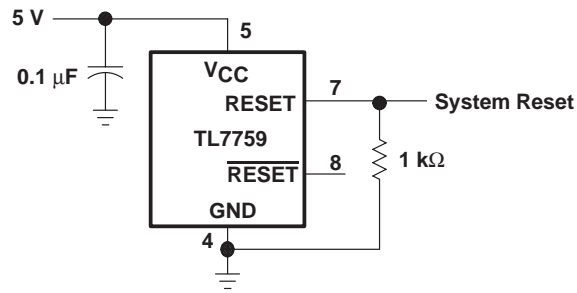


Figure 5. Power-Supply System Reset Generation

## IMPORTANT NOTICE

Texas Instruments and its subsidiaries (TI) reserve the right to make changes to their products or to discontinue any product or service without notice, and advise customers to obtain the latest version of relevant information to verify, before placing orders, that information being relied on is current and complete. All products are sold subject to the terms and conditions of sale supplied at the time of order acknowledgement, including those pertaining to warranty, patent infringement, and limitation of liability.

TI warrants performance of its semiconductor products to the specifications applicable at the time of sale in accordance with TI's standard warranty. Testing and other quality control techniques are utilized to the extent TI deems necessary to support this warranty. Specific testing of all parameters of each device is not necessarily performed, except those mandated by government requirements.

CERTAIN APPLICATIONS USING SEMICONDUCTOR PRODUCTS MAY INVOLVE POTENTIAL RISKS OF DEATH, PERSONAL INJURY, OR SEVERE PROPERTY OR ENVIRONMENTAL DAMAGE ("CRITICAL APPLICATIONS"). TI SEMICONDUCTOR PRODUCTS ARE NOT DESIGNED, AUTHORIZED, OR WARRANTED TO BE SUITABLE FOR USE IN LIFE-SUPPORT DEVICES OR SYSTEMS OR OTHER CRITICAL APPLICATIONS. INCLUSION OF TI PRODUCTS IN SUCH APPLICATIONS IS UNDERSTOOD TO BE FULLY AT THE CUSTOMER'S RISK.

In order to minimize risks associated with the customer's applications, adequate design and operating safeguards must be provided by the customer to minimize inherent or procedural hazards.

TI assumes no liability for applications assistance or customer product design. TI does not warrant or represent that any license, either express or implied, is granted under any patent right, copyright, mask work right, or other intellectual property right of TI covering or relating to any combination, machine, or process in which such semiconductor products or services might be or are used. TI's publication of information regarding any third party's products or services does not constitute TI's approval, warranty or endorsement thereof.

- [Advanced Search](#)
- [TI Home](#)
- [TI&ME](#)
- [Employment](#)
- [Tech Support](#)
- [Comments](#)
- [Site Map](#)
- [TI Global](#)

## Power Management

> > [Power Management](#) > [Power Supply Support](#) > [Processor Supervisors](#)



### TL7759, 4-Terminal SVS For 5V Systems

Device Status: Active

- > [Description](#)
- > [Features](#)
- > [Datasheets](#)
- > [Pricing/Samples/Availability](#)

Parameter Name	TL7759
VCC (nom) (V)	7
Vt (V)	4.55
Vin (min) (V)	1
Over Voltage Sense	No
WDI	No

### Description

The TL7759 is a supply-voltage supervisor designed for use as a reset controller in microcomputer and microprocessor systems. The supervisor monitors the supply voltage for undervoltage conditions. During power up, when the supply voltage,  $V_{CC}$ , attains a value approaching 1 V, the RESET and RESET\ outputs become active (high and low, respectively) to prevent undefined operation. If the supply voltage drops below the input threshold voltage level ( $V_{IT-}$ ), the reset outputs go to the reset active state until the supply voltage has returned to its nominal value (see timing diagram).

The TL7759C is characterized for operation from 0°C to 70°C.

### Features

- Power-On Reset Generator
- Automatic Reset Generation After Voltage Drop
- Precision Input Threshold Voltage...4.55 V  $\pm$ 120 mV
- Low Standby Current...20 uA
- Reset Outputs Defined When  $V_{CC}$   
Exceeds 1 V
- True and Complementary Reset Outputs
- Wide Supply-Voltage Range...1 V to 7 V

To view the following documents, [Acrobat Reader 3.x](#) is required.

To download a document to your hard drive, right-click on the link and choose 'Save'.

## Datasheets

Full datasheet in Acrobat PDF: [slvs042d.pdf](#) (87 KB)

Full datasheet in Zipped PostScript: [slvs042d.psz](#) (87 KB)

## Pricing/Samples/Availability

<u>Orderable Device</u>	<u>Package</u>	<u>Pins</u>	<u>Temp (°C)</u>	<u>Status</u>	<u>Price/unit USD (100-999)</u>	<u>Pack Qty</u>	<u>Availability / Samples</u>
TL7759CD	<u>D</u>	8	0 TO 70	ACTIVE	1.00	75	<a href="#">Check stock or order</a>
TL7759CDR	<u>D</u>	8	0 TO 70	ACTIVE	0.84	2500	<a href="#">Check stock or order</a>
TL7759CP	<u>P</u>	8	0 TO 70	ACTIVE	1.00	50	<a href="#">Check stock or order</a>
TL7759CPS	<u>PS</u>	8	0 TO 70	OBSOLETE			
TL7759CPWLE	<u>PW</u>	8	0 TO 70	OBSOLETE			
TL7759CPWR	<u>PW</u>	8	0 TO 70	ACTIVE	0.84	2000	<a href="#">Check stock or order</a>

**Table Data Updated on: 9/12/2000**