

# LM74

## SPI/MICROWIRE™ 12-Bit Plus Sign Temperature Sensor

### General Description

The LM74 is a temperature sensor, Delta-Sigma analog-to-digital converter with an SPI and MICROWIRE compatible interface. The host can query the LM74 at any time to read temperature. A shutdown mode decreases power consumption to less than 10  $\mu\text{A}$ . This mode is useful in systems where low average power consumption is critical.

The LM74 has 12-bit plus sign temperature resolution (0.0625°C per LSB) while operating over a temperature range of -55°C to +150°C.

The LM74's 3.0V to 5.5V supply voltage range, low supply current and simple SPI interface make it ideal for a wide range of applications. These include thermal management and protection applications in hard disk drives, printers, electronic test equipment, and office electronics. The LM74 is available in the SO-8 package as well as an 5-Bump micro SMD package.

### Applications

- System Thermal Management
- Personal Computers
- Disk Drives
- Office Electronics
- Electronic Test Equipment

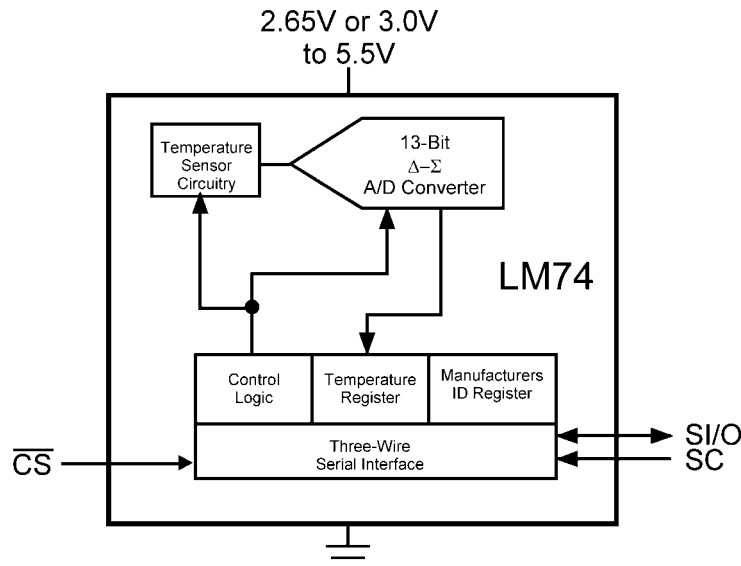
### Features

- 0.0625°C temperature resolution.
- Shutdown mode conserves power between temperature reading
- SPI and MICROWIRE Bus interface
- 5-Bump micro SMD package saves space

### Key Specifications

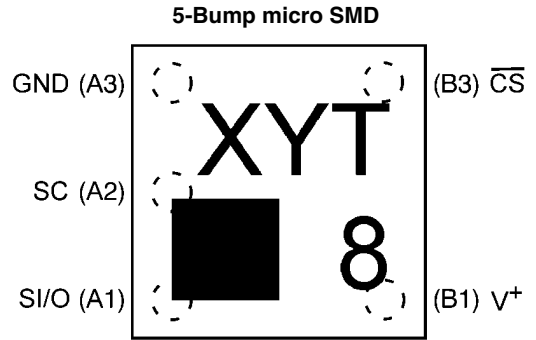
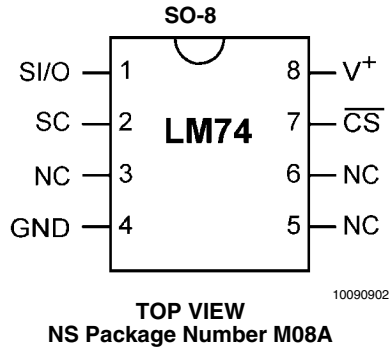
■ Supply Voltage		3.0V or 2.65V to 5.5V
■ Supply Current	operating	265 $\mu\text{A}$ (typ)
	shutdown	520 $\mu\text{A}$ (max) 3 $\mu\text{A}$ (typ)
■ Temperature Accuracy	-10°C to 65°C	$\pm 1.25^\circ\text{C}$ (max)
	-25°C to 110°C	$\pm 2.1^\circ\text{C}$ (max)
	-55°C to 125°C	$\pm 3^\circ\text{C}$ (max)

### Simplified Block Diagram



10090901

## Connection Diagrams



**Note:**

- Pin numbers are referenced to the package marking text orientation. Pin 1 is designated by the square.
- Reference JEDEC Registration MO-211, variation BC
- The top 4 characters designate the date code. The bottom 3 characters designate the device type (see ordering information).

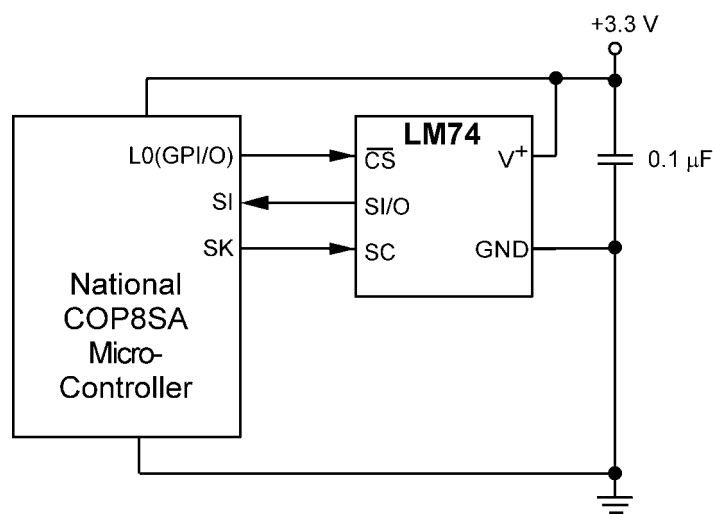
## Ordering Information

Order Number	Package Marking	NS Package Number	Supply Voltage	Transport Media
LM74CIM-3	LM74CIM-3	SO-8, M08A	3.0V to 3.6V	95 Units in Rail
LM74CIMX-3	LM74CIM-3	SO-8, M08A	3.0V to 3.6V	2500 Units in Tape and Reel
LM74CIM-5	LM74CIM-5	SO-8, M08A	4.5V to 5.5V	95 Units in Rail
LM74CIMX-5	LM74CIM-5	SO-8, M08A	4.5V to 5.5V	2500 Units in Tape and Reel
LM74CITP-3	T10	micro SMD, Thin Package, TPD05QSA	2.65V to 3.6V	250 Units in Tape and Reel
LM74CITPX-3	T10	micro SMD, Thin Package, TPD05QSA	2.65V to 3.6V	3000 Units in Tape and Reel

## Pin Descriptions

Label	SO-8 Pin #	micro SMD Pin #	Function	Typical Connection
SI/O	1	1	Slave Input/Output - Serial bus bi-directional data line. Schmitt trigger input.	From and to Controller
SC	2	5	Slave Clock - Serial bus clock Schmitt trigger input line.	From Controller
NC	3		No Connection	No Connection
GND	4	4	Power Supply Ground	Ground
NC	5		No Connection	No Connection
NC	6		No Connection	No Connection
$\overline{\text{CS}}$	7	3	Chip Select input.	From Controller
V+	8	2	Positive Supply Voltage Input	DC Voltage from 3.0V to 5.5V for the LM74CIM and 2.65V to 5.5V for the LM74CIBP and LM74CITP. Bypass with a 0.1 $\mu\text{F}$ ceramic capacitor.

## Typical Application



10090903

FIGURE 1. COP Microcontroller Interface

## Absolute Maximum Ratings (Note 1)

Supply Voltage	-0.3V to 6.0V
Voltage at any Pin	-0.3V to $V^+ + 0.3V$
Input Current at any Pin (Note 2)	5 mA
Package Input Current (Note 2)	20 mA
Storage Temperature	-65°C to +150°C
ESD Susceptibility (Note 4)	
Human Body Model	
LM74CIBP and LM74CITP, pin A2 (SC)	1900V
LM74CIM, LM74CIBP, and LM74CITP all other pins	2000V

Machine Model

200V

Soldering process must comply with National's Reflow Temperature Profile specifications. Refer to [www.national.com/packaging](http://www.national.com/packaging). (Note 3)

## Operating Ratings

Specified Temperature Range (Note 5)	$T_{MIN}$ to $T_{MAX}$
LM74CIBP and LM74CITP	-40°C to +125°C
LM74CIM	-55°C to +150°C
Supply Voltage Range ( $+V_S$ )	
LM74CIBP and LM74CITP	+2.65V to +5.5V
LM74CIM	+3.0V to +5.5V

## Temperature-to-Digital Converter Characteristics

Unless otherwise noted, these specifications apply for  $V^+ = 2.65V$  to  $3.6V$  for the LM74CIBP -3, LM74CITP-3,  $V^+ = 3.0V$  to  $3.6V$  for the LM74CIM -3 and  $V^+ = 4.5V$  to  $5.5V$  for the LM74 -5 (Note 6). **Boldface limits apply for  $T_A = T_J = T_{MIN}$  to  $T_{MAX}$** ; all other limits  $T_A = T_J = +25^\circ C$ , unless otherwise noted.

Parameter	Conditions	Typical (Note 7)	LM74-5 Limits (Note 8)	LM74-3 Limits (Note 8)	Units (Limit)	
Temperature Error (Note 6)	$T_A = -10^\circ C$ to $+65^\circ C$		<b><math>\pm 1.25</math></b>	<b><math>\pm 1.25</math></b>	$^\circ C$ (max)	
	$T_A = -25^\circ C$ to $+110^\circ C$		<b><math>\pm 2.1</math></b>	<b><math>+2.65/-2.15</math></b>	$^\circ C$ (max)	
	$T_A = -40^\circ C$ to $+85^\circ C$		<b><math>+2.65/-1.65</math></b>	<b><math>\pm 2.15</math></b>	$^\circ C$ (max)	
	$T_A = -40^\circ C$ to $+110^\circ C$		<b><math>+2.65/-2.0</math></b>	<b><math>+2.65/-2.15</math></b>	$^\circ C$ (max)	
	$T_A = -55^\circ C$ to $+125^\circ C$		<b><math>\pm 3.0</math></b>	<b><math>\pm 3.5</math></b>	$^\circ C$ (max)	
	$T_A = -55^\circ C$ to $+150^\circ C$		<b><math>\pm 5.0</math></b>	<b><math>\pm 5.0</math></b>	$^\circ C$ (max)	
Resolution		13			Bits	
Temperature Conversion Time	SO-8 (Note 9)	280	<b>425</b>	<b>425</b>	ms (max)	
	micro SMD (Note 9)	611	<b>925</b>	<b>925</b>	ms (max)	
Quiescent Current	SO-8	Serial Bus Inactive	310	<b>520</b>	<b>520</b>	$\mu A$ (max)
			micro SMD	265	<b>470</b>	<b>470</b>
	SO-8	Serial Bus Active	310			$\mu A$
			micro SMD	310		
	SO-8	Shutdown Mode, $V^+ = 3.3V$	7			$\mu A$
			micro SMD	3		
	SO-8	Shutdown Mode, $V^+ = 5V$	8			$\mu A$
			micro SMD	4		

## Logic Electrical Characteristics

### DIGITAL DC CHARACTERISTICS

Unless otherwise noted, these specifications apply for  $V^+ = 2.65V$  to  $3.6V$  for the LM74CIBP -3, LM74CITP-3,  $V^+ = 3.0V$  to  $3.6V$  for the LM74CIM -3 and  $V^+ = 4.5V$  to  $5.5V$  for the LM74 -5 (Note 6). **Boldface limits apply for  $T_A = T_J = T_{MIN}$  to  $T_{MAX}$** ; all other limits  $T_A = T_J = +25^\circ C$ , unless otherwise noted.

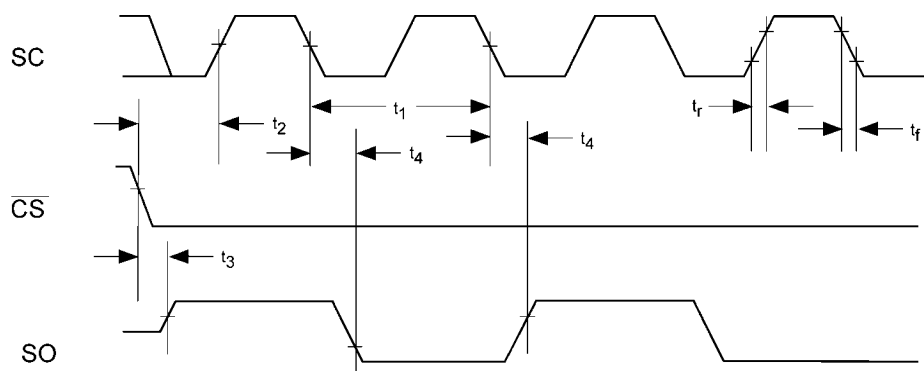
Symbol	Parameter	Conditions	Typical (Note 7)	Limits (Note 8)	Units (Limit)
$V_{IN(1)}$	Logical "1" Input Voltage			<b><math>V^+ \times 0.7</math></b> <b><math>V^+ + 0.3</math></b>	V (min) V (max)
$V_{IN(0)}$	Logical "0" Input Voltage			<b><math>-0.3</math></b> <b><math>V^+ \times 0.3</math></b>	V (min) V (max)
	Input Hysteresis Voltage	$V^+ = 3.0V$ to $3.6V$	0.8	<b>0.35</b>	V (min)
		$V^+ = 4.5V$ to $5.5V$	0.8	<b>0.33</b>	V (min)

Symbol	Parameter	Conditions	Typical (Note 7)	Limits (Note 8)	Units (Limit)
$I_{IN(1)}$	Logical "1" Input Current	$V_{IN} = V^+$	0.005	<b>3.0</b>	$\mu\text{A}$ (max)
$I_{IN(0)}$	Logical "0" Input Current	$V_{IN} = 0\text{V}$	-0.005	<b>-3.0</b>	$\mu\text{A}$ (min)
$C_{IN}$	All Digital Inputs		20		pF
$V_{OH}$	High Level Output Voltage	$I_{OH} = -400\ \mu\text{A}$		<b>2.4</b>	V (min)
$V_{OL}$	Low Level Output Voltage	$I_{OL} = +2\ \text{mA}$		<b>0.4</b>	V (max)
$I_{O\_TRI-STATE}$	TRI-STATE Output Leakage Current	$V_O = \text{GND}$ $V_O = V^+$		<b>-1</b> <b>+1</b>	$\mu\text{A}$ (min) $\mu\text{A}$ (max)

### SERIAL BUS DIGITAL SWITCHING CHARACTERISTICS

Unless otherwise noted, these specifications apply for  $V^+ = 2.65\text{V}$  to  $3.6\text{V}$  for the LM74CIBP -3, LM74CITP-3,  $V^+ = 3.0\text{V}$  to  $3.6\text{V}$  for the LM74CIM -3 and  $V^+ = 4.5\text{V}$  to  $5.5\text{V}$  for the LM74 -5 (Note 6);  $C_L$  (load capacitance) on output lines =  $100\ \text{pF}$  unless otherwise specified. **Boldface limits apply for  $T_A = T_J = T_{MIN}$  to  $T_{MAX}$** ; all other limits  $T_A = T_J = +25^\circ\text{C}$ , unless otherwise noted.

Symbol	Parameter	Conditions	Typical (Note 7)	Limits (Note 8)	Units (Limit)
$t_1$	SC (Clock) Period			<b>0.16</b> DC	$\mu\text{s}$ (min) (max)
$t_2$	$\overline{\text{CS}}$ Low to SC (Clock) High Set-Up Time			<b>100</b>	ns (min)
$t_3$	$\overline{\text{CS}}$ Low to Data Out (SO) Delay			<b>70</b>	ns (max)
$t_4$	SC (Clock) Low to Data Out (SO) Delay			<b>100</b>	ns (max)
$t_5$	$\overline{\text{CS}}$ High to Data Out (SO) TRI-STATE			<b>200</b>	ns (max)
$t_6$	SC (Clock) High to Data In (SI) Hold Time			<b>50</b>	ns (min)
$t_7$	Data In (SI) Set-Up Time to SC (Clock) High			<b>30</b>	ns (min)



10090904

FIGURE 2. Data Output Timing Diagram

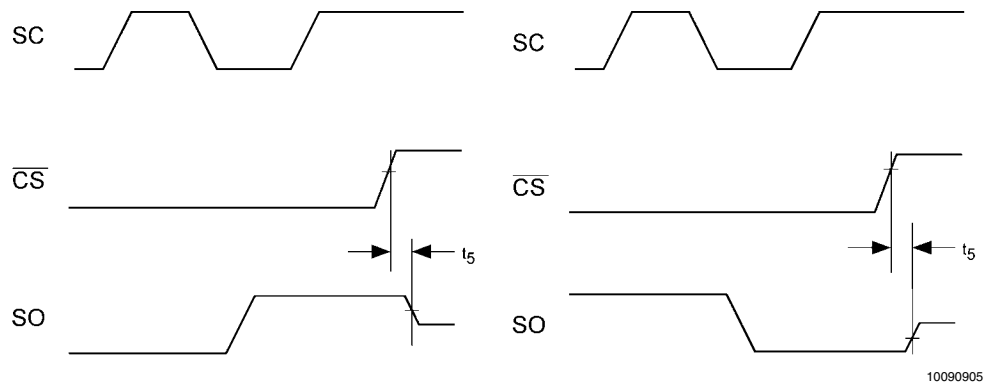


FIGURE 3. TRI-STATE Data Output Timing Diagram

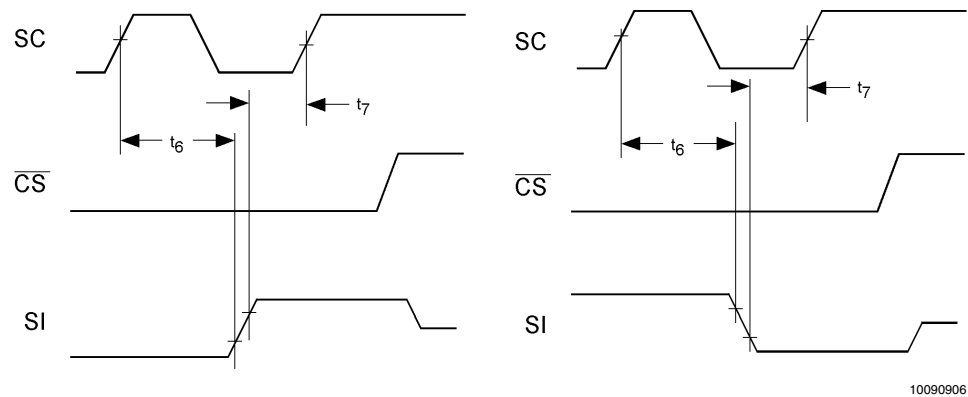


FIGURE 4. Data Input Timing Diagram

**Note 1:** Absolute Maximum Ratings indicate limits beyond which damage to the device may occur. DC and AC electrical specifications do not apply when operating the device beyond its rated operating conditions.

**Note 2:** When the input voltage ( $V_I$ ) at any pin exceeds the power supplies ( $V_I < \text{GND}$  or  $V_I > +V_S$ ) the current at that pin should be limited to 5 mA. The 20 mA maximum package input current rating limits the number of pins that can safely exceed the power supplies with an input current of 5 mA to four.

**Note 3:** Reflow temperature profiles are different for lead-free and non-lead-free packages.

**Note 4:** Human body model, 100 pF discharged through a 1.5 k $\Omega$  resistor. Machine model, 200 pF discharged directly into each pin.

**Note 5:** The life expectancy of the LM74 will be reduced when operating at elevated temperatures. LM74  $\theta_{JA}$  (thermal resistance, junction-to-ambient) when attached to a printed circuit board with 2 oz. foil is summarized in the table below:

Device Number	NS Package Number	Thermal Resistance ( $\theta_{JA}$ )
LM74CIM	M08A	160°C/W
LM74CIBP	BPD05MPB	250°C/W
LM74CITP	TPD05QSA	250°C/W

**Note 6:** All SOP (LM74CIM) parts will function over the  $V^+$  supply voltage range of 3V to 5.5V. All micro SMD (LM74SIBP and LM75CITP) parts will function over the  $V^+$  supply voltage range of 2.65V to 5.5V. The SOP (LM74CIM) parts are tested and specified for rated temperature error at their nominal supply voltage for temperature ranges of  $-10^\circ\text{C}$  to  $+65^\circ\text{C}$ ,  $-55^\circ\text{C}$  to  $+125^\circ\text{C}$  and  $-55^\circ\text{C}$  to  $+150^\circ\text{C}$ . For the SOP (LM74CIM) parts, the temperature error specifications for temperature ranges of  $-40^\circ\text{C}$  to  $+85^\circ\text{C}$ ,  $-25^\circ\text{C}$  to  $+110^\circ\text{C}$ , and  $-40^\circ\text{C}$  to  $+110^\circ\text{C}$  include error induced by power supply variation of  $\pm 5\%$  from the nominal value. For the LM74CIM (SOP) parts, the temperature error will increase by  $\pm 0.3^\circ\text{C}$  for a power supply voltage ( $V^+$ ) variation of  $\pm 10\%$  from the nominal value.

For the LM74CIBP-3 and LM74CITP-3 (micro SMD) parts all accuracies are guaranteed over the supply range of 2.65V to 3.6V, except for the temperature ranges of  $-55^\circ\text{C}$  to  $125^\circ\text{C}$  and  $-55^\circ\text{C}$  to  $+150^\circ\text{C}$  where the accuracy applies for the nominal supply voltage of 3.3V. For the LM74CIBP-5 and LM74CITP-5 (micro SMD) parts all accuracies are guaranteed over the supply range of 4.75V to 5.25V, except for the temperature ranges of  $-55^\circ\text{C}$  to  $125^\circ\text{C}$  and  $-55^\circ\text{C}$  to  $+150^\circ\text{C}$  where the accuracy applies for the nominal supply voltage of 5.0V. For the LM74CIBP and LM74CITP over  $-55^\circ\text{C}$  to  $125^\circ\text{C}$  and  $-55^\circ\text{C}$  to  $+150^\circ\text{C}$ , a power supply variation of  $\pm 10\%$  will degrade the accuracy by  $\pm 0.3^\circ\text{C}$ .

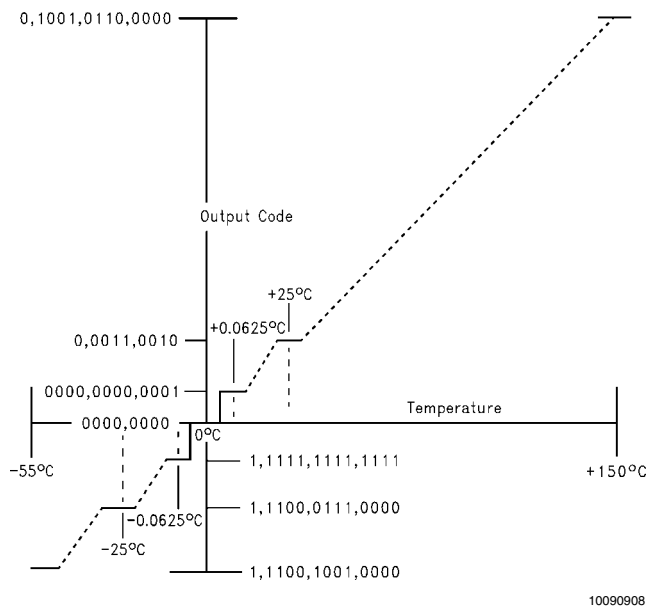
**Note 7:** Typicals are at  $T_A = 25^\circ\text{C}$  and represent most likely parametric norm.

**Note 8:** Limits are guaranteed to National's AOQL (Average Outgoing Quality Level).

**Note 9:** This specification is provided only to indicate how often temperature data is updated. The LM74 can be read at any time without regard to conversion state (and will yield last conversion result). A conversion in progress will not be interrupted. The output shift register will be updated at the completion of the read and a new conversion restarted.

**Note 10:** For best accuracy, minimize output loading. Higher sink currents can affect sensor accuracy with internal heating. This can cause an error of  $0.64^\circ\text{C}$  at full rated sink current and saturation voltage based on junction-to-ambient thermal resistance.

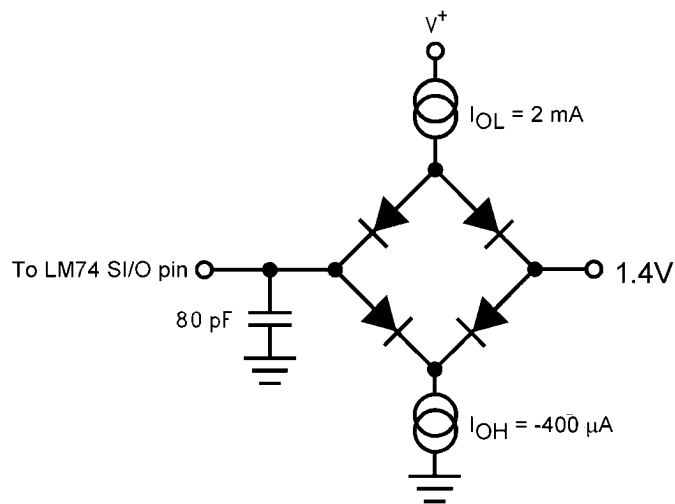
## Electrical Characteristics



10090908

FIGURE 5. Temperature-to-Digital Transfer Function (Non-linear scale for clarity)

## TRI-STATE Test Circuit

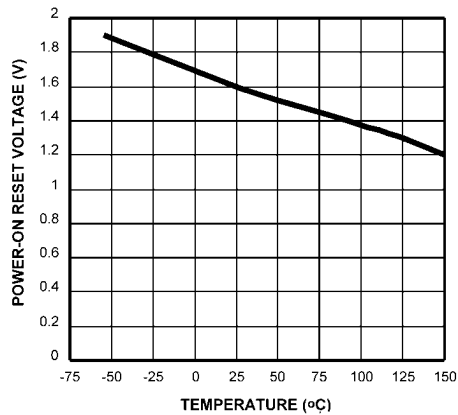


10090907

FIGURE 6.

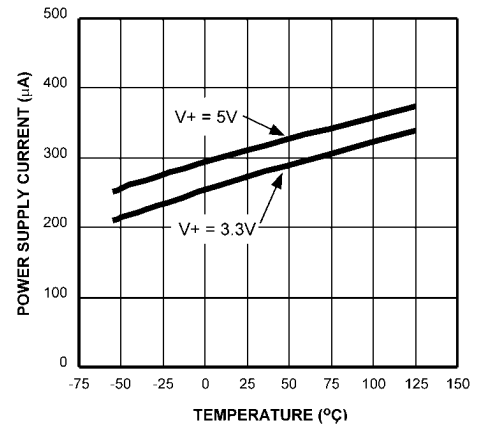
## Typical Performance Characteristics

Average Power-On Reset Voltage vs Temperature



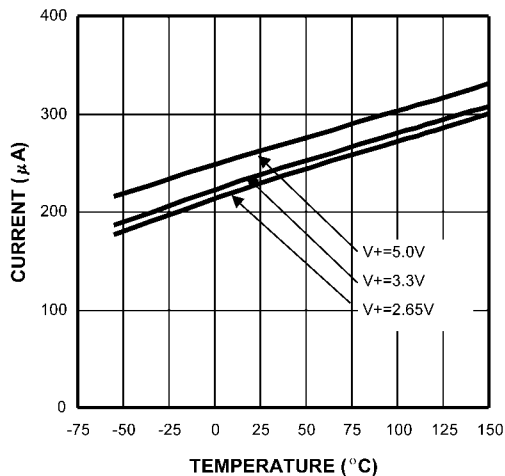
10090923

Static Supply Current vs Temperature (SO-8)



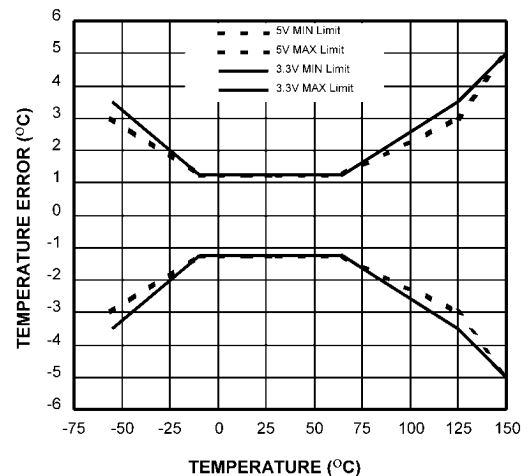
10090921

Static Supply Current vs Temperature (micro SMD)



10090925

Temperature Error (SO-8)



10090922

## 1.0 Functional Description

The LM74 temperature sensor incorporates a band-gap type temperature sensor and 12-bit plus sign  $\Delta\Sigma$  ADC (Delta-Sigma Analog-to-Digital Converter). Compatibility of the LM74's three wire serial interface with SPI and MICROWIRE allows simple communications with common microcontrollers and processors. Shutdown mode can be used to optimize current drain for different applications. A Manufacturer's/Device ID register identifies the LM74 as National Semiconductor product.

### 1.1 POWER UP AND POWER DOWN

When the supply voltage is less than about 1.6V (typical), the LM74 is considered powered down. The LM74 always powers up in a known state. When the supply voltage rises above 1.6V (typical), an internal Power-On Reset (POR) occurs and the temperature register will then contain a value of 1111 1111 0000 00XX, where XX indicates undefined values. See Section 1.5.2 for a diagram of the Temperature Register contents after POR but before completion of the first temperature conversion.

The LM74 power-up default condition is continuous conversion mode. After completion of the first full temperature conversion, the register will contain temperature measurement data in bits D15 (the temperature data MSB) through D3 (the temperature data LSB). Bit D2 will be fixed high; bits D1 and D0 are undefined. See Section 1.5.3 for a diagram of the Temperature Register contents after the first complete temperature conversion. Note that bit D2 represents a complete conversion flag. During POR it is low and, after the first temperature conversion is complete, it goes high. This bit can be polled to indicate when the POR data in the Temperature Register has been replaced with valid temperature data.

After the first conversion, and any subsequent conversions, the value in the temperature register does not change until the completion of the next conversion, at which time the temperature register is updated with the latest temperature value.

### 1.2 SERIAL BUS INTERFACE

The LM74 operates as a slave and is compatible with SPI or MICROWIRE bus specifications. Data is clocked out on the falling edge of the serial clock (SC), while data is clocked in on the rising edge of SC. A complete transmit/receive com-



munication will consist of 32 serial clocks. The first 16 clocks comprise the transmit phase of communication, while the second 16 clocks are the receive phase.

When  $\overline{CS}$  is high SI/O will be in TRI-STATE®. Communication should be initiated by taking chip select ( $\overline{CS}$ ) low. This should not be done when SC is changing from a low to high state. Once  $\overline{CS}$  is low the serial I/O pin (SI/O) will transmit the first bit of data. The master can then read this bit with the rising edge of SC. The remainder of the data will be clocked out by the falling edge of SC. Once the 14 bits of data (one sign bit, twelve temperature bits and 1 high bit) are transmitted the SI/O line will go into TRI-STATE.  $\overline{CS}$  can be taken high at any time during the transmit phase. If  $\overline{CS}$  is brought low in the middle of a conversion the LM74 will complete the conversion and the output shift register will be updated after  $\overline{CS}$  is brought back high.

The receive phase of a communication starts after 16 SC periods.  $\overline{CS}$  can remain low for 32 SC cycles. The LM74 will read the data available on the SI/O line on the rising edge of the serial clock. Input data is to an 8-bit shift register. The part will detect the last eight bits shifted into the register. The receive phase can last up to 16 SC periods. All ones must be shifted in order to place the part into shutdown. A zero in any location will take the LM74 out of shutdown. The following codes should only be transmitted to the LM74:

- 00 hex
- 01 hex
- 03 hex
- 07 hex
- 0F hex
- 1F hex
- 3F hex
- 7F hex
- FF hex

any others may place the part into a Test Mode. Test Modes are used by National Semiconductor to thoroughly test the function of the LM74 during production testing. Only eight bits have been defined above since only the last eight transmitted are detected by the LM74, before  $\overline{CS}$  is taken HIGH.

The following communication can be used to determine the Manufacturer's/Device ID and then immediately place the part into continuous conversion mode. With  $\overline{CS}$  continuously low:

- Read 16 bits of temperature data
- Write 16 bits of data commanding shutdown
- Read 16 bits of Manufacture's/Device ID data
- Write 8 to 16 bits of data commanding Conversion Mode
- Take  $\overline{CS}$  HIGH.

Note that one complete temperature conversion period will have to pass before the LM74 Temperature register will con-

tain the new temperature data. Until then, it will contain a "stale" temperature (the data that was in the register before going into shutdown mode).

### 1.3 TEMPERATURE DATA FORMAT

Temperature data is represented by a 13-bit, two's complement word with an LSB (Least Significant Bit) equal to 0.0625°C:

Temperature	Digital Output	
	Binary	Hex
+150°C	0100 1011 0000 0111	4B 07h
+125°C	0011 1110 1000 0111	3E 87h
+25°C	0000 1100 1000 0111	0C 87h
+0.0625°C	0000 0000 0000 1111	00 0Fh
0°C	0000 0000 0000 0111	00 07h
-0.0625°C	1111 1111 1111 1111	FF FFh
-25°C	1111 0011 1000 0111	F3 87h
-55°C	1110 0100 1000 0111	E4 87h

Note: The last two bits are TRI-STATE and depicted as one in the table.

The first data byte is the most significant byte with most significant bit first, permitting only as much data as necessary to be read to determine temperature condition. For instance, if the first four bits of the temperature data indicate an overtemperature condition, the host processor could immediately take action to remedy the excessive temperatures.

### 1.4 SHUTDOWN MODE/MANUFACTURER'S ID

Shutdown mode is enabled by writing XX FF to the LM74 as shown in *Figure 7c*. The serial bus is still active when the LM74 is in shutdown. Current draw drops to less than 10  $\mu$ A between serial communications. When in shutdown mode the LM74 always will output 1000 0000 0000 00XX. This is the manufacturer's/Device ID information. The first 5-bits of the field (1000 0XXX) are reserved for manufacturer's ID. As mentioned in Section 1.2, writing a zero to the LM74 configuration register will take it out of shutdown mode and place it in conversion mode. In other words, any valid code listed in Section 1.2 other than XX FF will put it in conversion mode. After leaving shutdown, but before the first temperature conversion is complete, the temperature register will contain the last measured temperature which resided in the temperature register before entering shutdown mode. After the completion of the first conversion, the temperature register will be updated with the new temperature data.

## 1.5 INTERNAL REGISTER STRUCTURE

The LM74 has three registers, the temperature register, the configuration register and the manufacturer's/device identification register.

The temperature and manufacturer's/device identification registers are read only. The configuration register is write only.

### 1.5.1 Configuration Register

(Selects shutdown or continuous conversion modes):

(Write Only):

D15	D14	D13	D12	D11	D10	D9	D8	D7	D6	D5	D4	D3	D2	D1	D0
X	X	X	X	X	X	X	X	Shutdown							

D0–D15 set to XX FF hex enables shutdown mode.

D0–D15 set to 00 00 hex sets Continuous conversion mode.

Note: setting D0-D15 to any other values may place the LM74 into a manufacturer's test mode, upon which the LM74 will stop responding as described. These test modes are to be used for National Semiconductor production testing only. See Section 1.2 Serial Bus Interface for a complete discussion.

### 1.5.2 Temperature Register (after power-up, before first complete temperature conversion)

(Read Only):

D15	D14	D13	D12	D11	D10	D9	D8	D7	D6	D5	D4	D3	D2	D1	D0
1	1	1	1	1	1	1	1	0	0	0	0	0	0	X	X

D0–D1: Undefined. TRI-STATE will be output on SI/O.

D2–D15: Power-on Reset (POR) values.

### 1.5.3 Temperature Register (after completion of first temperature conversion)

(Read Only):

D15	D14	D13	D12	D11	D10	D9	D8	D7	D6	D5	D4	D3	D2	D1	D0
MSB	Bit 11	Bit 10	Bit 9	Bit 8	Bit 7	Bit 6	Bit 5	Bit 4	Bit 3	Bit 2	Bit 1	LSB	1	X	X

D0–D1: Undefined. TRI-STATE will be output on SI/O.

D2: High.

D3–D15: Temperature Data. One LSB = 0.0625°C. Two's complement format.

### 1.5.4 Manufacturer's Device ID Register

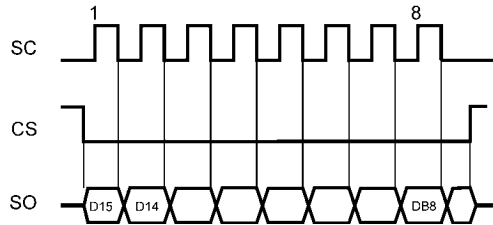
(Read Only):

D15	D14	D13	D12	D11	D10	D9	D8	D7	D6	D5	D4	D3	D2	D1	D0
1	0	0	0	0	0	0	0	0	0	0	0	0	0	X	X

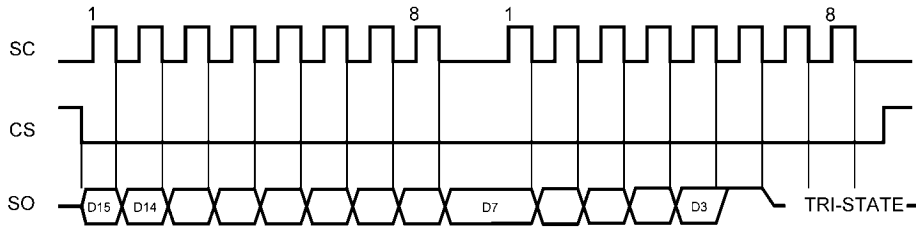
D0–D1: Undefined. TRI-STATE will be output on SI/O.

D2–D15: Manufacturer's/Device ID Data. This register is accessed whenever the LM74 is in shutdown mode.

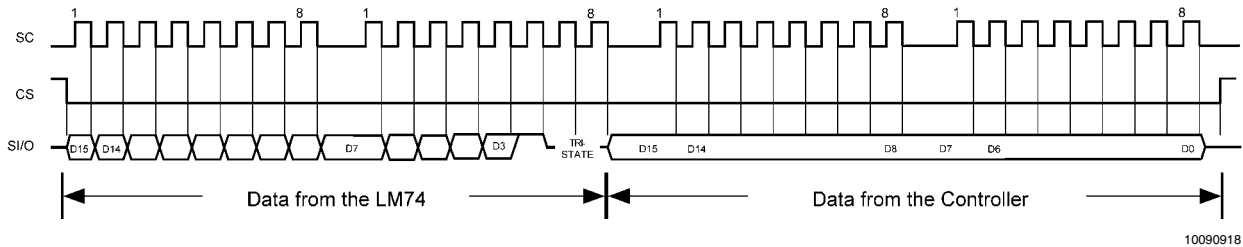
## 2.0 Serial Bus Timing Diagrams



a) Reading Continuous Conversion - Single Eight-Bit Frame 10090914



b) Reading Continuous Conversion - Two Eight-Bit Frames 10090915



c) Writing Shutdown Control 10090918

**FIGURE 7. Timing Diagrams**

### 3.0 Application Hints

To get the expected results when measuring temperature with an integrated circuit temperature sensor like the LM74, it is important to understand that the sensor measures its own die temperature. For the LM74, the best thermal path between the die and the outside world is through the LM74's pins. In the SO-8 package all the pins on the LM74 will have an equal effect on the die temperature. Because the pins represent a good thermal path to the LM74 die, the LM74 will provide an accurate measurement of the temperature of the printed circuit board on which it is mounted. There is a less efficient thermal path between the plastic package and the LM74 die. If the ambient air temperature is significantly different from the printed circuit board temperature, it will have a small effect on the measured temperature.

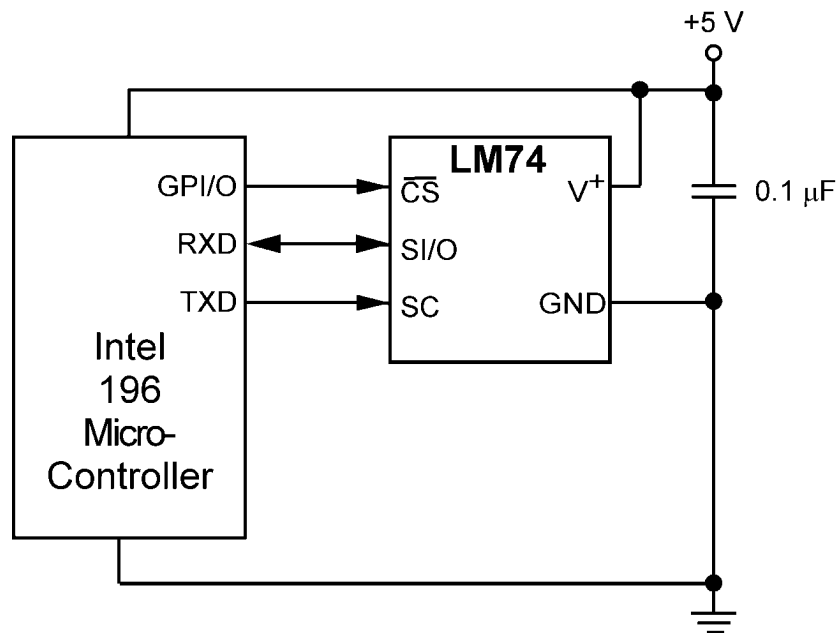
In probe-type applications, the LM74 can be mounted inside a sealed-end metal tube, and can then be dipped into a bath or screwed into a threaded hole in a tank. As with any IC, the LM74 and accompanying wiring and circuits must be kept insulated and dry, to avoid leakage and corrosion. This is

### 4.0 Typical Applications

especially true if the circuit may operate at cold temperatures where condensation can occur. Printed-circuit coatings and varnishes such as Humiseal and epoxy paints or dips are often used to insure that moisture cannot corrode the LM74 or its connections.

#### 3.1 micro SMD LIGHT SENSITIVITY

The LM74 in the micro SMD package should not be exposed to ultraviolet light. The micro SMD package does not completely encapsulate the LM74 die in epoxy. Exposing the LM74 micro SMD package to bright sunlight will not immediately cause a change in the output reading. Our experiments show that directly exposing the circuit side (bump side) of the die to high intensity ( $\geq 1 \text{ mW/cm}^2$ ) ultraviolet light, centered at a wavelength of 254nm, for greater than 20 minutes will de-program the EEPROM cells in the LM74. Since the EEPROM is used for storing calibration coefficients, the LM74 will function but the temperature accuracy will no longer be as specified. Light can penetrate through the side of the package as well, so exposure to ultra violet radiation is not recommended even after mounting.



10090920

FIGURE 8. Temperature monitor using Intel 196 processor

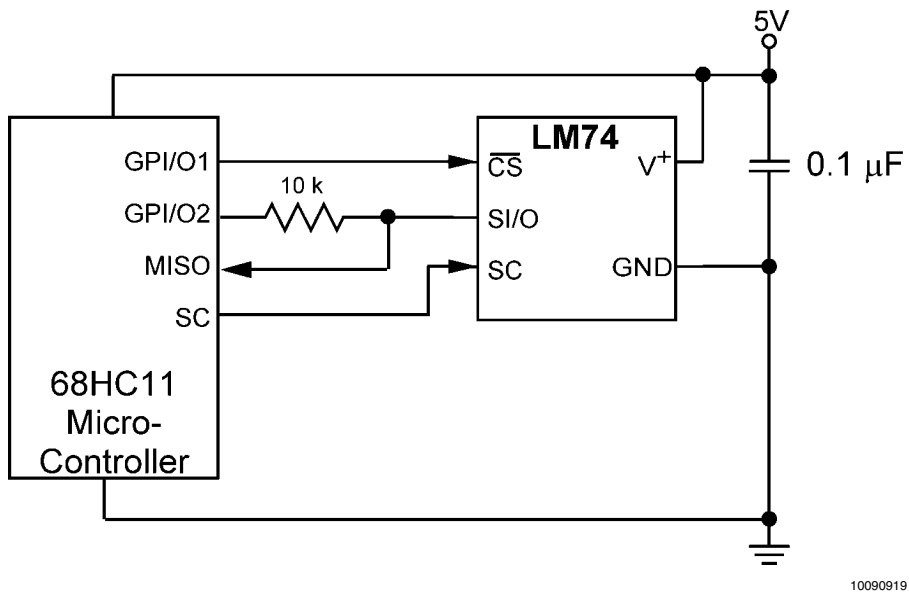
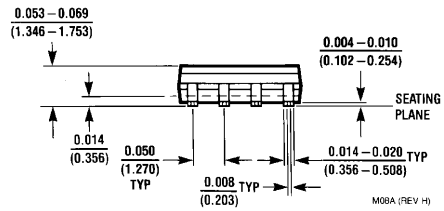
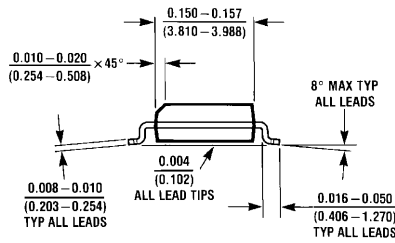
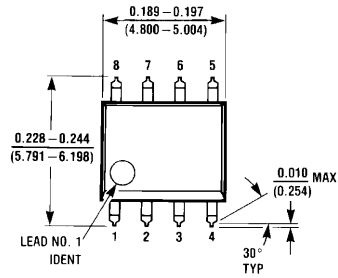
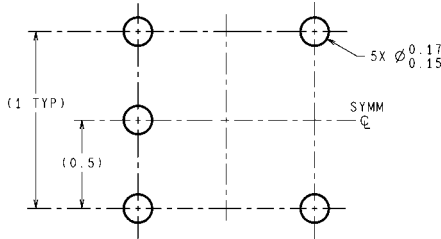


FIGURE 9. LM74 digital input control using micro-controller's general purpose I/O.

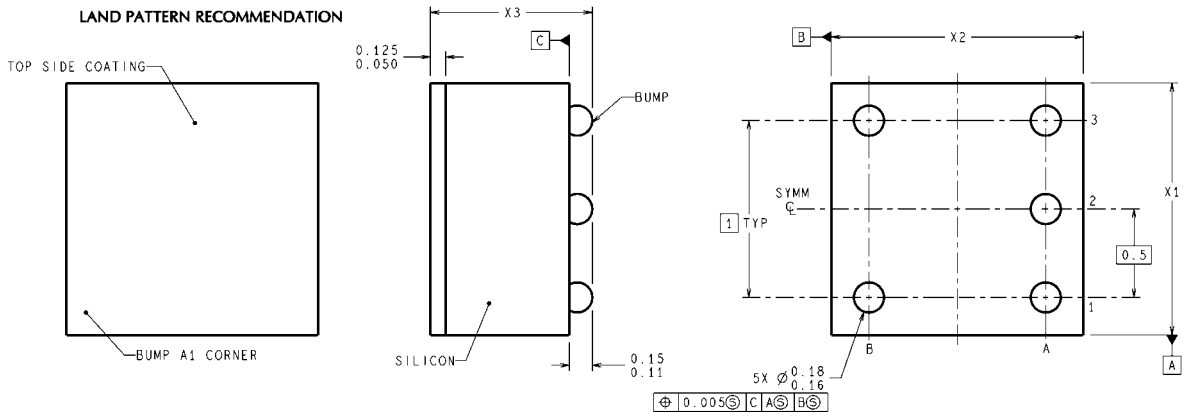
**Physical Dimensions** inches (millimeters) unless otherwise noted



**8-Lead Molded Small Outline Package**  
**Order Number LM74CIM-3, LM74CIMX-3, LM74CIM-5 or LM74CIMX-5**  
**NS Package Number M08A**

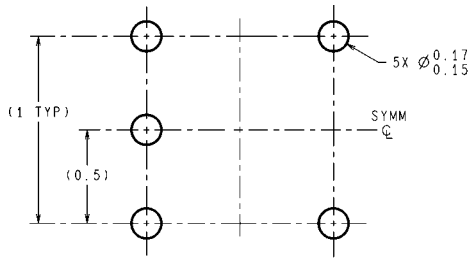


DIMENSIONS ARE IN MILLIMETERS  
 DIMENSIONS IN ( ) FOR REFERENCE ONLY



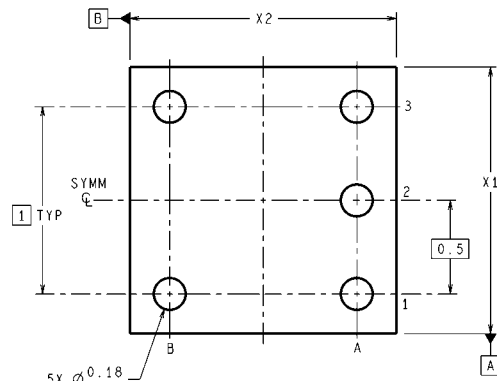
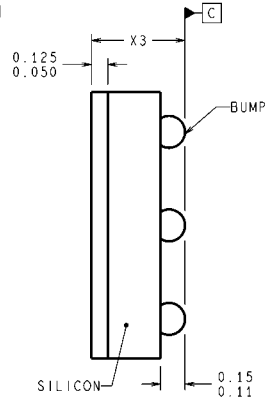
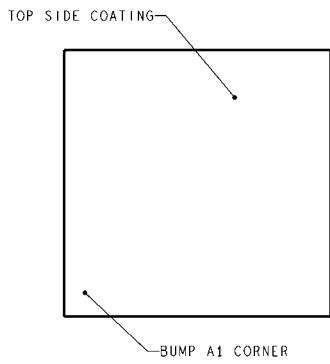
**5-Bump micro SMD Ball Grid Array Thick Package**  
**Order Number LM74CIBP-3, LM74CIBPX-3, LM74CIBP-5, LM74CIBPX-5**  
**NS Package Number BPD05MPB**  
**The following dimensions apply to the BPD05MPB package**  
**shown above: X1=1565µm ±30µm, X2=1615µm ±30µm, X3=850µm ±50µm.**

BPD05XXX (Rev E)



DIMENSIONS ARE IN MILLIMETERS  
DIMENSIONS IN ( ) FOR REFERENCE ONLY

LAND PATTERN RECOMMENDATION



⊕ 0.005 C A B

TPD05XXX (Rev A)

**5-Bump micro SMD Ball Grid Array Thin Package**  
**Order Number LM74CITP-3, LM74CITPX-3, LM74CITP-5, LM74CITPX-5**  
**NS Package Number TPD05QSA**  
**The following dimensions apply to the TPD05QSA package**  
**shown above: X1=1590µm ±30µm, X2=1641µm ±30µm, X3=500µm ±75µm.**

## Notes

For more National Semiconductor product information and proven design tools, visit the following Web sites at:  
[www.national.com](http://www.national.com)

Products		Design Support	
Amplifiers	<a href="http://www.national.com/amplifiers">www.national.com/amplifiers</a>	WEBENCH® Tools	<a href="http://www.national.com/webench">www.national.com/webench</a>
Audio	<a href="http://www.national.com/audio">www.national.com/audio</a>	App Notes	<a href="http://www.national.com/appnotes">www.national.com/appnotes</a>
Clock and Timing	<a href="http://www.national.com/timing">www.national.com/timing</a>	Reference Designs	<a href="http://www.national.com/refdesigns">www.national.com/refdesigns</a>
Data Converters	<a href="http://www.national.com/adc">www.national.com/adc</a>	Samples	<a href="http://www.national.com/samples">www.national.com/samples</a>
Interface	<a href="http://www.national.com/interface">www.national.com/interface</a>	Eval Boards	<a href="http://www.national.com/evalboards">www.national.com/evalboards</a>
LVDS	<a href="http://www.national.com/lvds">www.national.com/lvds</a>	Packaging	<a href="http://www.national.com/packaging">www.national.com/packaging</a>
Power Management	<a href="http://www.national.com/power">www.national.com/power</a>	Green Compliance	<a href="http://www.national.com/quality/green">www.national.com/quality/green</a>
Switching Regulators	<a href="http://www.national.com/switchers">www.national.com/switchers</a>	Distributors	<a href="http://www.national.com/contacts">www.national.com/contacts</a>
LDOs	<a href="http://www.national.com/ldo">www.national.com/ldo</a>	Quality and Reliability	<a href="http://www.national.com/quality">www.national.com/quality</a>
LED Lighting	<a href="http://www.national.com/led">www.national.com/led</a>	Feedback/Support	<a href="http://www.national.com/feedback">www.national.com/feedback</a>
Voltage References	<a href="http://www.national.com/vref">www.national.com/vref</a>	Design Made Easy	<a href="http://www.national.com/easy">www.national.com/easy</a>
PowerWise® Solutions	<a href="http://www.national.com/powerwise">www.national.com/powerwise</a>	Applications & Markets	<a href="http://www.national.com/solutions">www.national.com/solutions</a>
Serial Digital Interface (SDI)	<a href="http://www.national.com/sdi">www.national.com/sdi</a>	Mil/Aero	<a href="http://www.national.com/milaero">www.national.com/milaero</a>
Temperature Sensors	<a href="http://www.national.com/tempensors">www.national.com/tempensors</a>	SolarMagic™	<a href="http://www.national.com/solarmagic">www.national.com/solarmagic</a>
PLL/VCO	<a href="http://www.national.com/wireless">www.national.com/wireless</a>	PowerWise® Design University	<a href="http://www.national.com/training">www.national.com/training</a>

THE CONTENTS OF THIS DOCUMENT ARE PROVIDED IN CONNECTION WITH NATIONAL SEMICONDUCTOR CORPORATION ("NATIONAL") PRODUCTS. NATIONAL MAKES NO REPRESENTATIONS OR WARRANTIES WITH RESPECT TO THE ACCURACY OR COMPLETENESS OF THE CONTENTS OF THIS PUBLICATION AND RESERVES THE RIGHT TO MAKE CHANGES TO SPECIFICATIONS AND PRODUCT DESCRIPTIONS AT ANY TIME WITHOUT NOTICE. NO LICENSE, WHETHER EXPRESS, IMPLIED, ARISING BY ESTOPPEL OR OTHERWISE, TO ANY INTELLECTUAL PROPERTY RIGHTS IS GRANTED BY THIS DOCUMENT.

TESTING AND OTHER QUALITY CONTROLS ARE USED TO THE EXTENT NATIONAL DEEMS NECESSARY TO SUPPORT NATIONAL'S PRODUCT WARRANTY. EXCEPT WHERE MANDATED BY GOVERNMENT REQUIREMENTS, TESTING OF ALL PARAMETERS OF EACH PRODUCT IS NOT NECESSARILY PERFORMED. NATIONAL ASSUMES NO LIABILITY FOR APPLICATIONS ASSISTANCE OR BUYER PRODUCT DESIGN. BUYERS ARE RESPONSIBLE FOR THEIR PRODUCTS AND APPLICATIONS USING NATIONAL COMPONENTS. PRIOR TO USING OR DISTRIBUTING ANY PRODUCTS THAT INCLUDE NATIONAL COMPONENTS, BUYERS SHOULD PROVIDE ADEQUATE DESIGN, TESTING AND OPERATING SAFEGUARDS.

EXCEPT AS PROVIDED IN NATIONAL'S TERMS AND CONDITIONS OF SALE FOR SUCH PRODUCTS, NATIONAL ASSUMES NO LIABILITY WHATSOEVER, AND NATIONAL DISCLAIMS ANY EXPRESS OR IMPLIED WARRANTY RELATING TO THE SALE AND/OR USE OF NATIONAL PRODUCTS INCLUDING LIABILITY OR WARRANTIES RELATING TO FITNESS FOR A PARTICULAR PURPOSE, MERCHANTABILITY, OR INFRINGEMENT OF ANY PATENT, COPYRIGHT OR OTHER INTELLECTUAL PROPERTY RIGHT.

#### LIFE SUPPORT POLICY

**NATIONAL'S PRODUCTS ARE NOT AUTHORIZED FOR USE AS CRITICAL COMPONENTS IN LIFE SUPPORT DEVICES OR SYSTEMS WITHOUT THE EXPRESS PRIOR WRITTEN APPROVAL OF THE CHIEF EXECUTIVE OFFICER AND GENERAL COUNSEL OF NATIONAL SEMICONDUCTOR CORPORATION.** As used herein:

Life support devices or systems are devices which (a) are intended for surgical implant into the body, or (b) support or sustain life and whose failure to perform when properly used in accordance with instructions for use provided in the labeling can be reasonably expected to result in a significant injury to the user. A critical component is any component in a life support device or system whose failure to perform can be reasonably expected to cause the failure of the life support device or system or to affect its safety or effectiveness.

National Semiconductor and the National Semiconductor logo are registered trademarks of National Semiconductor Corporation. All other brand or product names may be trademarks or registered trademarks of their respective holders.

Copyright© 2010 National Semiconductor Corporation

For the most current product information visit us at [www.national.com](http://www.national.com)



**National Semiconductor  
Americas Technical  
Support Center**  
Email: [support@nsc.com](mailto:support@nsc.com)  
Tel: 1-800-272-9959

**National Semiconductor Europe  
Technical Support Center**  
Email: [europe.support@nsc.com](mailto:europe.support@nsc.com)

**National Semiconductor Asia  
Pacific Technical Support Center**  
Email: [ap.support@nsc.com](mailto:ap.support@nsc.com)

**National Semiconductor Japan  
Technical Support Center**  
Email: [jpn.feedback@nsc.com](mailto:jpn.feedback@nsc.com)