

9300/DM9300 4-Bit Parallel-Access Shift Register

General Description

The 9300 4-bit registers feature parallel inputs, parallel outputs, JK serial inputs, shift/load control input, and a direct overriding clear. The registers have two modes of operation: parallel (broadside) load and shift (in direction Q_A toward Q_D).

Parallel loading is accomplished by applying the four bits of data and taking the shift/load control input low. The data is loaded into the associated flip-flops, and appears at the outputs after the positive transition of the clock input. During loading, serial data flow is inhibited.

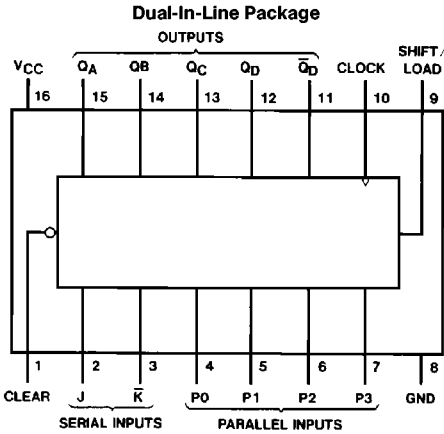
Shifting is accomplished synchronously when the shift/load control input is high. Serial data for this mode is entered at the JK inputs. These inputs permit the first stage to perform as a JK, D or T-type flip-flop as shown in the function table.

These shift registers are fully compatible with most other TTL and DTL families. All inputs, including the clock, are buffered to lower the drive requirements to one normalized Series 54/74 load.

Features

- Fully buffered inputs
- Direct overriding clear
- Synchronous parallel load
- Parallel inputs and outputs from each flip-flop
- Positive edge-triggered clocking
- J and \bar{K} inputs to first stage
- Typical shift frequency—39 MHz

Connection Diagram



Order Number 9300DMQB,
9300FMQB or DM9300N
See NS Package Number
J16A, N16E or W16A

TL/F/6600-1

Function Table

Clear	Shift/Load	Clock	Inputs				Outputs							
			Serial		Parallel				Q _A	Q _B	Q _C	Q _D	\bar{Q}_D	
			J	\bar{K}	P0	P1	P2	P3						
L	X	X	X	X	X	X	X	X	X	L	L	L	L	H
H	L	↑	X	X	a	b	c	d		a	b	c	d	\bar{d}
H	H	L	X	X	X	X	X	X		Q _{A0}	Q _{B0}	Q _{C0}	Q _{D0}	\bar{Q}_{D0}
H	H	↑	L	H	X	X	X	X		Q _{A0}	Q _{A0}	Q _{Bn}	Q _{Cn}	\bar{Q}_{Cn}
H	H	↑	L	L	X	X	X	X		L	Q _{An}	Q _{Bn}	Q _{Cn}	\bar{Q}_{Cn}
H	H	↑	H	H	X	X	X	X		H	Q _{An}	Q _{Bn}	Q _{Cn}	\bar{Q}_{Cn}
H	H	↑	H	L	X	X	X	X		\bar{Q}_{An}	Q _{An}	Q _{Bn}	Q _{Bn}	\bar{Q}_{Cn}

H = High Level (Steady State)

L = Low Level (Steady State)

X = Don't Care

↑ = Transition from low-to-high level

a, b, c, d, = The level of steady state input at P0, P1, P2, or P3 respectively.

Q_{A0}, Q_{B0}, Q_{C0}, Q_{D0} = The level of Q_A, Q_B, Q_C, or Q_D, respectively before the indicated steady state input conditions were established.

Q_{An}, Q_{Bn}, Q_{Cn} = The level of Q_A, Q_B, Q_C, respectively, before the most recent ↑ transition of the clock.

Absolute Maximum Ratings (Note)

If Military/Aerospace specified devices are required, please contact the National Semiconductor Sales Office/Distributors for availability and specifications.

Supply Voltage	7V
Input Voltage	5.5V
Storage Temperature Range	-65°C to +150°C
Operating Free Air Temperature Range	
Military	-55°C to +125°C
Commercial	0°C to +70°C

Note: The "Absolute Maximum Ratings" are those values beyond which the safety of the device cannot be guaranteed. The device should not be operated at these limits. The parametric values defined in the "Electrical Characteristics" table are not guaranteed at the absolute maximum ratings. The "Recommended Operating Conditions" table will define the conditions for actual device operation.

Recommended Operating Conditions

Symbol	Parameter	Military			Commercial			Units
		Min	Nom	Max	Min	Nom	Max	
V _{CC}	Supply Voltage	4.5	5	5.5	4.75	5	5.25	V
V _{IH}	High Level Input Voltage	2			2			V
V _{IL}	Low Level Input Voltage			0.8			0.8	V
I _{OH}	High Level Output Current			-0.48			-0.8	mA
I _{OL}	Low Level Output Current			9.6			16	mA
f _{CLK}	Clock Frequency (Note 5)	0		30	0		30	MHz
t _w	Pulse Width (Note 5)	Clock	17		16	11		ns
		Clear	25		30	15		
t _{SU}	Setup Time (Note 5)	S/L	36		30	13		ns
		Data	18		20	13		
		Clear	36		30	13		
t _H	Data Hold Time (Note 5)	0			0	-11		ns
t _{REL}	S/L Release Time (Notes 1 and 5)	10			10			ns
T _A	Free Air Operating Temperature	-55		125	0		70	°C

Electrical Characteristics over recommended operating free air temperature range (unless otherwise noted)

Symbol	Parameter	Conditions	Min	Typ (Note 2)	Max	Units
V _I	Input Clamp Voltage	V _{CC} = Min, I _I = -12 mA			-1.5	V
V _{OH}	High Level Output Voltage	V _{CC} = Min, I _{OH} = Max V _{IL} = Max, V _{IH} = Min	2.4			V
V _{OL}	Low Level Output Voltage	V _{CC} = Min, I _{OL} = Max V _{IH} = Min, V _{IL} = Max			0.4	V
I _I	Input Current @ Max Input Voltage	V _{CC} = Max, V _I = 5.5V			1	mA
I _{IH}	High Level Input Current	V _{CC} = Max, V _I = 2.4V	Input		40	μA
			CP Input		80	
			PE Input		92	
I _{IL}	Low Level Input Current	V _{CC} = Max, V _I = 0.4V	Input		-1.6	mA
			CP Input		-3.2	
			PE Input		-3.7	
I _{OS}	Short Circuit Output Current	V _{CC} = Max (Note 3)	MIL	-20	-80	mA
			COM	-18	-55	
I _{CC}	Supply Current	V _{CC} = Max (Note 4)	MIL		86	mA
			COM		92	

Note 1: RELEASE TIME: t_{RELEASE} is defined as the maximum time allowed for the logic level to be present at the logic input prior to the clock transition from low to high in order for the flip-flop(s) not to respond.

Note 2: All typicals are at V_{CC} = 5V, T_A = 25°C.

Note 3: Not more than one output should be shorted at a time.

Note 4: With all outputs open, SHIFT/LOAD grounded, and 4.5V applied to J, K, and data inputs, I_{CC} is measured by applying momentary ground, then 4.5V to CLEAR, and then to CLOCK.

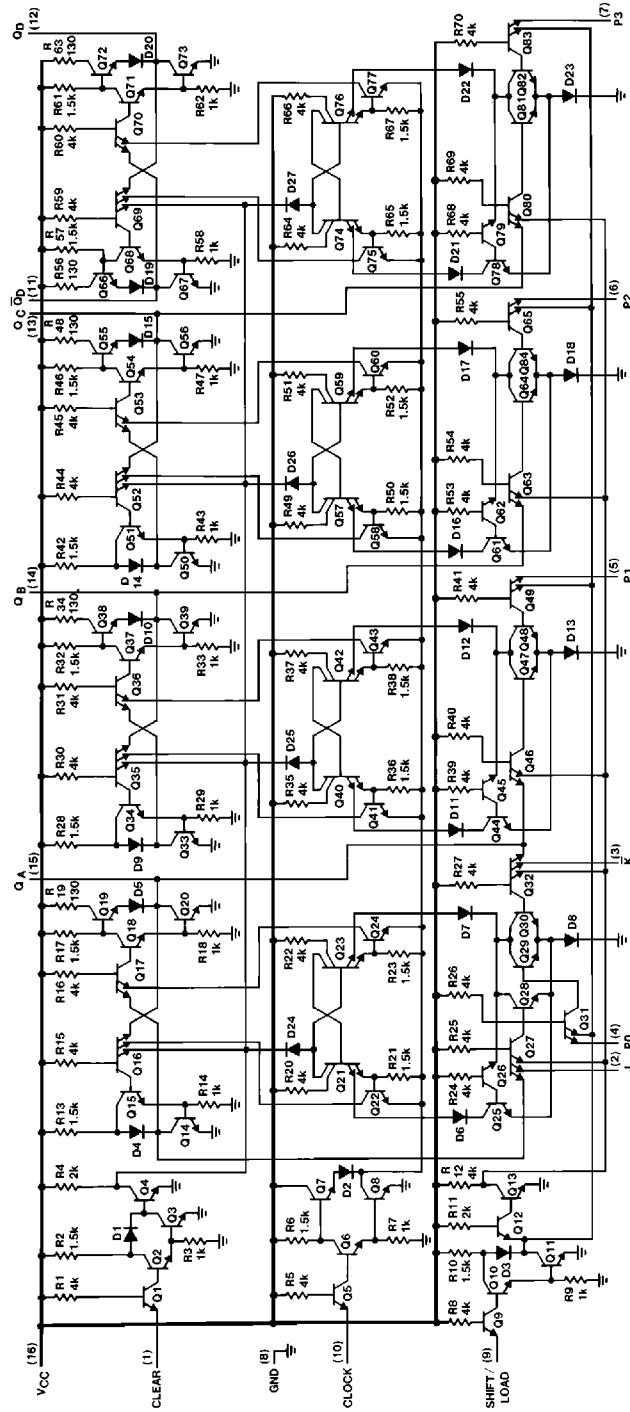
Note 5: T_A = 25°C and V_{CC} = 5V.

Switching Characteristics at $V_{CC} = 5V$ and $T_A = 25^\circ C$ (See Section 1 for Test Waveforms and Output Load)

Symbol	Parameter	From (Input) To (Output)	Military		Commercial		Units
			$R_L = 400\Omega, C_L = 15\text{ pF}$		$R_L = 400\Omega, C_L = 15\text{ pF}$		
			Min	Max	Min	Max	
f_{MAX}	Maximum Clock Frequency		30		30		MHz
t_{PLH}	Propagation Delay Time Low to High Level Output	Clock to Output		20		22	ns
t_{PHL}	Propagation Delay Time High to Low Level Output	Clock to Output		24		26	ns
t_{PHL}	Propagation Delay Time High to Low Level Output	Clear to Output		37		30	ns

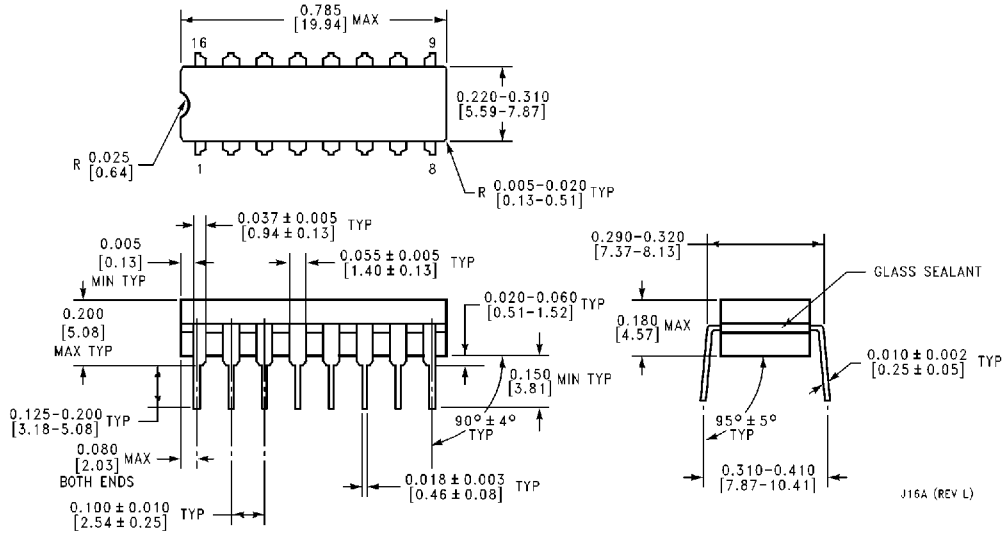
Schematic Diagram

DM9300

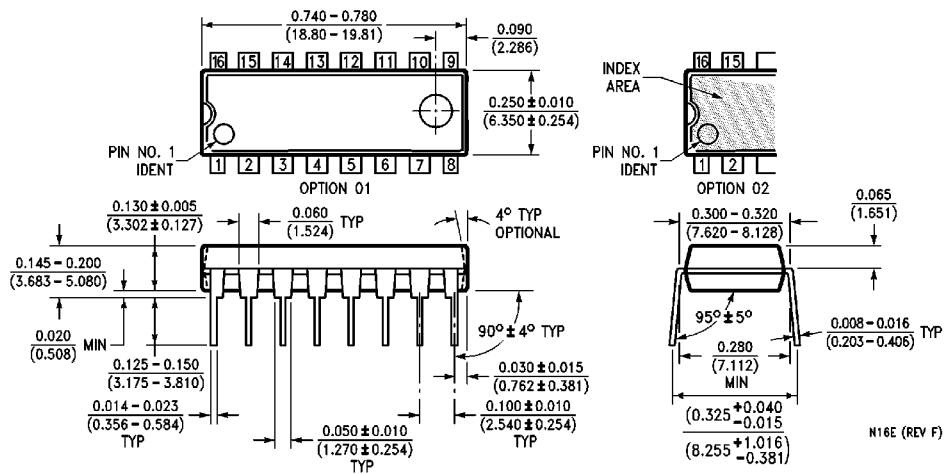


TU/F/6600-2

Physical Dimensions inches (millimeters)

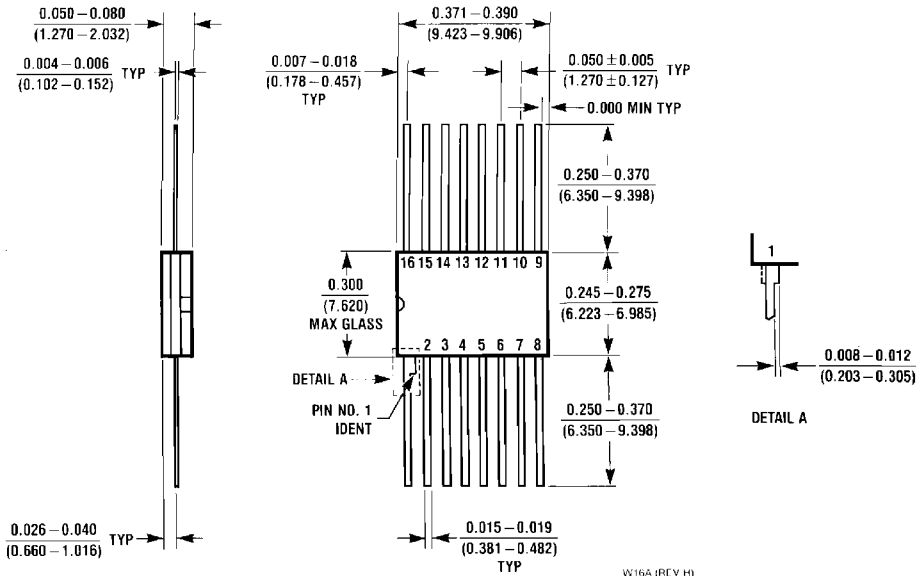


16-Lead Ceramic Dual-In-Line Package (J)
Order Number 9300DMQB
NS Package Number J16A



16-Lead Molded Dual-In-Line Package (N)
Order Number DM9300N
NS Package Number N16E

Physical Dimensions inches (millimeters) (Continued)



16-Lead Ceramic Flat Package (W)
Order Number 9300FMQB
NS Package Number W16A

LIFE SUPPORT POLICY

NATIONAL'S PRODUCTS ARE NOT AUTHORIZED FOR USE AS CRITICAL COMPONENTS IN LIFE SUPPORT DEVICES OR SYSTEMS WITHOUT THE EXPRESS WRITTEN APPROVAL OF THE PRESIDENT OF NATIONAL SEMICONDUCTOR CORPORATION. As used herein:

1. Life support devices or systems are devices or systems which, (a) are intended for surgical implant into the body, or (b) support or sustain life, and whose failure to perform, when properly used in accordance with instructions for use provided in the labeling, can be reasonably expected to result in a significant injury to the user.
2. A critical component is any component of a life support device or system whose failure to perform can be reasonably expected to cause the failure of the life support device or system, or to affect its safety or effectiveness.



National Semiconductor Corporation
 1111 West Bardin Road
 Arlington, TX 76017
 Tel: 1(800) 272-9959
 Fax: 1(800) 737-7018

National Semiconductor Europe
 Fax: (+49) 0-180-530 85 86
 Email: onjwge@tevm2.nsc.com
 Deutsch Tel: (+49) 0-180-530 85 85
 English Tel: (+49) 0-180-532 78 32
 Français Tel: (+49) 0-180-532 93 58
 Italiano Tel: (+49) 0-180-534 16 80

National Semiconductor Hong Kong Ltd.
 13th Floor, Straight Block,
 Ocean Centre, 5 Canton Rd.
 Tsimshatsui, Kowloon
 Hong Kong
 Tel: (852) 2737-1600
 Fax: (852) 2736-9960

National Semiconductor Japan Ltd.
 Tel: 81-043-299-2309
 Fax: 81-043-299-2408

National does not assume any responsibility for use of any circuitry described, no circuit patent licenses are implied and National reserves the right at any time without notice to change said circuitry and specifications.