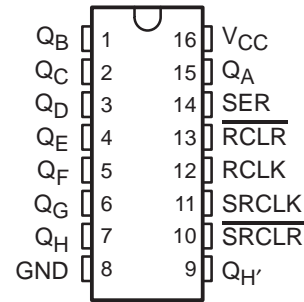


SN54LV594A, SN74LV594A 8-BIT SHIFT REGISTERS WITH OUTPUT REGISTERS

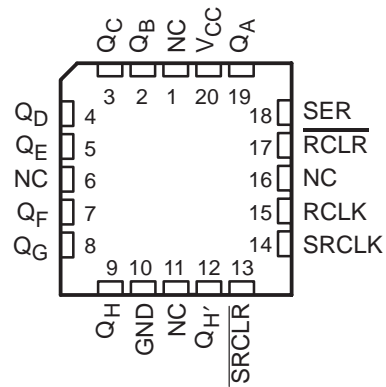
SCLS413B – APRIL 1998 – REVISED SEPTEMBER 1999

- **EPIC™ (Enhanced-Performance Implanted CMOS) Process**
- **Typical V_{OLP} (Output Ground Bounce) <0.8 V at $V_{CC} = 3.3$ V, $T_A = 25^\circ\text{C}$**
- **Typical V_{OHV} (Output V_{OH} Undershoot) >2 V at $V_{CC} = 3.3$ V, $T_A = 25^\circ\text{C}$**
- **8-Bit Serial-In, Parallel-Out Shift Registers With Storage**
- **Independent Direct Overriding Clears on Shift and Storage Registers**
- **Independent Clocks for Shift and Storage Registers**
- **Latch-Up Performance Exceeds 100 mA Per JESD 78, Class II**
- **ESD Protection Exceeds JESD 22**
 - 2000-V Human-Body Model (A114-A)
 - 200-V Machine Model (A115-A)
 - 1000-V Charged-Device Model (C101)
- **Package Options Include Plastic Small-Outline (D, NS), Shrink Small-Outline (DB), and Thin Shrink Small-Outline (PW) Packages, Ceramic Flat (W) Packages, Chip Carriers (FK), and DIPs (J)**

SN54LV594A . . . J OR W PACKAGE
SN74LV594A . . . D, DB, NS, OR PW PACKAGE
(TOP VIEW)



SN54LV594A . . . FK PACKAGE
(TOP VIEW)



NC – No internal connection

description

The 'LV594A devices are 8-bit shift registers designed for 2-V to 5.5-V V_{CC} operation.

These devices contain an 8-bit serial-in, parallel-out shift register that feeds an 8-bit D-type storage register. Separate clocks (\overline{RCLR} , \overline{SRCLR}) and direct overriding clear (\overline{RCLR} , \overline{SRCLR}) inputs are provided on the shift and storage registers. A serial output ($Q_{H'}$) is provided for cascading purposes.

The shift-register (\overline{SRCLK}) and storage-register (RCLK) clocks are positive-edge triggered. If the clocks are tied together, the shift register always is one clock pulse ahead of the storage register.

The SN54LV594A is characterized for operation over the full military temperature range of -55°C to 125°C . The SN74LV594A is characterized for operation from -40°C to 85°C .



Please be aware that an important notice concerning availability, standard warranty, and use in critical applications of Texas Instruments semiconductor products and disclaimers thereto appears at the end of this data sheet.

EPIC is a trademark of Texas Instruments Incorporated.

UNLESS OTHERWISE NOTED this document contains PRODUCTION DATA information current as of publication date. Products conform to specifications per the terms of Texas Instruments standard warranty. Production processing does not necessarily include testing of all parameters.

 **TEXAS
INSTRUMENTS**

POST OFFICE BOX 655303 • DALLAS, TEXAS 75265

Copyright © 1999, Texas Instruments Incorporated

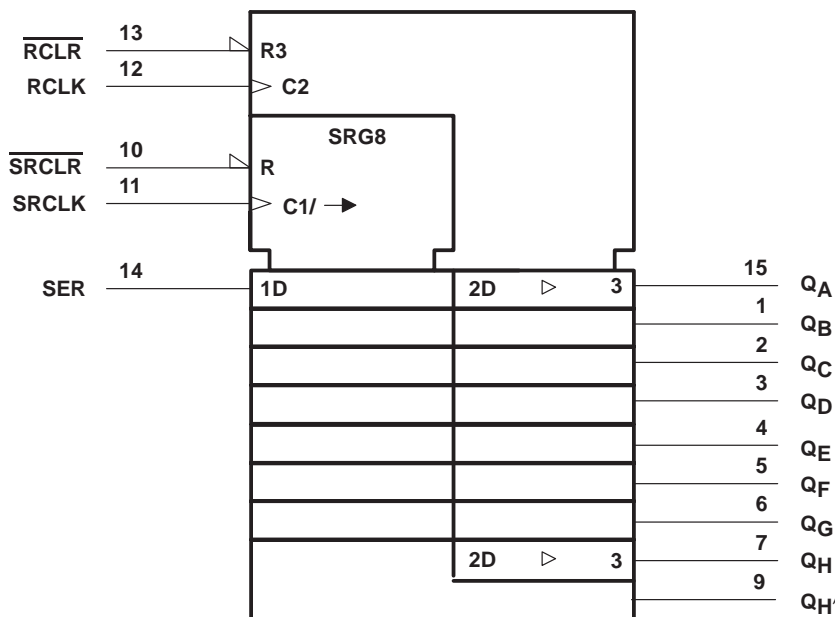
SN54LV594A, SN74LV594A 8-BIT SHIFT REGISTERS WITH OUTPUT REGISTERS

SCLS413B – APRIL 1998 – REVISED SEPTEMBER 1999

FUNCTION TABLE

| INPUTS | | | | | FUNCTION |
|--------|-------|-------|------|------|---|
| SER | SRCLK | SRCLR | RCLK | RCLR | |
| X | X | L | X | X | Shift register is cleared. |
| L | ↑ | H | X | X | First stage of shift register goes low. Other stages store the data of previous stage, respectively. |
| H | ↑ | H | X | X | First stage of shift register goes high. Other stages store the data of previous stage, respectively. |
| L | ↓ | H | X | X | Shift register state is not changed. |
| X | X | X | X | L | Storage register is cleared. |
| X | X | X | ↑ | H | Shift register data is stored in the storage register. |
| X | X | X | ↓ | H | Storage register state is not changed. |

logic symbol†

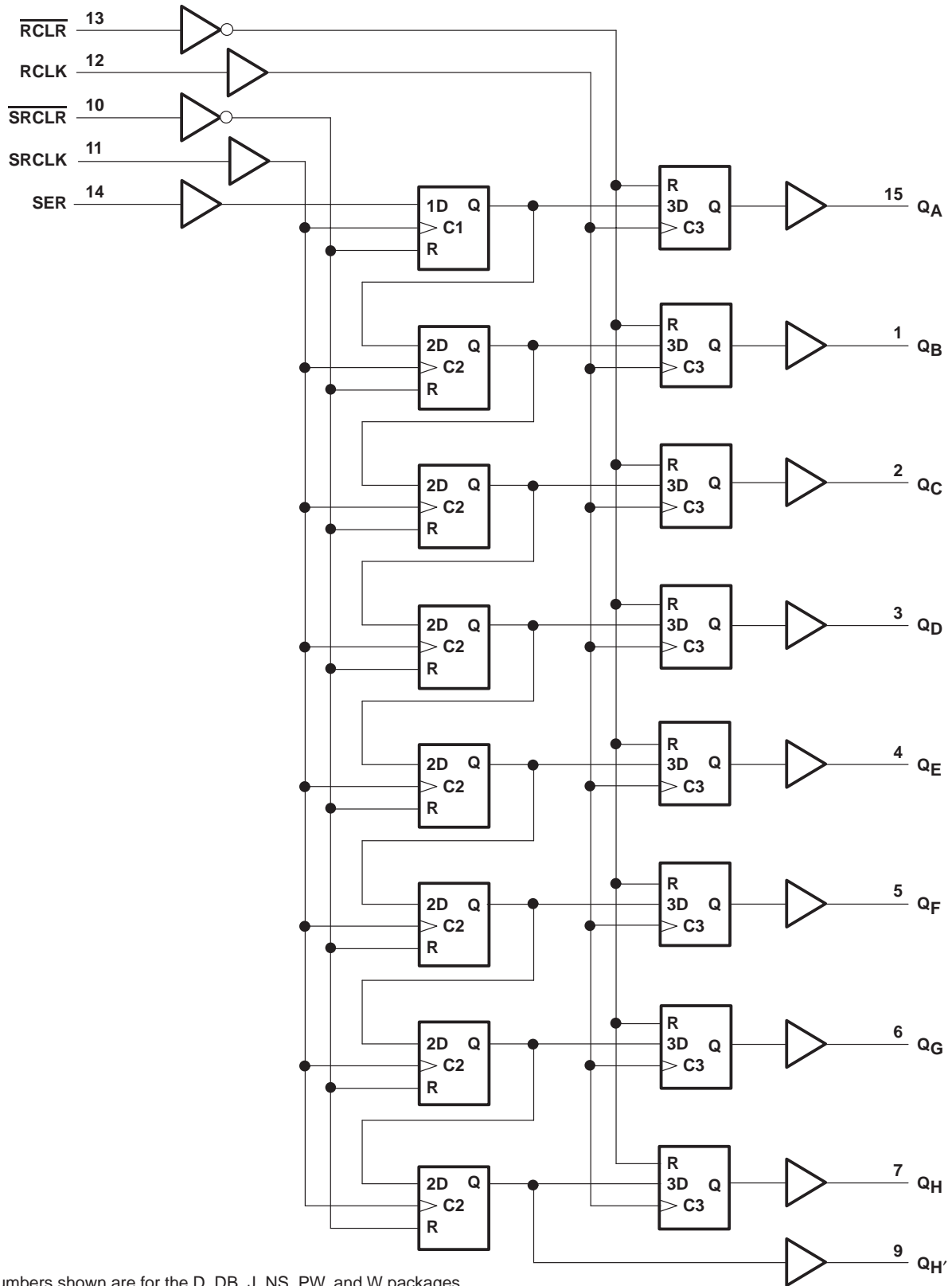


† This symbol is in accordance with ANSI/IEEE Std 91-1984 and IEC Publication 617-12. Pin numbers shown are for the D, DB, J, NS, PW, and W packages.

SN54LV594A, SN74LV594A 8-BIT SHIFT REGISTERS WITH OUTPUT REGISTERS

SCLS413B – APRIL 1998 – REVISED SEPTEMBER 1999

logic diagram (positive logic)



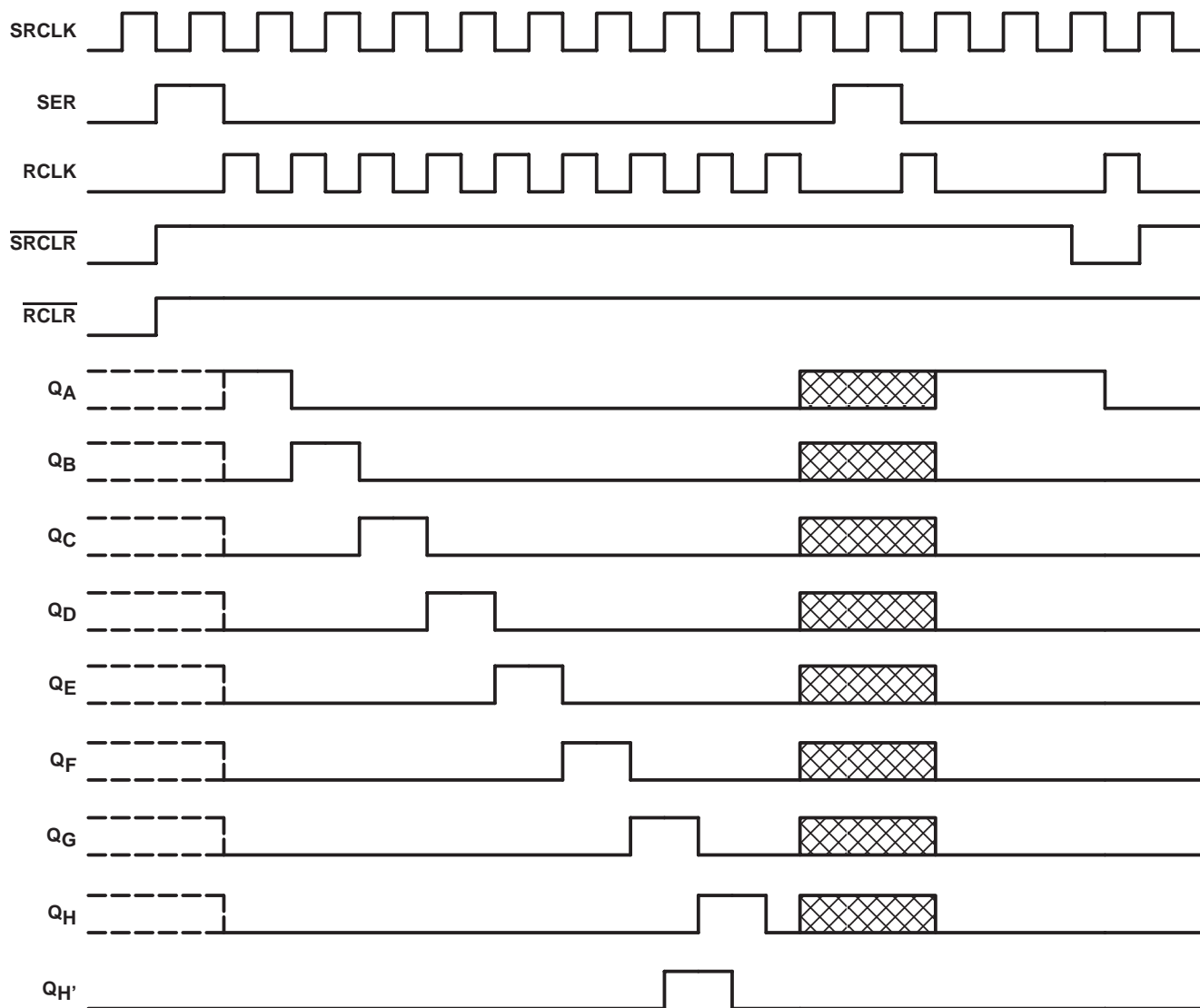
Pin numbers shown are for the D, DB, J, NS, PW, and W packages.



SN54LV594A, SN74LV594A 8-BIT SHIFT REGISTERS WITH OUTPUT REGISTERS

SCLS413B – APRIL 1998 – REVISED SEPTEMBER 1999

timing diagram



SN54LV594A, SN74LV594A 8-BIT SHIFT REGISTERS WITH OUTPUT REGISTERS

SCLS413B – APRIL 1998 – REVISED SEPTEMBER 1999

absolute maximum ratings over operating free-air temperature range (unless otherwise noted)†

| | |
|--|----------------------------|
| Supply voltage range, V_{CC} | –0.5 V to 7 V |
| Input voltage range, V_I (see Note 1) | –0.5 V to 7 V |
| Output voltage range, V_O (see Notes 1 and 2) | –0.5 V to $V_{CC} + 0.5$ V |
| Input clamp current, I_{IK} ($V_I < 0$) | –20 mA |
| Output clamp current, I_{OK} ($V_O < 0$ or $V_O > V_{CC}$) | ±50 mA |
| Continuous output current, I_O ($V_O = 0$ to V_{CC}) | ±35 mA |
| Continuous current through V_{CC} or GND | ±70 mA |
| Package thermal impedance, θ_{JA} (see Note 3): D package | 73°C/W |
| DB package | 82°C/W |
| NS package | 64°C/W |
| PW package | 108°C/W |
| Storage temperature range, T_{stg} | –65°C to 150°C |

† Stresses beyond those listed under “absolute maximum ratings” may cause permanent damage to the device. These are stress ratings only, and functional operation of the device at these or any other conditions beyond those indicated under “recommended operating conditions” is not implied. Exposure to absolute-maximum-rated conditions for extended periods may affect device reliability.

- NOTES: 1. The input and output voltage ratings may be exceeded if the input and output current ratings are observed.
 2. This value is limited to 7 V maximum.
 3. The package thermal impedance is calculated in accordance with JESD 51.

recommended operating conditions (see Note 4)

| | | SN54LV594A | | SN74LV594A | | UNIT | |
|---------------------|------------------------------------|---------------------------|---------------------|---------------------|----------|---------|------|
| | | MIN | MAX | MIN | MAX | | |
| V_{CC} | Supply voltage | 2 | 5.5 | 2 | 5.5 | V | |
| V_{IH} | High-level input voltage | $V_{CC} = 2$ V | 1.5 | 1.5 | | V | |
| | | $V_{CC} = 2.3$ V to 2.7 V | $V_{CC} \times 0.7$ | $V_{CC} \times 0.7$ | | | |
| | | $V_{CC} = 3$ V to 3.6 V | $V_{CC} \times 0.7$ | $V_{CC} \times 0.7$ | | | |
| | | $V_{CC} = 4.5$ V to 5.5 V | $V_{CC} \times 0.7$ | $V_{CC} \times 0.7$ | | | |
| V_{IL} | Low-level input voltage | $V_{CC} = 2$ V | 0.5 | 0.5 | | V | |
| | | $V_{CC} = 2.3$ V to 2.7 V | $V_{CC} \times 0.3$ | $V_{CC} \times 0.3$ | | | |
| | | $V_{CC} = 3$ V to 3.6 V | $V_{CC} \times 0.3$ | $V_{CC} \times 0.3$ | | | |
| | | $V_{CC} = 4.5$ V to 5.5 V | $V_{CC} \times 0.3$ | $V_{CC} \times 0.3$ | | | |
| V_I | Input voltage | 0 | 5.5 | 0 | 5.5 | V | |
| V_O | Output voltage | 0 | V_{CC} | 0 | V_{CC} | V | |
| I_{OH} | High-level output current | $V_{CC} = 2$ V | –50 | –50 | | μ A | |
| | | $V_{CC} = 2.3$ V to 2.7 V | –2 | –2 | | | |
| | | $V_{CC} = 3$ V to 3.6 V | –6 | –6 | | mA | |
| | | $V_{CC} = 4.5$ V to 5.5 V | –12 | –12 | | | |
| I_{OL} | Low-level output current | $V_{CC} = 2$ V | 50 | 50 | | μ A | |
| | | $V_{CC} = 2.3$ V to 2.7 V | 2 | 2 | | | |
| | | $V_{CC} = 3$ V to 3.6 V | 6 | 6 | | mA | |
| | | $V_{CC} = 4.5$ V to 5.5 V | 12 | 12 | | | |
| $\Delta t/\Delta v$ | Input transition rise or fall rate | $V_{CC} = 2.3$ V to 2.7 V | 0 | 200 | 0 | 200 | ns/V |
| | | $V_{CC} = 3$ V to 3.6 V | 0 | 100 | 0 | 100 | |
| | | $V_{CC} = 4.5$ V to 5.5 V | 0 | 20 | 0 | 20 | |
| T_A | Operating free-air temperature | –55 | 125 | –40 | 85 | °C | |

NOTE 4: All unused inputs of the device must be held at V_{CC} or GND to ensure proper device operation. Refer to the TI application report, *Implications of Slow or Floating CMOS Inputs*, literature number SCBA004.

PRODUCT PREVIEW information concerns products in the formative or design phase of development. Characteristic data and other specifications are design goals. Texas Instruments reserves the right to change or discontinue these products without notice.



POST OFFICE BOX 655303 • DALLAS, TEXAS 75265

SN54LV594A, SN74LV594A 8-BIT SHIFT REGISTERS WITH OUTPUT REGISTERS

SCLS413B – APRIL 1998 – REVISED SEPTEMBER 1999

electrical characteristics over recommended operating free-air temperature range (unless otherwise noted)

| PARAMETER | TEST CONDITIONS | V _{CC} | SN54LV594A | | | SN74LV594A | | | UNIT |
|------------------|---|-----------------|----------------------|-----|-----|----------------------|-----|-----|------|
| | | | MIN | TYP | MAX | MIN | TYP | MAX | |
| V _{OH} | I _{OH} = -50 μA | 2 V to 5.5 V | V _{CC} -0.1 | | | V _{CC} -0.1 | | | V |
| | I _{OH} = -2 mA | 2.3 V | 2 | | | 2 | | | |
| | I _{OH} = -6 mA | 3 V | 2.48 | | | 2.48 | | | |
| | I _{OH} = -12 mA | 4.5 V | 3.8 | | | 3.8 | | | |
| V _{OL} | I _{OL} = 50 μA | 2 V to 5.5 V | 0.1 | | | 0.1 | | | V |
| | I _{OL} = 2 mA | 2.3 V | 0.4 | | | 0.4 | | | |
| | I _{OL} = 6 mA | 3 V | 0.44 | | | 0.44 | | | |
| | I _{OL} = 12 mA | 4.5 V | 0.55 | | | 0.55 | | | |
| I _I | V _I = V _{CC} or GND | 5.5 V | ±1 | | | ±1 | | | μA |
| I _{CC} | V _I = V _{CC} or GND, I _O = 0 | 5.5 V | 20 | | | 20 | | | μA |
| I _{off} | V _I or V _O = 0 to 5.5 V | 0 V | 5 | | | 5 | | | μA |
| C _i | V _I = V _{CC} or GND | 3.3 V | 3.5 | | | 3.5 | | | pF |
| | | 5 V | 2 | | | 2 | | | |

timing requirements over recommended operating free-air temperature range, V_{CC} = 2.5 V ± 0.2 V (unless otherwise noted) (see Figure 1)

| | | | T _A = 25°C | | SN54LV594A | | SN74LV594A | | UNIT |
|-----------------|----------------|-------------------------------------|-----------------------|-----|------------|-----|------------|-----|------|
| | | | MIN | MAX | MIN | MAX | MIN | MAX | |
| t _w | Pulse duration | RCLK or SRCLK high or low | 7 | | 7.5 | | 7.5 | | ns |
| | | RCLR or SRCLR low | 6 | | 6.5 | | 6.5 | | |
| t _{su} | Setup time | SER before SRCLK↑ | 2.5 | | 3 | | 3 | | ns |
| | | SRCLK↑ before RCLK↑† | 8 | | 9 | | 9 | | |
| | | SRCLR low before RCLK↑ | 8.5 | | 9.5 | | 9.5 | | |
| | | SRCLR high (inactive) before SRCLK↑ | 6 | | 6.8 | | 6.8 | | |
| | | RCLR high (inactive) before RCLK↑ | 6.7 | | 7.6 | | 7.6 | | |
| t _h | Hold time | SER after SRCLK↑ | 1.5 | | 1.5 | | 1.5 | | ns |

† This setup time ensures the output register sees stable data from the shift-register outputs. The clocks can be tied together, in which case the shift register is one clock pulse ahead of the storage register.

timing requirements over recommended operating free-air temperature range, V_{CC} = 3.3 V ± 0.3 V (unless otherwise noted) (see Figure 1)

| | | | T _A = 25°C | | SN54LV594A | | SN74LV594A | | UNIT |
|-----------------|----------------|-------------------------------------|-----------------------|-----|------------|-----|------------|-----|------|
| | | | MIN | MAX | MIN | MAX | MIN | MAX | |
| t _w | Pulse duration | RCLK or SRCLK high or low | 5.5 | | 5.5 | | 5.5 | | ns |
| | | RCLR or SRCLR low | 5 | | 5 | | 5 | | |
| t _{su} | Setup time | SER before SRCLK↑ | 3.5 | | 3.5 | | 3.5 | | ns |
| | | SRCLK↑ before RCLK↑† | 8 | | 8.5 | | 8.5 | | |
| | | SRCLR low before RCLK↑ | 8 | | 9 | | 9 | | |
| | | SRCLR high (inactive) before SRCLK↑ | 4.2 | | 4.8 | | 4.8 | | |
| | | RCLR high (inactive) before RCLK↑ | 4.6 | | 5.3 | | 5.3 | | |
| t _h | Hold time | SER after SRCLK↑ | 1.5 | | 1.5 | | 1.5 | | ns |

† This setup time ensures the output register sees stable data from the shift-register outputs. The clocks can be tied together, in which case the shift register is one clock pulse ahead of the storage register.

PRODUCT PREVIEW information concerns products in the formative or design phase of development. Characteristic data and other specifications are design goals. Texas Instruments reserves the right to change or discontinue these products without notice.



SN54LV594A, SN74LV594A 8-BIT SHIFT REGISTERS WITH OUTPUT REGISTERS

SCLS413B – APRIL 1998 – REVISED SEPTEMBER 1999

timing requirements over recommended operating free-air temperature range, $V_{CC} = 5\text{ V} \pm 0.5\text{ V}$ (unless otherwise noted) (see Figure 1)

| | | | $T_A = 25^\circ\text{C}$ | | SN54LV594A | | SN74LV594A | | UNIT |
|----------|----------------|---|--------------------------|-----|------------|-----|------------|-----|------|
| | | | MIN | MAX | MIN | MAX | MIN | MAX | |
| t_w | Pulse duration | RCLK or SRCLK high or low | 5 | | 5 | | 5 | | ns |
| | | $\overline{\text{RCLR}}$ or $\overline{\text{SRCLR}}$ low | 5.2 | | 5.2 | | 5.2 | | |
| t_{su} | Setup time | SER before SRCLK \uparrow | 3 | | 3 | | 3 | | ns |
| | | SRCLK \uparrow before RCLK \uparrow | 5 | | 5 | | 5 | | |
| | | $\overline{\text{SRCLR}}$ low before RCLK \uparrow | 5 | | 5 | | 5 | | |
| | | $\overline{\text{SRCLR}}$ high (inactive) before SRCLK \uparrow | 2.9 | | 3.3 | | 3.3 | | |
| | | $\overline{\text{RCLR}}$ high (inactive) before RCLK \uparrow | 3.2 | | 3.7 | | 3.7 | | |
| t_h | Hold time | SER after SRCLK \uparrow | 2 | | 2 | | 2 | | ns |

† This setup time ensures the output register sees stable data from the shift-register outputs. The clocks can be tied together, in which case the shift register is one clock pulse ahead of the storage register.

switching characteristics over recommended operating free-air temperature range, $V_{CC} = 2.5\text{ V} \pm 0.2\text{ V}$ (unless otherwise noted) (see Figure 1)

| PARAMETER | FROM (INPUT) | TO (OUTPUT) | LOAD CAPACITANCE | $T_A = 25^\circ\text{C}$ | | | SN54LV594A | | SN74LV594A | | UNIT | | |
|-------------|---------------------------|-------------|------------------------|--------------------------|------|------|------------|------|------------|------|------|------|----|
| | | | | MIN | TYP | MAX | MIN | MAX | MIN | MAX | | | |
| f_{max} | | | $C_L = 15\text{ pF}^*$ | 65 | 80 | | 45 | | 45 | | MHz | | |
| | | | $C_L = 50\text{ pF}$ | 60 | 70 | | 40 | | 40 | | | | |
| t_{PLH}^* | RCLK | Q_A-Q_H | $C_L = 15\text{ pF}$ | 6.4 | 10.6 | | 1 | 11.1 | 1 | 11.1 | ns | | |
| t_{PHL}^* | | | | 6.3 | 10.4 | | 1 | 11.1 | 1 | 11.1 | | | |
| t_{PLH}^* | SRCLK | Q_H' | | 7.4 | 12.1 | | 1 | 12.8 | 1 | 12.8 | | | |
| t_{PHL}^* | | | | 7.2 | 11.6 | | 1 | 12.8 | 1 | 12.8 | | | |
| t_{PHL}^* | $\overline{\text{RCLR}}$ | Q_A-Q_H | | 7.9 | 12.7 | | 1 | 13.6 | 1 | 13.6 | | | |
| t_{PHL}^* | $\overline{\text{SRCLR}}$ | Q_H' | | 7.4 | 11.9 | | 1 | 13.1 | 1 | 13.1 | | | |
| t_{PLH} | RCLK | Q_A-Q_H | | $C_L = 50\text{ pF}$ | 9.5 | 14.1 | | 1 | 14.6 | 1 | | 14.6 | ns |
| t_{PHL} | | | | | 10.8 | 15.5 | | 1 | 17.2 | 1 | | 17.2 | |
| t_{PLH} | SRCLK | Q_H' | | | 10.6 | 15.7 | | 1 | 16.5 | 1 | | 16.5 | |
| t_{PHL} | | | | | 11.3 | 16.1 | | 1 | 18.6 | 1 | | 18.6 | |
| t_{PHL} | $\overline{\text{RCLR}}$ | Q_A-Q_H | 12.1 | | 17.4 | | 1 | 19 | 1 | 19 | | | |
| t_{PHL} | $\overline{\text{SRCLR}}$ | Q_H' | 11.6 | | 16.5 | | 1 | 18.6 | 1 | 18.6 | | | |

* On products compliant to MIL-PRF-38535, this parameter is not production tested.

PRODUCT PREVIEW information concerns products in the formative or design phase of development. Characteristic data and other specifications are design goals. Texas Instruments reserves the right to change or discontinue these products without notice.



POST OFFICE BOX 655303 • DALLAS, TEXAS 75265

SN54LV594A, SN74LV594A 8-BIT SHIFT REGISTERS WITH OUTPUT REGISTERS

SCLS413B – APRIL 1998 – REVISED SEPTEMBER 1999

switching characteristics over recommended operating free-air temperature range,
 $V_{CC} = 3.3 V \pm 0.3 V$ (unless otherwise noted) (see Figure 1)

| PARAMETER | FROM (INPUT) | TO (OUTPUT) | LOAD CAPACITANCE | $T_A = 25^\circ C$ | | | SN54LV594A | | SN74LV594A | | UNIT |
|-------------|--------------------|-------------|------------------|--------------------|-----|------|------------|------|------------|------|------|
| | | | | MIN | TYP | MAX | MIN | MAX | MIN | MAX | |
| f_{max} | | | $C_L = 15 pF^*$ | 80 | 120 | | 70 | | 70 | | MHz |
| | | | $C_L = 50 pF$ | 55 | 105 | | 50 | | 50 | | |
| t_{PLH}^* | RCLK | Q_A-Q_H | $C_L = 15 pF$ | | 4.6 | 8 | 1 | 8.5 | 1 | 8.5 | ns |
| t_{PHL}^* | | | | | 4.9 | 8.2 | 1 | 8.8 | 1 | 8.8 | |
| t_{PLH}^* | SRCLK | Q_H | | | 5.4 | 9.1 | 1 | 9.7 | 1 | 9.7 | |
| t_{PHL}^* | | | | | 5.5 | 9.2 | 1 | 9.9 | 1 | 9.9 | |
| t_{PHL}^* | \overline{RCLR} | Q_A-Q_H | | | 6 | 9.8 | 1 | 10.6 | 1 | 10.6 | |
| t_{PHL}^* | \overline{SRCLR} | Q_H | | | 5.6 | 9.2 | 1 | 10 | 1 | 10 | |
| t_{PLH} | RCLK | Q_A-Q_H | $C_L = 50 pF$ | | 6.9 | 10.5 | 1 | 11.1 | 1 | 11.1 | ns |
| t_{PHL} | | | | | 8.1 | 11.9 | 1 | 13.1 | 1 | 13.1 | |
| t_{PLH} | SRCLK | Q_H | | | 7.7 | 11.7 | 1 | 12.4 | 1 | 12.4 | |
| t_{PHL} | | | | | 8.4 | 12.5 | 1 | 13.9 | 1 | 13.9 | |
| t_{PHL} | \overline{RCLR} | Q_A-Q_H | | | 9.1 | 13.1 | 1 | 14.4 | 1 | 14.4 | |
| t_{PHL} | \overline{SRCLR} | Q_H | | | 8.5 | 12.4 | 1 | 14 | 1 | 14 | |

* On products compliant to MIL-PRF-38535, this parameter is not production tested.

switching characteristics over recommended operating free-air temperature range,
 $V_{CC} = 5 V \pm 0.5 V$ (unless otherwise noted) (see Figure 1)

| PARAMETER | FROM (INPUT) | TO (OUTPUT) | LOAD CAPACITANCE | $T_A = 25^\circ C$ | | | SN54LV594A | | SN74LV594A | | UNIT |
|-------------|--------------------|-------------|------------------|--------------------|-----|-----|------------|------|------------|------|------|
| | | | | MIN | TYP | MAX | MIN | MAX | MIN | MAX | |
| f_{max} | | | $C_L = 15 pF^*$ | 135 | 170 | | 115 | | 115 | | MHz |
| | | | $C_L = 50 pF$ | 120 | 140 | | 95 | | 95 | | |
| t_{PLH}^* | RCLK | Q_A-Q_H | $C_L = 15 pF$ | | 3.3 | 6.2 | 1 | 6.5 | 1 | 6.5 | ns |
| t_{PHL}^* | | | | | 3.7 | 6.5 | 1 | 6.9 | 1 | 6.9 | |
| t_{PLH}^* | SRCLK | Q_H | | | 3.7 | 6.8 | 1 | 7.2 | 1 | 7.2 | |
| t_{PHL}^* | | | | | 4.1 | 7.2 | 1 | 7.6 | 1 | 7.6 | |
| t_{PHL}^* | \overline{RCLR} | Q_A-Q_H | | | 4.5 | 7.6 | 1 | 8.2 | 1 | 8.2 | |
| t_{PHL}^* | \overline{SRCLR} | Q_H | | | 4.1 | 7.1 | 1 | 7.6 | 1 | 7.6 | |
| t_{PLH} | RCLK | Q_A-Q_H | $C_L = 50 pF$ | | 4.9 | 7.8 | 1 | 8.3 | 1 | 8.3 | ns |
| t_{PHL} | | | | | 5.8 | 8.9 | 1 | 9.7 | 1 | 9.7 | |
| t_{PLH} | SRCLK | Q_H | | | 5.5 | 8.6 | 1 | 9.1 | 1 | 9.1 | |
| t_{PHL} | | | | | 6 | 9.2 | 1 | 10.1 | 1 | 10.1 | |
| t_{PHL} | \overline{RCLR} | Q_A-Q_H | | | 6.6 | 10 | 1 | 10.7 | 1 | 10.7 | |
| t_{PHL} | \overline{SRCLR} | Q_H | | | 6 | 9.2 | 1 | 10.1 | 1 | 10.1 | |

* On products compliant to MIL-PRF-38535, this parameter is not production tested.

PRODUCT PREVIEW information concerns products in the formative or design phase of development. Characteristic data and other specifications are design goals. Texas Instruments reserves the right to change or discontinue these products without notice.



SN54LV594A, SN74LV594A
8-BIT SHIFT REGISTERS
WITH OUTPUT REGISTERS

SCLS413B – APRIL 1998 – REVISED SEPTEMBER 1999

noise characteristics, $V_{CC} = 3.3\text{ V}$, $C_L = 50\text{ pF}$, $T_A = 25^\circ\text{C}$ (see Note 5)

| PARAMETER | SN74LV594A | | | UNIT |
|--|------------|------|------|------|
| | MIN | TYP | MAX | |
| $V_{OL(P)}$ Quiet output, maximum dynamic V_{OL} | | 0.5 | 0.8 | V |
| $V_{OL(V)}$ Quiet output, minimum dynamic V_{OL} | | -0.1 | -0.8 | V |
| $V_{OH(V)}$ Quiet output, minimum dynamic V_{OH} | | 2.8 | | V |
| $V_{IH(D)}$ High-level dynamic input voltage | 2.31 | | | V |
| $V_{IL(D)}$ Low-level dynamic input voltage | | | 0.99 | V |

NOTE 5: Characteristics are for surface-mount packages only.

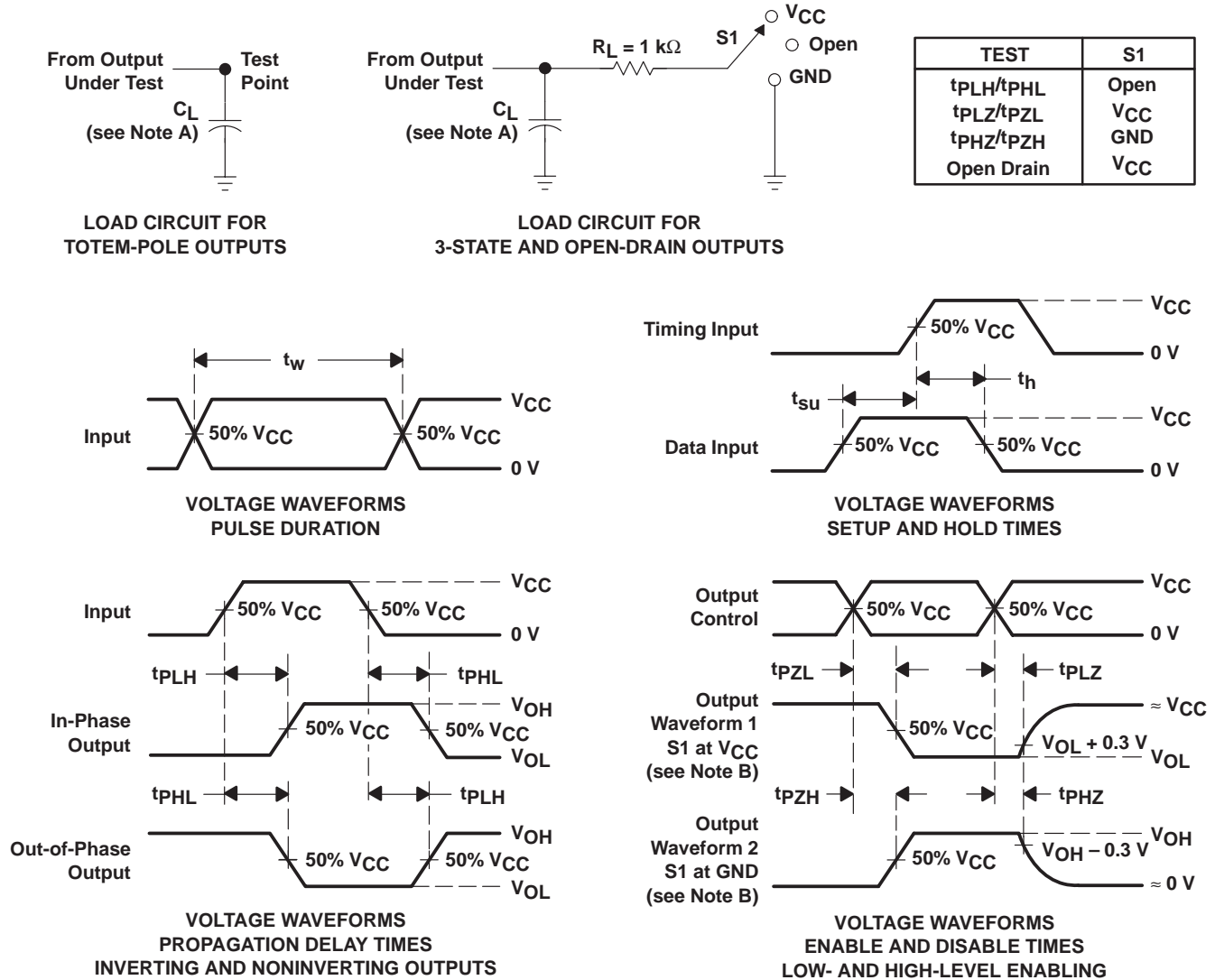
operating characteristics, $T_A = 25^\circ\text{C}$

| PARAMETER | TEST CONDITIONS | V_{CC} | TYP | UNIT |
|--|---------------------|----------|-----|------|
| C_{pd} Power dissipation capacitance | $f = 10\text{ MHz}$ | 3.3 V | 93 | pF |
| | | 5 V | 112 | |

SN54LV594A, SN74LV594A 8-BIT SHIFT REGISTERS WITH OUTPUT REGISTERS

SCLS413B – APRIL 1998 – REVISED SEPTEMBER 1999

PARAMETER MEASUREMENT INFORMATION



- NOTES:
- C_L includes probe and jig capacitance.
 - Waveform 1 is for an output with internal conditions such that the output is low except when disabled by the output control. Waveform 2 is for an output with internal conditions such that the output is high except when disabled by the output control.
 - All input pulses are supplied by generators having the following characteristics: PRR $\leq 1\text{ MHz}$, $Z_O = 50\ \Omega$, $t_r \leq 3\text{ ns}$, $t_f \leq 3\text{ ns}$.
 - The outputs are measured one at a time with one input transition per measurement.
 - t_{PLZ} and t_{PHZ} are the same as t_{dis} .
 - t_{PZL} and t_{PZH} are the same as t_{en} .
 - t_{PHL} and t_{PLH} are the same as t_{pd} .

Figure 1. Load Circuit and Voltage Waveforms

IMPORTANT NOTICE

Texas Instruments and its subsidiaries (TI) reserve the right to make changes to their products or to discontinue any product or service without notice, and advise customers to obtain the latest version of relevant information to verify, before placing orders, that information being relied on is current and complete. All products are sold subject to the terms and conditions of sale supplied at the time of order acknowledgement, including those pertaining to warranty, patent infringement, and limitation of liability.

TI warrants performance of its semiconductor products to the specifications applicable at the time of sale in accordance with TI's standard warranty. Testing and other quality control techniques are utilized to the extent TI deems necessary to support this warranty. Specific testing of all parameters of each device is not necessarily performed, except those mandated by government requirements.

CERTAIN APPLICATIONS USING SEMICONDUCTOR PRODUCTS MAY INVOLVE POTENTIAL RISKS OF DEATH, PERSONAL INJURY, OR SEVERE PROPERTY OR ENVIRONMENTAL DAMAGE ("CRITICAL APPLICATIONS"). TI SEMICONDUCTOR PRODUCTS ARE NOT DESIGNED, AUTHORIZED, OR WARRANTED TO BE SUITABLE FOR USE IN LIFE-SUPPORT DEVICES OR SYSTEMS OR OTHER CRITICAL APPLICATIONS. INCLUSION OF TI PRODUCTS IN SUCH APPLICATIONS IS UNDERSTOOD TO BE FULLY AT THE CUSTOMER'S RISK.

In order to minimize risks associated with the customer's applications, adequate design and operating safeguards must be provided by the customer to minimize inherent or procedural hazards.

TI assumes no liability for applications assistance or customer product design. TI does not warrant or represent that any license, either express or implied, is granted under any patent right, copyright, mask work right, or other intellectual property right of TI covering or relating to any combination, machine, or process in which such semiconductor products or services might be or are used. TI's publication of information regarding any third party's products or services does not constitute TI's approval, warranty or endorsement thereof.