

# LM3303/LM3403 Quad Operational Amplifiers

## General Description

The LM3303 and LM3403 are monolithic quad operational amplifiers consisting of four independent high gain, internally frequency compensated, operational amplifiers designed to operate from a single power supply or dual power supplies over a wide range of voltages. The common mode input range includes the negative supply, thereby eliminating the necessity for external biasing components in many applications.

- Four internally compensated operational amplifiers in a single package
- Wide power supply range single supply of 3.0V to 36V dual supply of  $\pm 1.5V$  to  $\pm 18V$
- Class AB output stage for minimal crossover distortion
- Short circuit protected outputs
- High open loop gain 200k
- LM741 operational amplifier type performance

## Features

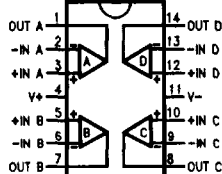
- Input common mode voltage range includes ground or negative supply
- Output voltage can swing to ground or negative supply

## Applications

- Filters
- Voltage controlled oscillators

## Connection Diagram

14-Lead DIP and SO-14 Package



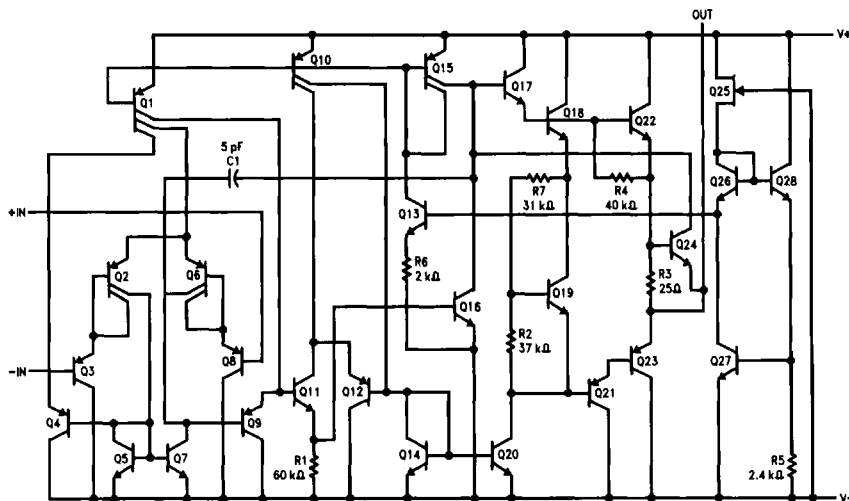
Top View

TL/H/10064-1

## Order Information

Device Code	Package Code	Package Description
LM3303J	J14A	Ceramic DIP
LM3303N	N14A	Molded DIP
LM3303M	M14A	Molded Surface Mount
LM3403J	J14A	Ceramic DIP
LM3403N	N14A	Molded DIP
LM3403M	M14A	Molded Surface Mount

## Equivalent Circuit (1/4 of Circuit)



TL/H/10064-2

## Absolute Maximum Ratings

If Military/Aerospace specified devices are required, please contact the National Semiconductor Sales Office/Distributors for availability and specifications.

Storage Temperature Range		
Ceramic DIP	-65°C to +175°C	
Molded DIP and SO-14	-65°C to +150°C	
Operating Temperature Range		
Industrial (LM3303)	-40°C to +85°C	
Commercial (LM3403)	0°C to +70°C	
Lead Temperature		
Ceramic DIP (Soldering, 60 sec.)	300°C	
Molded DIP and SO-14 (Soldering, 10 sec.)	265°C	

Internal Power Dissipation (Notes 1, 2)

14L-Ceramic DIP	1.36W
14L-Molded DIP	1.04W
SO-14	0.93W

Supply Voltage between V+ and V-

Differential Input Voltage (Note 3) ±30V

Input Voltage (V-) - 0.3V to V+

ESD Tolerance (To Be Determined)

## LM3303 and LM3403

Electrical Characteristics  $T_A = 25^\circ\text{C}$ ,  $V_{CC} = \pm 15\text{V}$ , unless otherwise specified

Symbol	Parameter		Conditions	LM3303			LM3403			Units
				Min	Typ	Max	Min	Typ	Max	
$V_{IO}$	Input Offset Voltage				2.0	8.0		2.0	8.0	mV
$I_{IO}$	Input Offset Current				30	75		30	50	nA
$I_{IB}$	Input Bias Current				200	500		200	500	nA
$Z_I$	Input Impedance			0.3	1.0		0.3	1.0		M $\Omega$
$I_{CC}$	Supply Current		$V_O = 0\text{V}$ , $R_L = \infty$		2.8	7.0		2.8	7.0	mA
CMR	Common Mode Rejection		$R_S \leq 10\text{ k}\Omega$	70	90		70	90		dB
$V_{IR}$	Input Voltage Range			+12V to V-	+12.5V to V-		+13V to V-	+13.5V to V-		V
PSRR	Power Supply Rejection Ratio				30	150		30	150	$\mu\text{V/V}$
$I_{OS}$	Output Short Circuit Current (Per Amplifier) (Note 4)			$\pm 10$	$\pm 30$	$\pm 45$	$\pm 10$	$\pm 30$	$\pm 45$	mA
$A_{VS}$	Large Signal Voltage Gain		$V_O = \pm 10\text{V}$ , $R_L \geq 2.0\text{ k}\Omega$	20	200		20	200		V/mV
$V_{OP}$	Output Voltage Swing		$R_L = 10\text{ k}\Omega$	$\pm 12$	12.5		$\pm 12$	+13.5		V
			$R_L = 2.0\text{ k}\Omega$	$\pm 10$	12		$\pm 10$	$\pm 13$		
TR	Transient Response	Rise Time/ Fall Time	$V_O = 50\text{ mV}$ , $A_V = 1.0$ , $R_L = 10\text{ k}\Omega$		0.3			0.3		$\mu\text{s}$
		Overshoot	$V_O = 50\text{ mV}$ , $A_V = 1.0$ , $R_L = 10\text{ k}\Omega$		5.0			5.0		%
BW	Bandwidth		$V_O = 50\text{ mV}$ , $A_V = 1.0$ , $R_L = 10\text{ k}\Omega$		1.0			1.0		MHz
SR	Slew Rate		$V_I = -10\text{V to } +10\text{V}$ , $A_V = 1.0$		0.6			0.6		V/ $\mu\text{s}$

**LM3303 and LM3403** (Continued)Electrical Characteristics  $T_A = 25^\circ\text{C}$ ,  $V_{CC} = \pm 15\text{V}$ , unless otherwise specifiedThe following specifications apply for  $-40^\circ\text{C} \leq T_A \leq +85^\circ\text{C}$  for the LM3303, and  $0^\circ\text{C} \leq T_A \leq +70^\circ\text{C}$  for the LM3403

Symbol	Parameter	Conditions	LM3303			LM3403			Units
			Min	Typ	Max	Min	Typ	Max	
$V_{IO}$	Input Offset Voltage				10			10	mV
$\Delta V_{IO}/\Delta T$	Input Offset Voltage Temperature Sensitivity			10			10		$\mu\text{V}/^\circ\text{C}$
$I_{IO}$	Input Offset Current				250			200	nA
$\Delta I_{IO}/\Delta T$	Input Offset Current Temperature Sensitivity			50			50		$\text{pA}/^\circ\text{C}$
$I_{IB}$	Input Bias Current				1000			800	nA
$A_{VS}$	Large Signal Voltage Gain	$V_O = \pm 10\text{V}$ , $R_L \geq 2.0\text{ k}\Omega$	15			15			V/mV
$V_{OP}$	Output Voltage Swing	$R_L = 2.0\text{ k}\Omega$	$\pm 10$			$\pm 10$			V

**LM3303 and LM3403**Electrical Characteristics  $T_A = 25^\circ\text{C}$ ,  $V_+ = 5.0\text{V}$ ,  $V_- = \text{GND}$ , unless otherwise specified

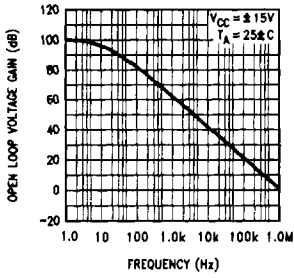
Symbol	Parameter	Conditions	LM3303			LM3403			Units
			Min	Typ	Max	Min	Typ	Max	
$V_{IO}$	Input Offset Voltage				8.0		2.0	8.0	mV
$I_{IO}$	Input Offset Current				75		30	50	nA
$I_{IB}$	Input Bias Current				500		200	500	nA
$I_{CC}$	Supply Current			2.5	7.0		2.5	7.0	mA
PSRR	Power Supply Rejection Ratio				150			150	$\mu\text{V}/\text{V}$
$A_{VS}$	Large Signal Voltage Gain	$R_L \geq 2.0\text{ k}\Omega$	20	200		20	200		V/mV
$V_{OP}$	Output Voltage Swing (Note 5)	$R_L = 10\text{ k}\Omega$	3.3			3.3			V
		$5.0\text{V} \leq V_+ \leq 30\text{V}$ , $R_L = 10\text{ k}\Omega$	(V+)			(V+)		-2.0	
CS	Channel Separation	$1.0\text{ Hz} \leq f \leq 20\text{ kHz}$ (Input Referenced)		-120			-120		dB

**Note 1:**  $T_{J\text{ Max}} = 150^\circ\text{C}$  for the Molded DIP and SO-14, and  $175^\circ\text{C}$  for the Ceramic DIP.**Note 2:** Ratings apply to ambient temperature at  $25^\circ\text{C}$ . Above this temperature, derate the 14L-Ceramic DIP at  $9.1\text{ mW}/^\circ\text{C}$ , the 14L-Molded DIP at  $8.3\text{ mW}/^\circ\text{C}$ , and the SO-14 at  $7.5\text{ mW}/^\circ\text{C}$ .**Note 3:** For supply voltage less than 30V between  $V_+$  and  $V_-$ , the absolute maximum input voltage is equal to the supply voltage.**Note 4:** Not to exceed maximum package power dissipation.**Note 5:** Output will swing to ground.

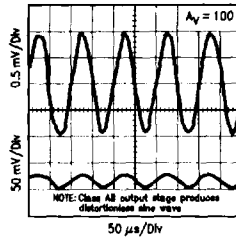
1

# Typical Performance Characteristics

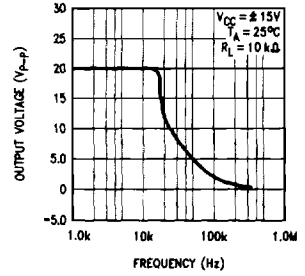
**Open Loop Frequency Response**



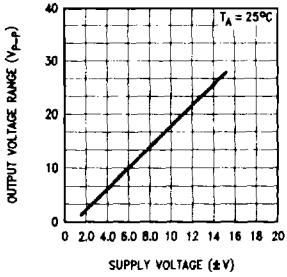
**Sine Wave Response**



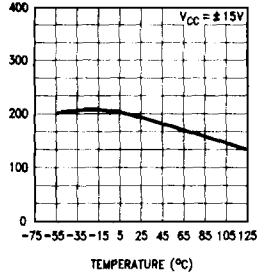
**Output Voltage vs Frequency**



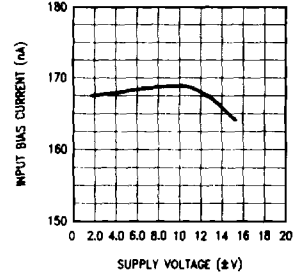
**Output Swing vs Supply Voltage**



**Input Bias Current vs Temperature**



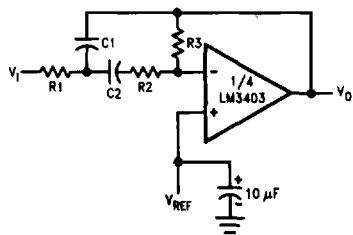
**Input Bias Current vs Supply Voltage**



TL/H/10064-3

# Typical Applications

## Multiple Feedback Bandpass Filter



TL/H/10084-4

$f_o$  = center frequency  
 BW = Bandwidth  
 R in k $\Omega$   
 C in  $\mu$ F

$$Q = \frac{f_o}{BW} < 10$$

$$C1 = C2 = \frac{Q}{\omega}$$

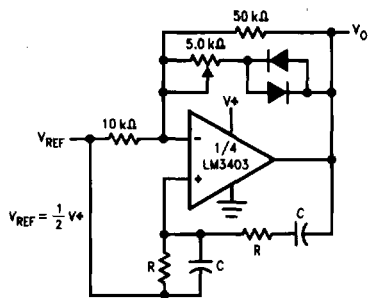
$R1 = R2 = 1$   $R3 = 9Q^2 - 1$  } Using scaling factors in these expressions.

If source impedance is high or varies, filter may be preceded with voltage follower buffer to stabilize filter parameters.

Design example:

given:  $Q = 5$ ,  $f_o = 1$  kHz  
 Let  $R1 = R2 = 10$  k $\Omega$   
 then  $R3 = 9(5)^2 - 10$   
 $R3 = 215$  k $\Omega$   
 $C = \frac{5}{3} = 1.6$  nF

## Wein Bridge Oscillator

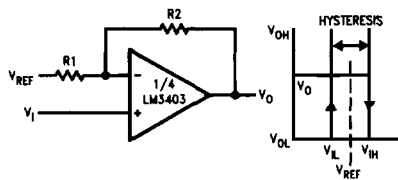


TL/H/10084-5

$$f_o = \frac{1}{2\pi RC} \text{ for } f_o = 1 \text{ kHz}$$

$R = 16$  k $\Omega$   
 $C = 0.01$   $\mu$ F

## Comparator with Hysteresis



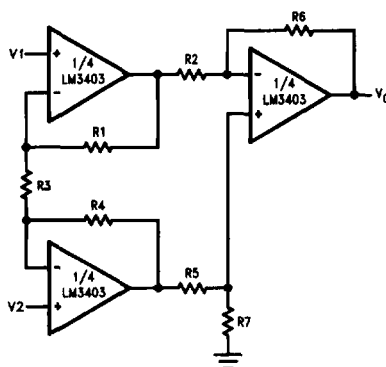
TL/H/10084-6

$$V_{IL} = \frac{R1}{R1 + R2} (V_{OL} - V_{REF}) + V_{REF}$$

$$V_{IH} = \frac{R1}{R1 + R2} (V_{OH} - V_{REF}) + V_{REF}$$

$$H = \frac{R1}{R1 + R2} (V_{OH} - V_{OL})$$

## High Impedance Differential Amplifier



TL/H/10084-7

$$V_{OUT} = C(1 + a + b)(V2 - V1)$$

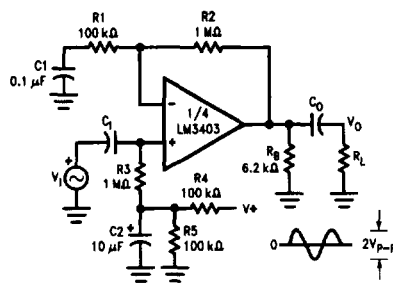
$$\frac{R2}{R5} = \frac{R6}{R7} \text{ for best CMRR}$$

$$R1 = R4$$

$$R2 = R5$$

$$\text{Gain} = \frac{R6}{R5} \left( 1 + \frac{2R1}{R3} \right) = C(1 + a + b)$$

## AC Coupled Non-Inverting Amplifier



TL/H/10084-9

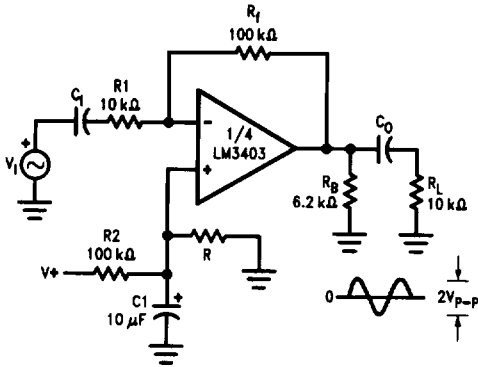
$$A_v = 1 + \frac{R2}{R1}$$

$A_v = 11$  (as shown)



# Typical Applications (Continued)

## AC Coupled Inverting Amplifier

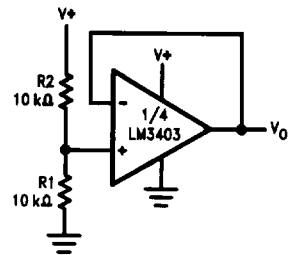


TL/H/10064-8

$$A_v = \frac{R_f}{R_1}$$

$A_v = 10$  (as shown)

## Voltage Reference

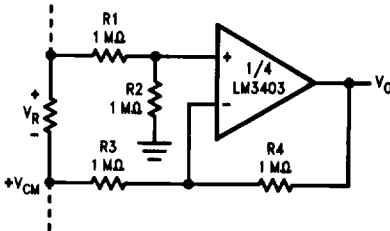


TL/H/10064-10

$$V_O = \frac{R_1}{R_1 + R_2} ( = \frac{V_+}{2} \text{ as shown} )$$

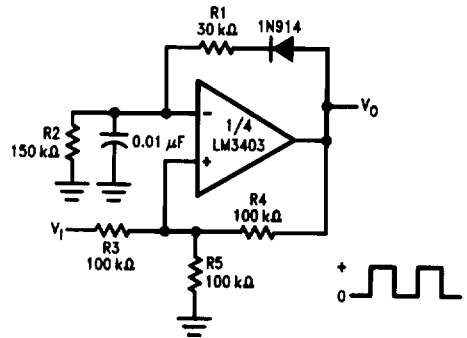
$$V_O = \frac{1}{2} V_+$$

## Ground Referencing a Differential Input Signal



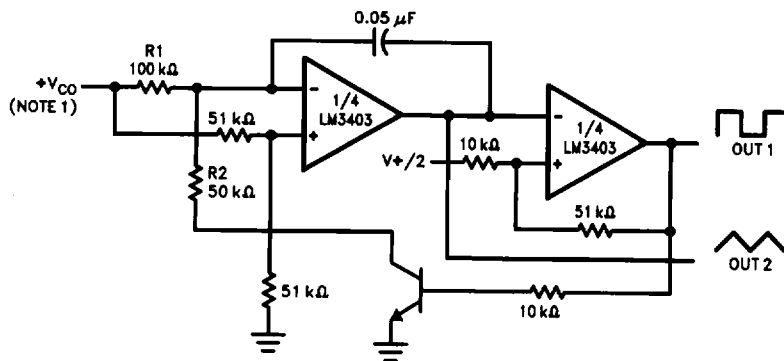
TL/H/10064-11

## Pulse Generator



TL/H/10064-14

## Voltage Controlled Oscillator



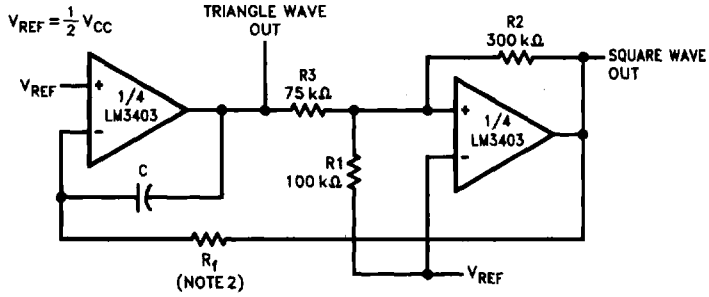
TL/H/10064-12

**Note 1:** Wide Control Voltage Range:

$$0V \leq V_{CO} \leq 2(V \pm 1.5V)$$

Typical Applications (Continued)

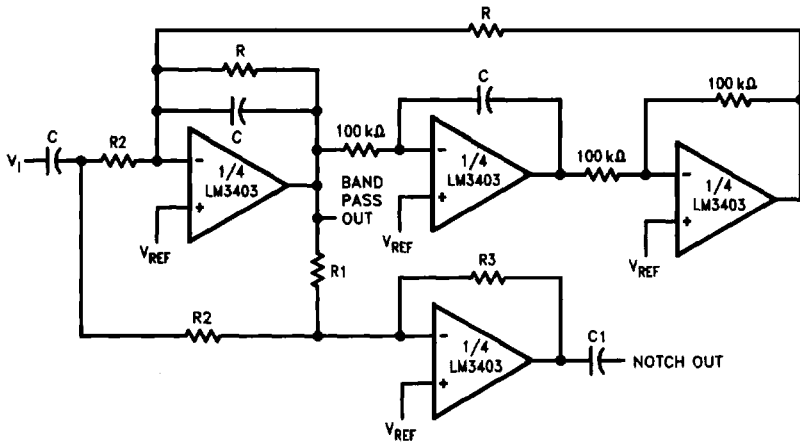
Function Generator



Note 2:  $f = \frac{R1 + R2}{4CRfR1}$  if  $R3 = \frac{R2R1}{R2 + R1}$

TL/H/10064-13

Bi-Quad Filter



$Q = \frac{BW}{f_0}$   
 where:  
 TBP = Center Frequency Gain  
 TN = Bandpass Notch Gain  
 $f_0 = \frac{1}{2\pi RC} \cdot V_{REF} = \frac{1}{2} V_{OC}$   
 $R1 = QR$   
 $R2 = \frac{R1}{TBP}$   
 $R3 = TN R2$   
 $C1 = 10 C$

Example:  
 $f_0 = 1000 \text{ Hz}$   
 $BW = 100 \text{ Hz}$   
 $TBP = 1$   
 $TN = 1$   
 $R = 160 \text{ k}\Omega$   
 $R1 = 1.6 \text{ M}\Omega$   
 $R2 = 1.6 \text{ M}\Omega$   
 $R3 = 1.6 \text{ M}\Omega$   
 $C = 0.001 \mu\text{F}$

TL/H/10064-15