



DS55110A/DS75110A Dual Line Drivers

General Description

The DS55110A, DS75110A are dual line drivers with independent channels, common supply and ground terminals featuring constant current outputs. These drivers are designed for optimum performance when used with the DS55107/DS75107, DS55108/DS75108 line receivers.

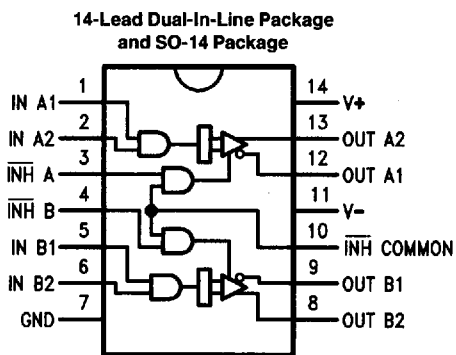
The output current of the DS55110A, DS75110A is nominally 12 mA and may be switched to either of two output terminals with the appropriate logic levels at the driver input.

Separate or common control inputs are provided for increased logic versatility. These control or inhibit inputs allow the output current to be switched off (inhibited) by applying low logic levels to the control inputs. The output current in the inhibit mode, I_{OFF} , is specified so that minimum line loading is induced. This is highly desirable in system applications using party line data communications.

Features

- Improved stability over supply voltage and temperature ranges
- Constant current, high impedance outputs
- High speed: 15 ns max propagation delay
- Standard supply voltages
- Inhibitor available for driver selection
- High common mode output voltage range (-3.0V to 10V)
- TTL input compatibility
- Extended temperature range

Connection Diagram



Top View

TL/F/9618-1

Order Number DS75110AM or DS75110AN
See NS Package Number M14A or N14A

For Complete Military 883 Specifications,
see RETS Data Sheet.

Order Number DS55110AJ/883
See NS Package Number J14A

Function Table

Inputs				Outputs	
Logic		Inhibitor		A1/B1	A2/B2
1	2	A/B	INH		
X	X	L	X	Off	Off
X	X	X	L	Off	Off
L	X	H	H	Off	On
X	L	H	H	Off	On
H	H	H	H	On	Off

H = High, L = Low, X = Don't Care

DS55110A/DS75110A

Absolute Maximum Ratings (Note 1)

If Military/Aerospace specified devices are required, please contact the National Semiconductor Sales Office/Distributors for availability and specifications.

Storage Temperature Range

Ceramic DIP	-65°C to +175°C
Molded DIP and SO-14	-65°C to +150°C

Lead Temperature

Ceramic DIP (Soldering, 60 sec.)	300°C
Molded DIP and SO-14 (Soldering, 10 sec.)	265°C

Maximum Power Dissipation* at 25°C

Cavity Package	1360 mW
Molded Package	1040 mW
SO Package	930 mW

*Derate cavity package 9.1 mW/°C above 25°C; derate molded DIP package 8.3 mW/°C above 25°C; derate SO package 7.5 mW/°C above 25°C.

Supply Voltage

Supply Voltage	±7.0V
Input Voltage (Any Input)	5.5V
Output Voltage (Any Output)	-5.0V to +12V

Recommended Operating Conditions

	DS55110A			DS75110A			Units
	Min	Typ	Max	Min	Typ	Max	
Positive Supply Voltage (V ⁺)	4.5	5.0	5.5	4.75	5.0	5.25	V
Negative Supply Voltage (V ⁻)	-4.5	-5.0	-5.5	-4.75	-5.0	-5.25	V
Positive Common Mode Voltage (V _{CM} ⁺)	0		10	0		10	V
Negative Common Mode Voltage (V _{CM} ⁻)	0		-3.0	0		-3.0	V
Operating Temperature (T _A)	-55	25	125	0	25	70	°C

Electrical Characteristics

Over recommended operating temperature range, unless otherwise specified. (Notes 2 and 3)

Symbol	Parameter		Conditions	Min	Typ	Max	Units
V _{IH}	Input Voltage HIGH			2.0			V
V _{IL}	Input Voltage LOW					0.8	V
V _{IC}	Input Clamp Voltage		V _{CC} = Min, I _I = -12 mA		-0.9	-1.5	V
I _{O(On)}	On-State Output Current		V _{CC} = Max, V _O = 10V		12	15	mA
			V _{CC} = Min, V _O = -3.0V	6.5	12		
I _{O(Off)}	Off-State Output Current (Inhibited Only)		V _{CC} = Min, V _O = 10V			100	μA
I _I	Input Current At Maximum Input Voltage	A, B or C Inputs	V _{CC} = Max, V _I = 5.5V			1.0	mA
		D Input				2.0	
I _{IH}	Input Current HIGH	A, B or C Input	V _{CC} = Max, V _I = 2.4V			40	μA
		D Input				80	
I _{IL}	Input Current LOW	A, B or C Input	V _{CC} = Max, V _I = 0.4V			-3.0	mA
		D Input				-6.0	
I ⁺ (On)	Positive Supply Current with Driver Enabled		V _{CC} = Max, A & B Inputs at 0.4V, C & D Inputs at 2.0V		23	35	mA
I ⁻ (On)	Negative Supply Current with Driver Enabled				-34	-50	mA
I ⁺ (Off)	Positive Supply Current with Driver Inhibited		V _{CC} = Max, A, B, C & D Inputs at 0.4V		21		mA
I ⁻ (Off)	Negative Supply Current with Driver Inhibited				-17		mA

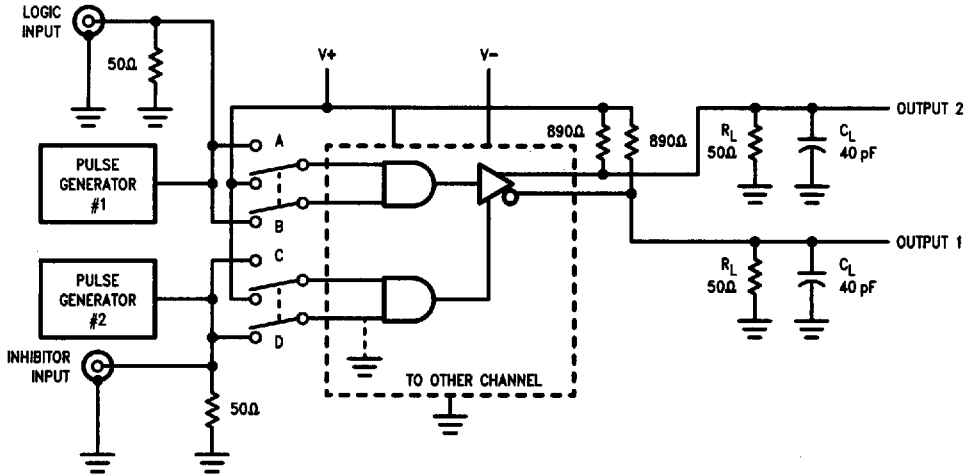
Note 1: "Absolute Maximum Ratings" are those values beyond which the safety of the device cannot be guaranteed. They are not meant to imply that the devices should be operated at these limits. The tables of "Electrical Characteristics" provide conditions for actual device operation.

Note 2: Unless otherwise specified min/max limits apply across the -55°C to +125°C temperature range for the DS55110 and across the 0°C to +70°C range for the DS75110. All typicals are given for V_{CC} = 5V and T_A = 25°C.

Note 3: When using only one channel of the line drivers, the other channel should be inhibited and/or its outputs grounded.

Switching Characteristics $V_{CC} = \pm 5V, T_A = 25^\circ C$

Symbol	Parameter	Conditions	From (Input)	To (Output)	Min	Typ	Max	Units
t_{PLH}	Propagation Delay Time, LOW to HIGH	$C_L = 40\text{ pF}$ $R_L = 50\ \Omega$ See Test Circuit	A or B	1 or 2		9.0	15	ns
t_{PHL}	Propagation Delay Time, HIGH to LOW					9.0	15	ns
t_{PLH}	Propagation Delay Time, LOW to HIGH		C or D	1 or 2		16	25	ns
t_{PHL}	Propagation Delay Time, HIGH to LOW					13	25	ns



TL/F/9619-3

Note 1: The pulse generators have the following characteristics:

$$t_r = t_f = 10\text{ ns} \pm 5.0\text{ ns}, t_{w1} = 500\text{ ns}, \text{PRR} = 1.0\text{ MHz}, t_{w2} = 1.0\ \mu\text{s}, \text{PRR} = 500\text{ kHz}, Z_0 = 50\ \Omega.$$

Note 2: C_L includes probe and jig capacitance.

Note 3: For simplicity, only one channel and the inhibitor connections are shown.

FIGURE 2. AC Test Circuit

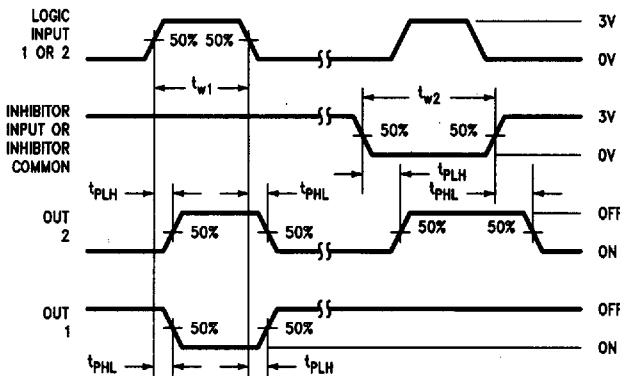


FIGURE 3. AC Waveforms

TL/F/9619-4

DS55110A/DS75110A

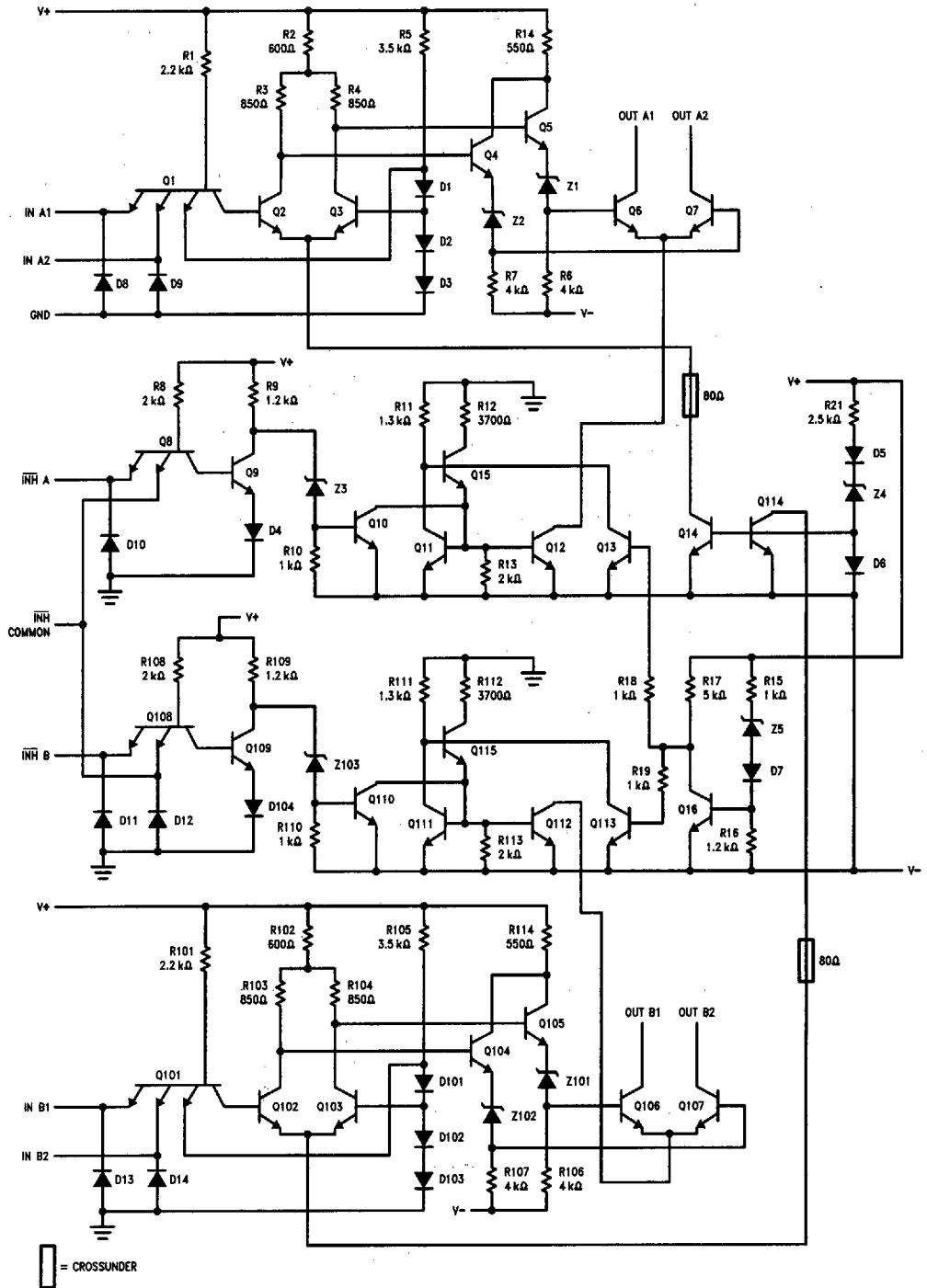
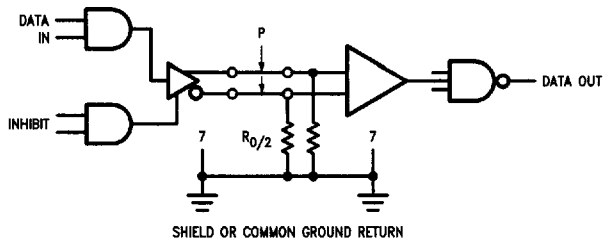


FIGURE 1. Equivalent Circuit

TL/F/9619-2

Typical Applications



SHIELD OR COMMON GROUND RETURN

FIGURE 4. Simplex Operation

TL/F/9619-5

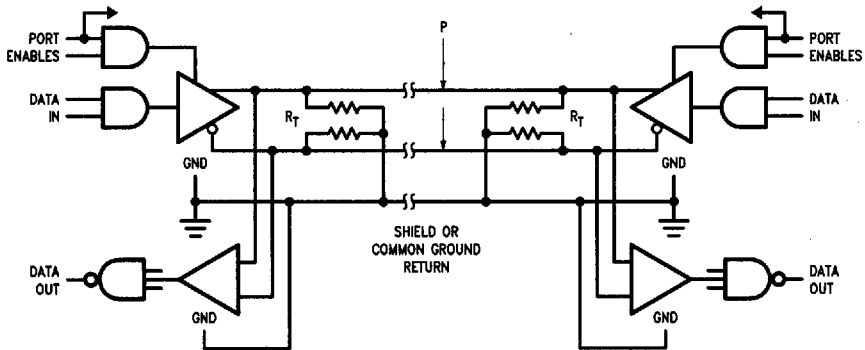
SHIELD OR
COMMON GROUND
RETURN

FIGURE 5. Half-Duplex Operation

TL/F/9619-6

Note 1: All drivers are DS75110A or DS55110A. Receivers are DS75107 or DS75108. Twisted-pair or coaxial transmission line should be used for minimum noise and cross talk.

Note 2: When only one driver in a package is being used, the outputs of the other driver should either be grounded or inhibited to reduce power dissipation.