



常州市凯丽金电子有限公司---微型贴片电声元器件专业生产商

KELIKING ELECTRONIC-----Micro SMD Buzzer & Piezo transducer manufacturer

SPECIFICATION FOR APPROVAL

承認書

Description : Speaker
 Part No : KLJ-01318025-R08W1
 Customer's Model No :
 Specification No : KLJ-01318025-R08W1
NUMBER OF THE EDIDION : 2.1

CUSTOMER'S APPROVED SIGNATURE

CUSTOMER'S APPROVED SIGNATURE		



常州市凯丽金电子有限公司

CHANGZHOU KELIKING ELECTRONICS CO., LTD

公司地址: 常州市天宁区恒生科技园 1-1301, Company ADD: Hengsheng1-1301 Science Park, Tianning District, Changzhou City 工厂地址: 常州市天宁区三河口东塘路 1-1 号, Factory: Dongtang Road NO.1-1 Three estuarine Tianning District Changzhou City 电话: 86-519-88671999-801, Tel: 86-519-88671999-801 传真: 86-519-88671999-808, Fax: 86-519-88671999-808 网址: www.kailijin.cn(CN) www.keliking.com(EN) Http:www.kailijin.cn(CN) www.keliking.com(EN) 邮箱: jimmy@keliking.com E-mail:jimmy@keliking.com 手机: 13656128000 MOB:13656128000

Approved by	Checked by	Lssued by

地址: 常州市天宁区恒生科技园 1-1301 电话: 0519-88671999 网址: www.kailijin.cn(CN) www.keliking.com (EN)
 Office : No.1-1301, Hengsheng Technology Park, Beitanghe Road, Tianning District, Changzhou City, China



常州市凯丽金电子有限公司---微型贴片电声元器件专业生产商

KELIKING ELECTRONIC-----Micro SMD Buzzer & Piezo transducer manufacturer

PRODUCT IMAGE

SPECIFICATIONS

Parameter	Conditions/Description	Values	Units
Rated Input Power	in 1cc closed box	1.0	W
Max Input Power	in 1cc closed box	1.5	W
Rated Impedance		8±15%	Ω
Sound Pressure Level	1.0W/0.1M at 1.0K Hz, in 1cc closed box	93±3	dB
Resonant Frequency (Fo)	in free air in 1.0cc closed box	600±20% 900±20%	Hz
Frequency Range		Fo~10K	Hz
Distortion	at 1K Hz, input 1.0W, in 1cc box	< 10%	-
Magnet	NdFeB		
Buzz, Rattle, etc.	must be normal at sine wave between 300 ~ 5kHz, in 1CC BOX	2.83	V
Polarity	cone will move forward with positive dc current to "+" terminal		
Weight		1.5	g
Operating Temperature		-30~+70	°C
Storage Temperature		-40~+85	°C
Environmental Protection Regulation		HF	

Notes: Above Measuring condition under temperature :15~35°C R.H. 25~75%. Accordig to standard GB/T9396-1996

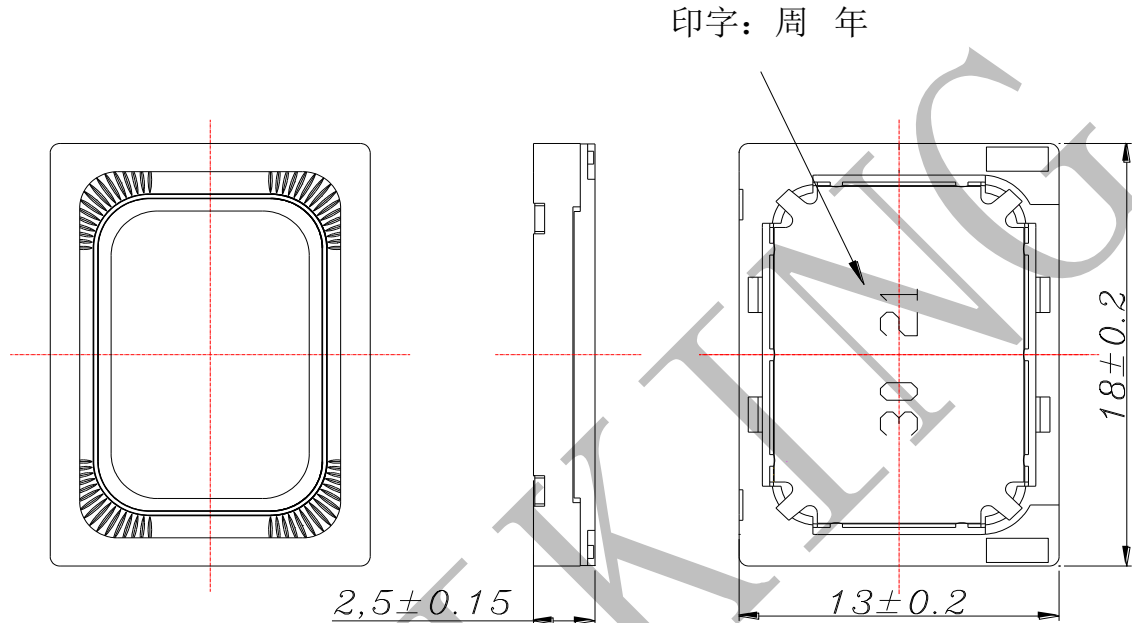
地址：常州市天宁区恒生科技园 1-1301 电话：0519-88671999 网址：www.kailijin.cn(CN) www.keliking.com (EN)

Office : No.1-1301, Hengsheng Technology Park, Beitanghe Road, Tianning District, Changzhou City, China

MECHANICAL DRAWING

Units: mm

Tolerance: ± 0.15 mm



CONSTRUCTION DETAIL

8	弹片 SPRING TERMINAL	SUS	2	
7	前盖 FRONT CAP	PPA	1	
6	音圈 VOICE COIL	COPPER WIRE	1	
5	膜片 DIAPHRAGM	PEEK	1	
4	U铁 U YOKE	SPCE	1	
3	极片 POLE PIECE	SPCC	1	
2	磁钢 MAGNET	N42	3	
1	主架 FRAME	PPA	1	
编号 No.	零件名称 PART NAME	材料 MATERIAL	数量 Q'TY	备注 REMARK



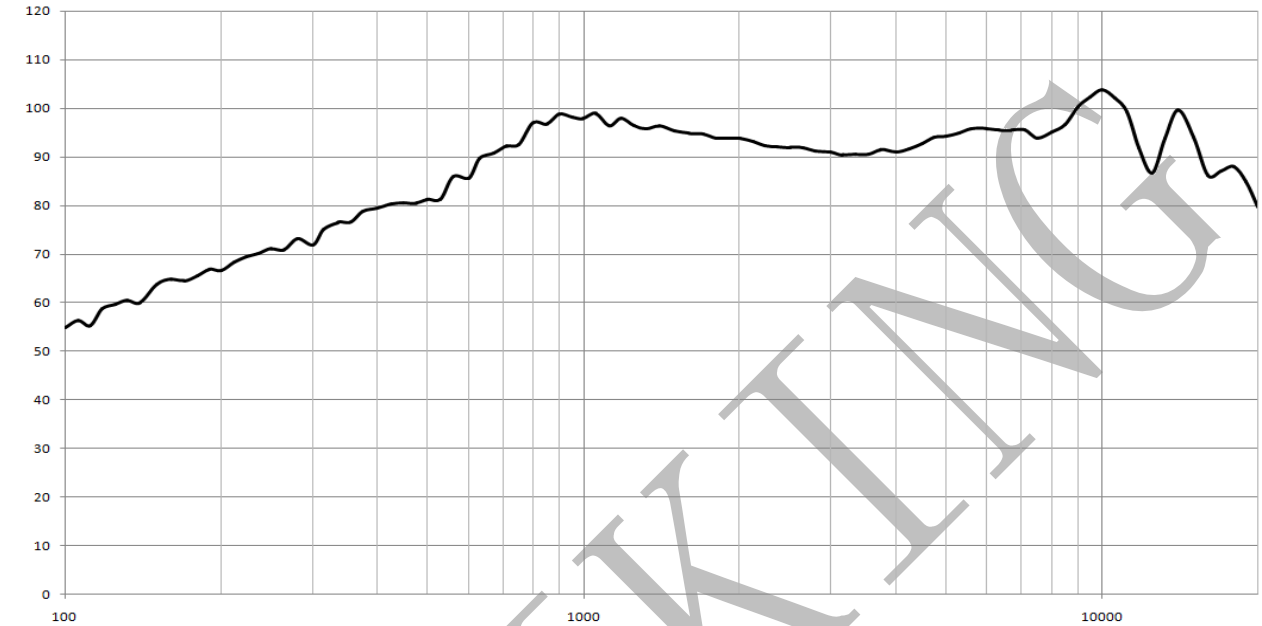
常州市凯丽金电子有限公司---微型贴片电声元器件专业生产商

KELIKING ELECTRONIC-----Micro SMD Buzzer & Piezo transducer manufacturer

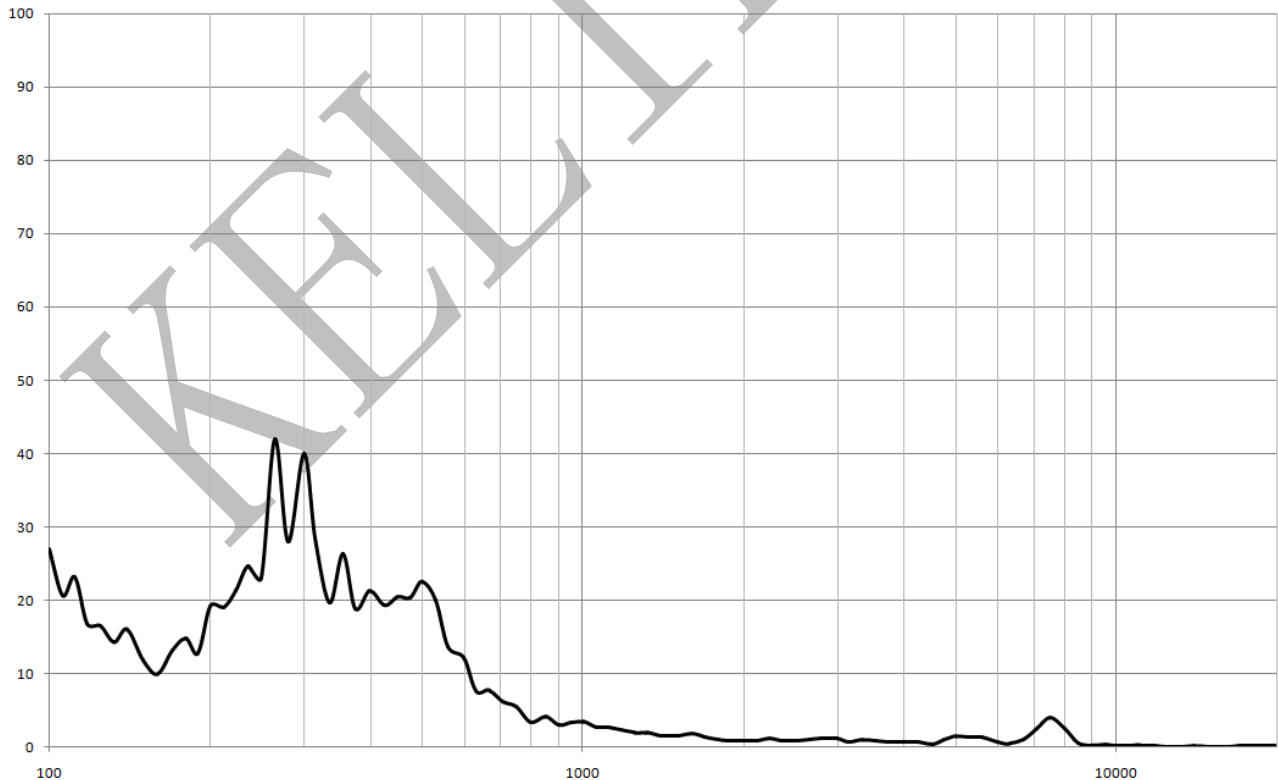
RESPONSE CURVES

Frequency Response Curve

Test condition: 1.0W/0.1M, in 1cc box



THD



地址：常州市天宁区恒生科技园 1-1301 电话：0519-88671999 网址：www.kailijin.cn(CN) www.keliking.com (EN)

Office : No.1-1301, Hengsheng Technology Park, Beitanghe Road, Tianning District, Changzhou City, China



RELIABILITY TEST

1	Reliability Test Performance	After any following test, parts should conform to original performance within ± 3 dB tested with Rated Power, after 6 hours of recovery period.
2	High Temperature Test	96 hours at $+85^{\circ}\text{C} \pm 3^{\circ}\text{C}$
3	Low Temperature Test	96 hours at $-40^{\circ}\text{C} \pm 3^{\circ}\text{C}$
4	Humidity Test	$+40^{\circ}\text{C} \pm 2^{\circ}\text{C}$ Relative Humidity(RH)90~95% 96 Hours
5	Temp./Humidity Cycle	<p>The part shall be subjected 5 cycles. One cycle shall be 6 hours and consist of</p> <p>The diagram illustrates a 6-hour temperature cycle. It starts with a 2-hour dwell at $+85^{\circ}\text{C}$, followed by a 0.5-hour ramp down to $+25^{\circ}\text{C}$. There is a 1-hour dwell at $+25^{\circ}\text{C}$, followed by a 0.5-hour ramp down to -40°C, and finally a 2-hour dwell at -40°C. The total duration of one cycle is 6 hours.</p>
6	Vibration Test	Frequency: 10~55~10Hz Oct/min Amplitude: 1.5mm Duration: 2 hours each of 3 perpendicular directions
7	Drop Test	Drop the speaker contained in normal box onto the surface of 40mm thick board 10 times from the height of 150cm
8	Operation Life Test	Must perform normal with program Pink-Noise source at Rated Power for 96 Hours
9	Termination Strength	Apply 3.0N(0.306kg) to each terminal in horizontal direction for 30 seconds; Apply 2.0N(0.204kg) to each terminal in vertical direction for 30 seconds;

MEASURING METHOD

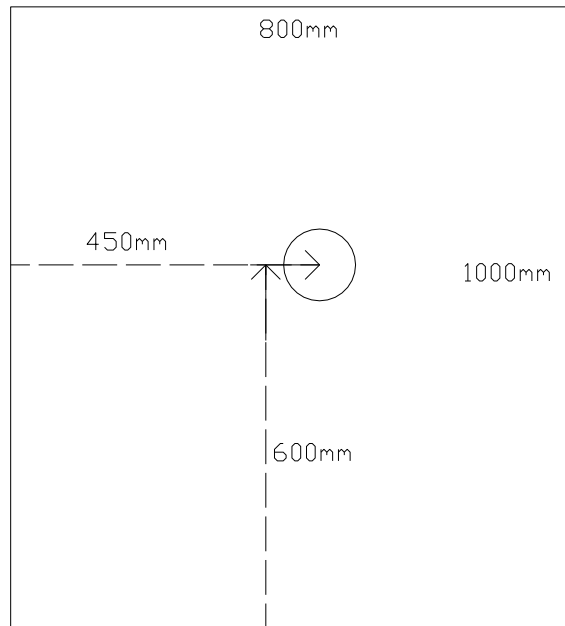


Fig. 1 Block Diagram for Measurement Method

Standard test condition of speaker

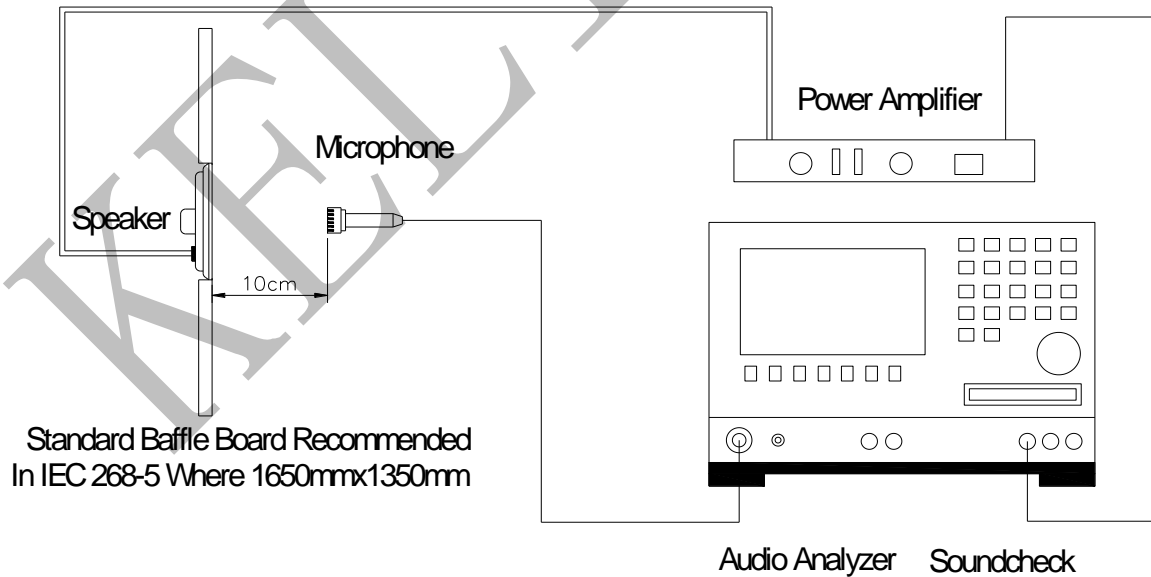


Fig. 2 Speaker Test Condition



常州市凯丽金电子有限公司---微型贴片电声元器件专业生产商

KELIKING ELECTRONIC-----Micro SMD Buzzer & Piezo transducer manufacturer

PACKAGING

units: mm

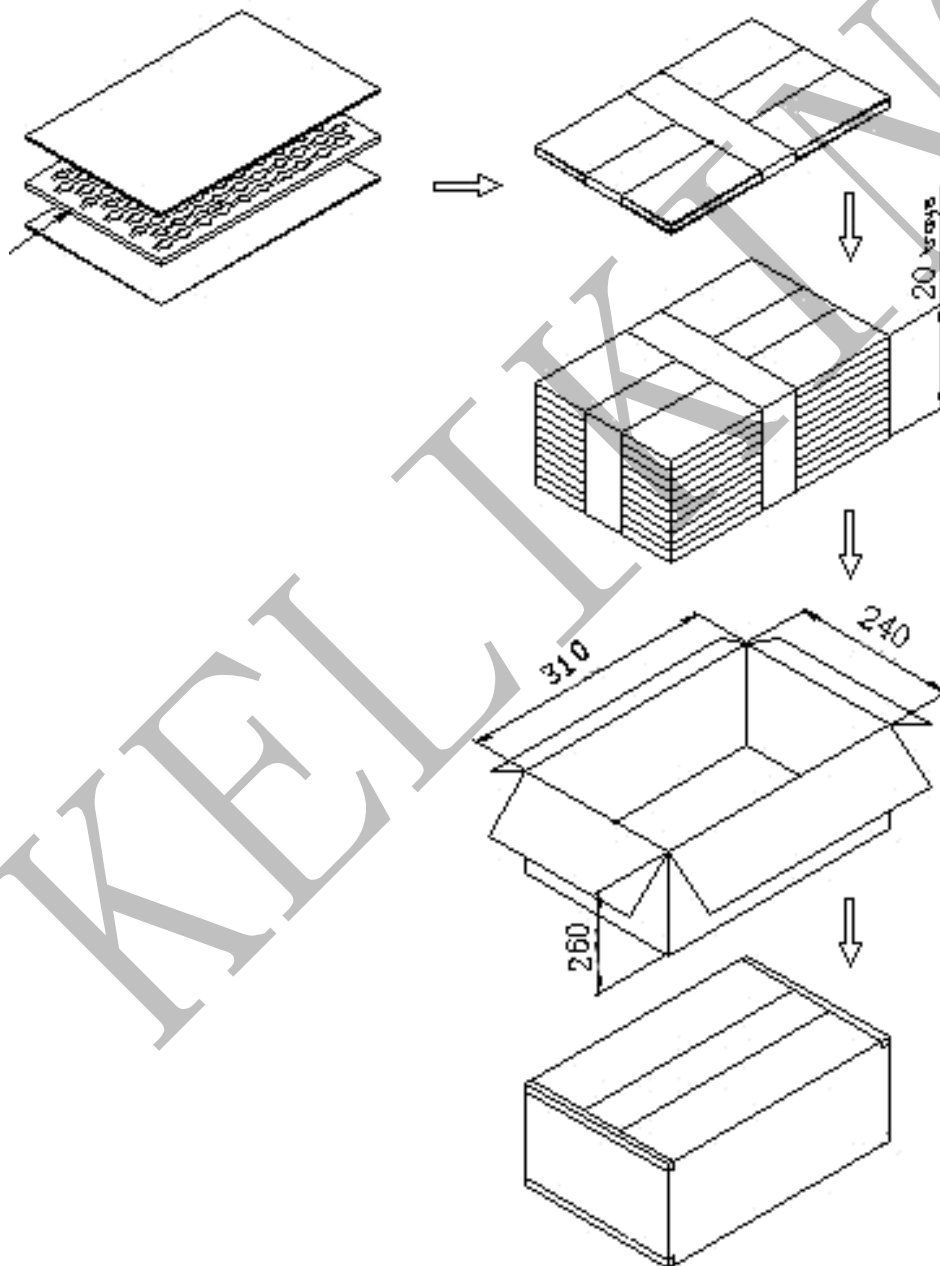
100pcs of speaker in each tray

20 trays in one carton

Total:2000 pcs / 1 carton

Gross Weight: 4.5 KGS

Net Weight: 3.0 KGS



地址：常州市天宁区恒生科技园 1-1301 电话：0519-88671999 网址：www.kailijin.cn(CN) www.keliking.com (EN)

Office : No.1-1301, Hengsheng Technology Park, Beitanghe Road, Tianning District, Changzhou City, China



常州市凯丽金电子有限公司---微型贴片电声元器件专业生产商

KELIKING ELECTRONIC-----Micro SMD Buzzer & Piezo transducer manufacturer

KELIKING

地址：常州市天宁区恒生科技园 1-1301 电话：0519-88671999 网址：www.kailijin.cn(CN) www.keliking.com (EN)

Office : No.1-1301, Hengsheng Technology Park, Beitanghe Road, Tianning District, Changzhou City, China