



常州市凯丽金电子有限公司---微型贴片电声元器件专业生产商
 KELIKING ELECTRONIC-----Micro SMD Buzzer & piezo ceramic manufacturer

SPECIFICATION FOR APPROVAL

承 認 書

Description : Speaker
 Part No : KLJ-1609030-R08W0.5T2
 Customer's Model No :
 Specification No : KLJ-1609030-R08W0.5T2
 Number Of The Edidion : 3.1

| | | |
|-------------------------------|--|--|
| CUSTOMER'S APPROVED SIGNATURE | | |
| | | |



常州市凯丽金电子有限公司

KELIKING ELECTRONICS CO., LTD,
 KELLY KING INTERNATIONAL PTE LTD

公司地址: 常州市天宁区恒生科技园 1-1301, Company ADD: Hengsheng1-1301
 Science Park,Tianning District,Changzhou City 工厂地址:常州市天宁区三河口东塘路 1-1
 号,Factory:Dongtang Road NO.1-1 sanhekou Tianning District Changzhou City
 电话: 86-519-88671999-801, Tel: +86-519-88671999-801 传真: +86-519-
 88671999-808, Fax: 86-519-88671999-808 网址: www.kailijin.cn (CN)
www.keliking.com(EN) Http:www.kailijin.cn(CN) www.keliking.com(EN) 邮箱:
jimmy@keliking.com E-mail:jimmy@keliking.com 手机: +86-13656128000 MOB:+86-
 13656128000

| | | |
|-------------|------------|-----------|
| Approved by | Checked by | Lssued by |
| | | |



常州市凯丽金电子有限公司---微型贴片电声元器件专业生产商

KELIKING ELECTRONIC-----Micro SMD Buzzer & piezo ceramic manufacturer

A. SCOPE 範疇

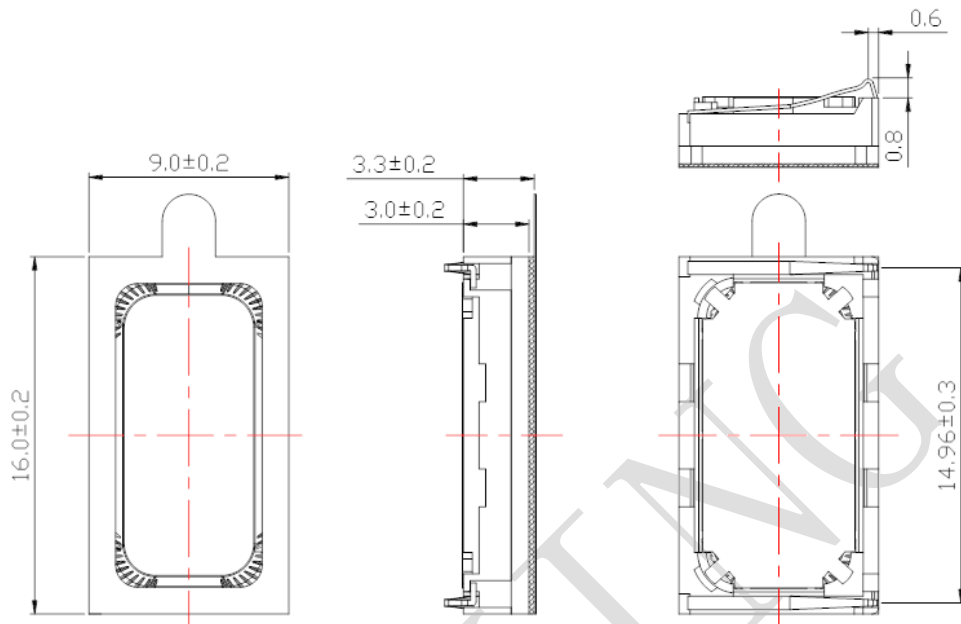
This specification applies SMD Speaker KLJ-1609030-R08W0.5T2

B. SPECIFICATION 规格

| Parameter | Conditions/Description | Values | Unit |
|----------------------------|---|---------|------|
| Rated Input Power | in 1cc closed box | 0.5 | W |
| Max Input Power | in 1cc closed box | 1.0 | W |
| Rated Impedance | at 1.5K Hz, 1V input | 8±15% | Ω |
| Sound Pressure Level (SPL) | 1.0W/0.1M at 2.0K Hz, in 1cc closed box | 92±3 | dB |
| | 0.5W/0.1M at 2.0K Hz, in 1cc closed box | 89±3 | dB |
| Resonant Frequency (Fo) | in free air | 550±20% | Hz |
| | in 1.0cc closed box | 850±20% | Hz |
| Frequency Range | | Fo~20K | Hz |
| Distortion | at 1K Hz, input 0.1W, in 1cc box | ≤5% | - |
| | at 1K Hz, input 1.0W Free air | ≤10% | |
| Magnet | NdFeB | | |
| Buzz, Rattle, etc. | must be normal at sine wave between Fo ~ 20 kHz, in free air | 1.0 | V |
| | must be normal at sine wave between Fo ~ 20 kHz, in 1CC BOX | 2.83 | V |
| Polarity | cone will move forward with positive dc current to "+" terminal | | |
| Weight | | 1.5 | g |
| Operating | | -20~+70 | °C |
| Waterproof | | NA | |

Notes: Above Measuring condition under temperature :15~35°C R.H. 25~75%. Accordig to standard GB/T9396-1996

C. APPEARANCE DRAWING 外觀尺寸图



Tolerance general unless otherwise specified: $\pm 0.5\text{mm}$ unit: mm

CONSTRUCTION DETAIL

| PART NO. | PART NAME | Q' TY | MATERIAL | REMARK |
|----------|------------|-------|-------------|--------|
| 1 | Diaphragm | 1 | Peek | |
| 2 | VOICE COIL | 1 | COPPER WIRE | |
| 3 | Plate | 1 | SPCC | |
| 4 | Magnet | 1 | NdFeB | |
| 5 | Frame | 1 | Plastic | |

D. RESPONSE CURVES

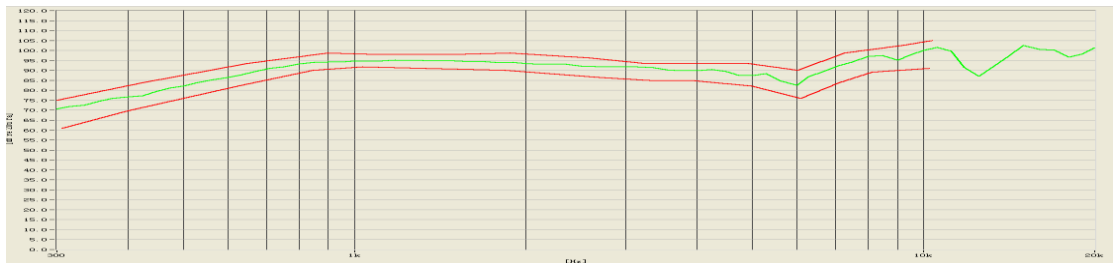
Frequency Response Curve

Test condition: 1.0W/0.1M,(1CC)

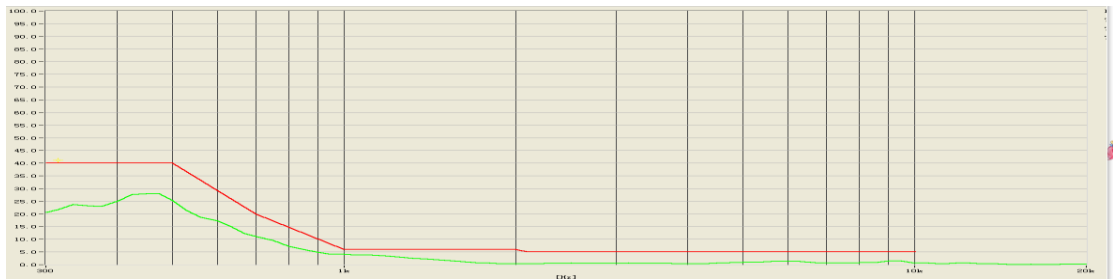


常州市凯丽金电子有限公司---微型贴片电声元器件专业生产商

KELIKING ELECTRONIC-----Micro SMD Buzzer & piezo ceramic manufacturer



Total Harmonic Distortion Curve

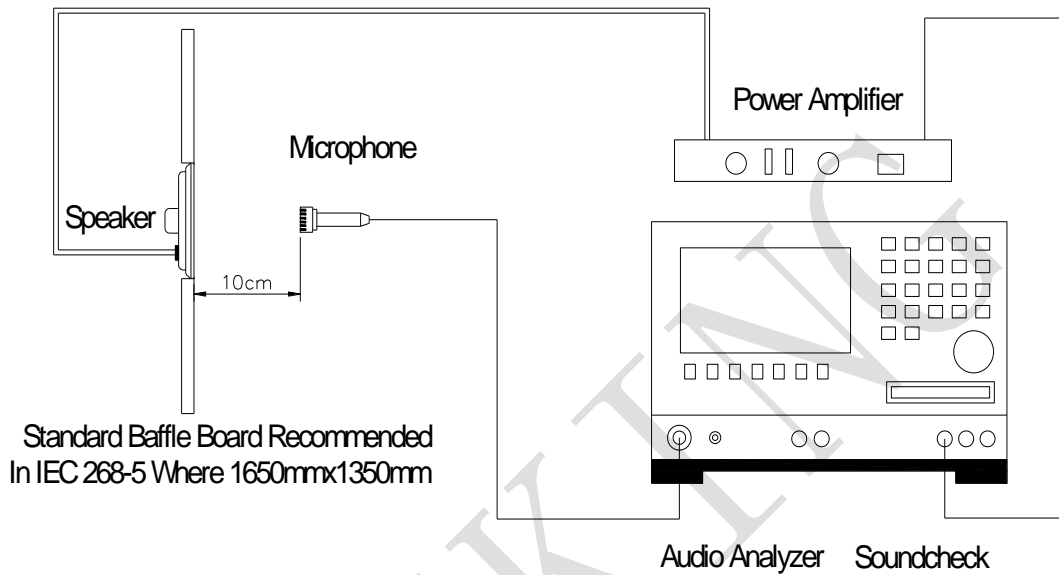


E. RELIABILITY TEST

| | | |
|---|---|--|
| 1 | Reliability Test | After any following test, parts should conform to original performance within ± 3 dB |
| 2 | Long-term rated power test | Input rated power pink noise to the speaker, low temperature $(-20\pm 2^\circ)$ for 24hrs, |
| 3 | Short-term maximum power test | Room temperature 25°C Input 1sec Max power pink noise to the speaker, idle for 59sec, cycling 30times. 102 / 5000 |
| 4 | Voice coil destructive test | (I) Room temperature 25°C Input Max power DC signal for 30sec. 5Pcs for normal connection(Power+ \rightarrow Speaker+, Power- \rightarrow Speaker-) 5Pcs for inverse connection(Power+ \rightarrow Speaker-, Power- \rightarrow Speaker+) (II) Input Max power sweep signal to the speaker. Sweep frequency range: 200Hz to 20KHz Cycle time: 2Sec for one cycle, cycling for 2 hrs |
| 5 | Long-term temperature cycling test | Input rated power pink noise to the speaker Temperature range: $-20^\circ\text{C}\sim 60^\circ\text{C}$ Temperature change rate is $5\sim 10^\circ\text{C}/\text{min}$, 15min at -20°C and 60°C , cycling 50 times. |
| 6 | Long-term high temperature and high humidity test | Input rated power pink noise to the speaker Temperature 60°C , humidity 90%RH for 72hrs. |
| 7 | Salt mist test | Salt mist concentration: 5% NaCl PH: 6.5~7.2 solution, which was continuously sprayed at 35°C for 48 hours |

F.TESTING METHOD

Standard test condition of speaker



G.RecommendDrivingCircuit

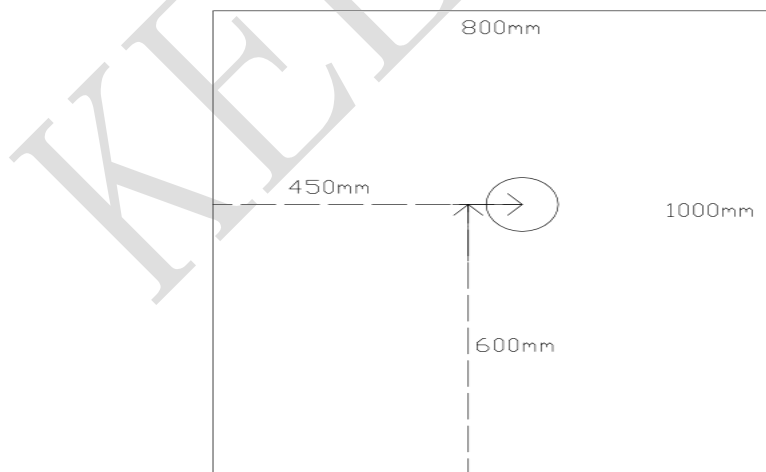


FIG. 1



常州市凯丽金电子有限公司---微型贴片电声元器件专业生产商

KELIKING ELECTRONIC-----Micro SMD Buzzer & piezo ceramic manufacturer

H.PACKINGSTANDARD

units: cm

Remark:

100pcs per tray

20 trays for unit, 1units per carton

Total:2000 pcs per box

Size:41*25*34cm

