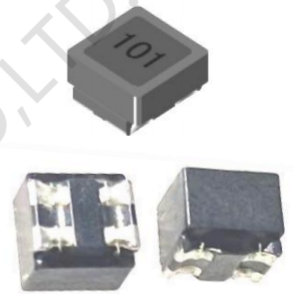


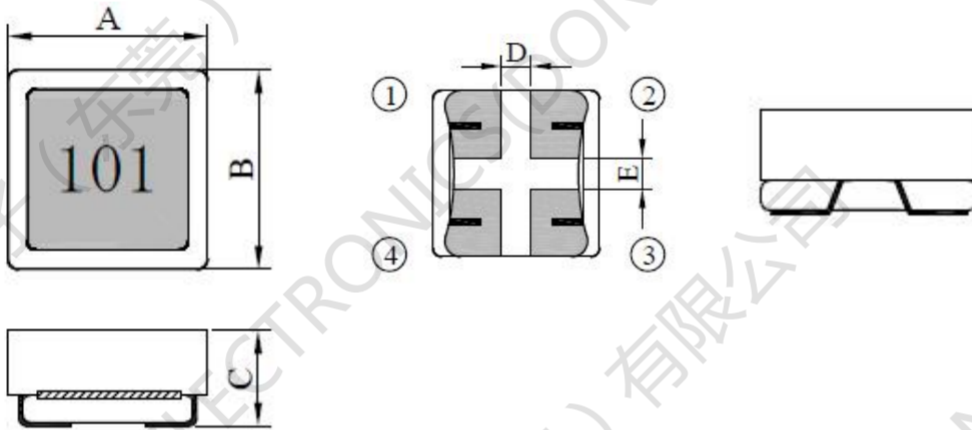
**SMD Common Mode Line Filter**

**FC-SLF0504 –Series**

Small size  
 Insulation Resistance 10MΩ min  
 Frequency Range: 100kHz, 0.1 Vrms  
 Low Primary DCR version  
 Ambient temperature -40°C to +85°C  
 Storage temperature Component: -40°C to +125°C

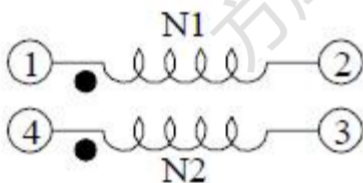


**1. Dimensions:mm**

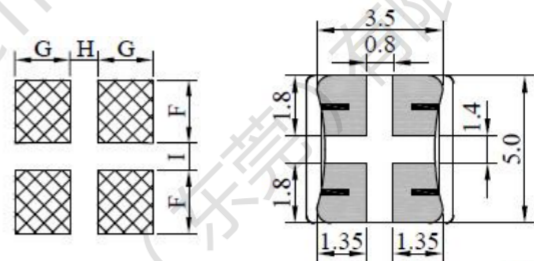


A	B	C	D	E	F	G	H	I
5.00 ±0.3	5.00 ±0.3	4.8 max.	0.80 typ.	1.00 typ.	2.30 typ.	1.60 ref.	0.80 ref.	1.00 ref.

**2.Schematic:**



**3. : LAYOUT RECOMMENDATION**



Unit : mm

**FC-SLF0504 –Series -SMD Common Mode Line Filter**

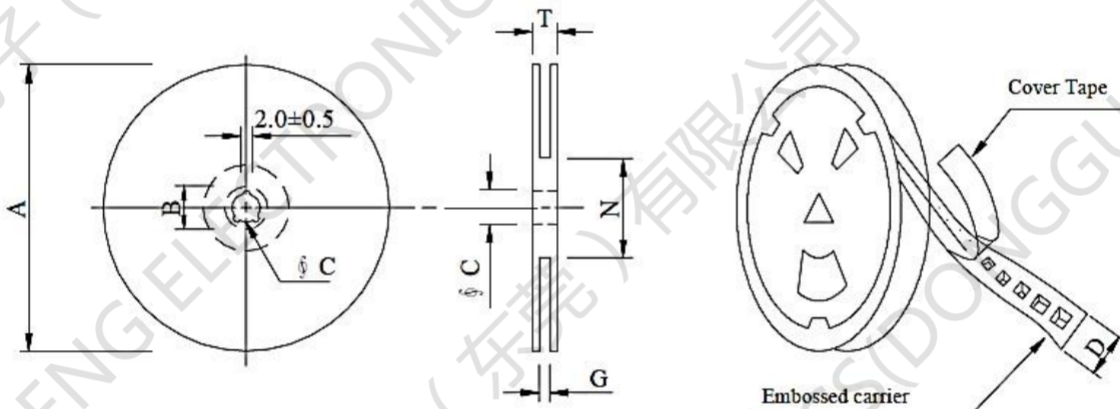
**4. ELECTRIC CHARACTERICS**

Number Part	Common mode impedance (at 100MHz , 20 degree C)	Current Rating <sub>2</sub> (mA)	FREQ. (MHz)	RDC (mΩ)	Z / Max (Ω) typ
FC-SLF0504191	0.19 (typ.)	5000	100MHz	20	164.0
FC-SLF0504351	0.35 (typ.)	2000	100MHz	40	321.0
FC-SLF0504102	1.00 (typ.)	1500	100MHz	60	872.8
FC-SLF0504152	1.50 (typ.)	1000	100MHz	100	1292.0
FC-SLF0504302	3.00 (typ.)	500	100MHz	200	2940.0
FC-SLF0504402	4.00 (typ.)	200	100MHz	300	5620.0

Rated voltage 50 Vdc ; Withstand Voltage 125Vdc  
 Insulation Resistance 10MΩ min. IDC base on Temp. rise 40°C typ.  
 Inductance Test Condition. : 100kHz / 0.1V

**5. PACKAGING INFORMATION :**

(1) Configuration



※ Carrier Tape width : D

(2) Dimensions

Unit:m/m

Style	A	B	C	D	G	N	T
13 - 16	330	21±0.8	13±0.5	16	18 <sup>+0</sup>	50 <sup>-0</sup>	22.4

(3) QTY & G.W. Per package

Series	Inner : Reel			Outer : Carton		
	Q'TY (pcs)	G.W. (gw)	Style	Q'TY (pcs)	G.W. (Kg)	Size (cm)
SLF0504	1,000	350	13 - 16	6,000	3.0	40 x 40 x 24