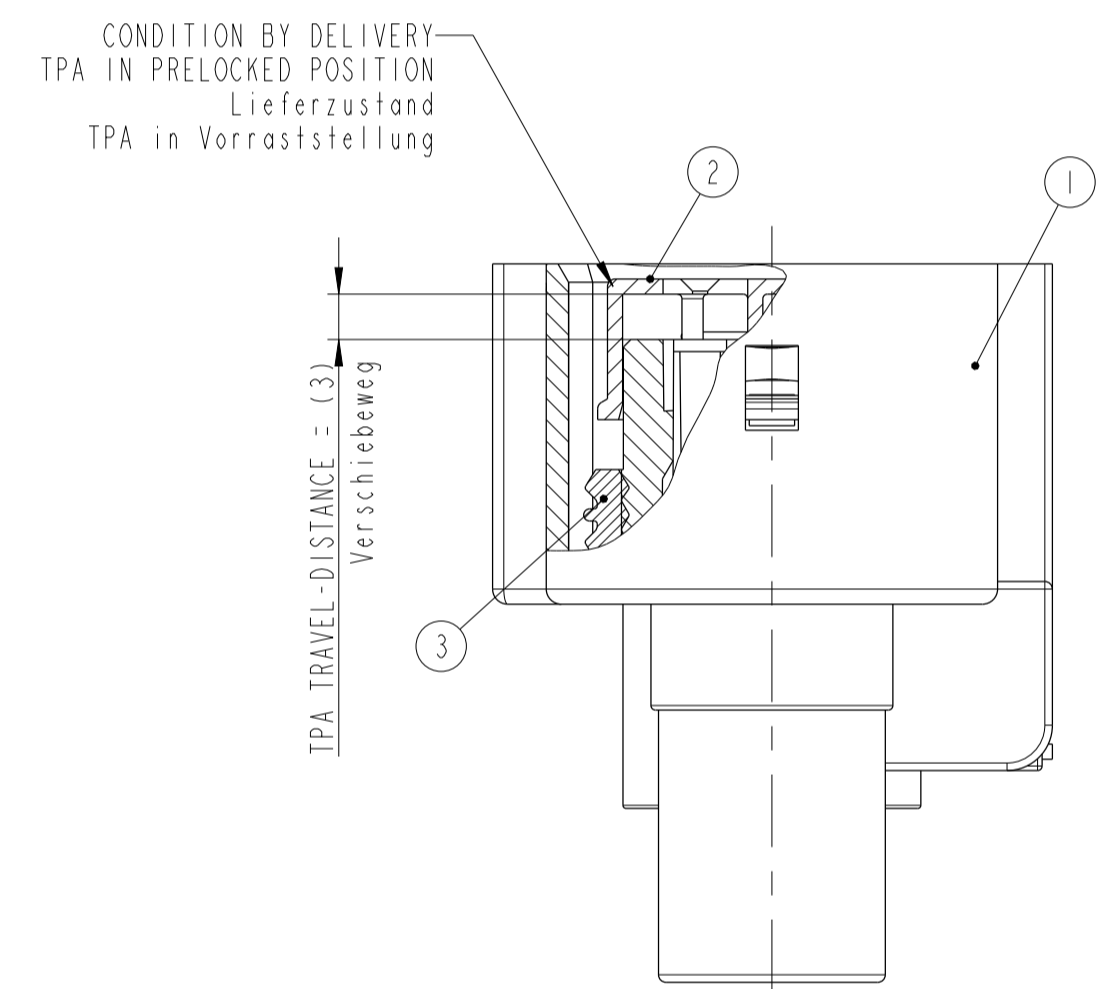
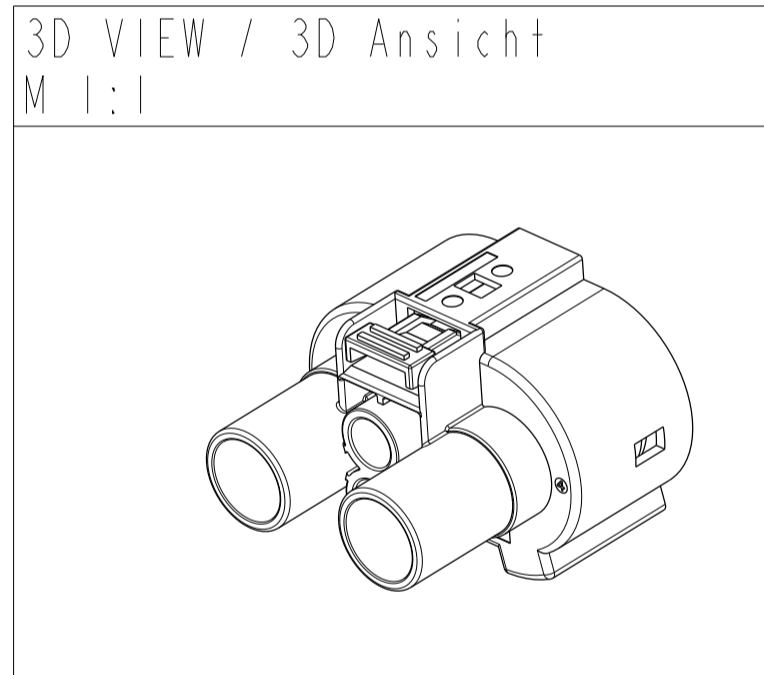


NOTES / Bemerkungen:	
1	MATERIAL IDENTIFICATION CODE ACC. VDA260 Materialkennzeichnung nach VDA260
2	DATA CLOCK Datumuhr
3	CAVITY MARK Nestmarkierung
4	MVL COMPANY LOGO MVL Firmenlogo
5	CAVITY-NO. Kammernummerierung
6	REVISION INDEX SEE TABLE Aenderungsindeks siehe Tabelle
7	MVL ASSEMBLY PART-NO. MVL Bauteil-Nr.
8	ONLY THE GERMAN LANGUAGE SHALL BE BINDING Nur der deutsche Text ist bindend



PART-NO. Teile-Nr.	REV INDEX	PART-NO. Teile-Nr.	REV INDEX	ITEM POSITION	QUANTITY Menge	NAME Benennung	MATERIAL Material	COLOUR Farbe	MVL	DELPHI
F004200	C	13873952	01	3	1	SEAL Dichtung	SILICON	ORANGE orange		
				2	1	TPA Kontaktsicherung	PBT GF15HR	VIOLET violett	F353200 93320100C	33500406
				1	1	HOUSING 4-WAY Gehäuse 4-pol	PBT GF15HR	BLACK schwarz		
PART-NO. Teile-Nr.		REV INDEX		ITEM POSITION		MATERIAL		MVL		DELPHI
MVL		DELPHI						COUNTER PART Gegenstueck		



DESCRIPTION	MVL PART-NO.	DELPHI PART-NO.	WIRE CORSS SECTION (mm²)	MATERIAL / SURFACE	MVL PART-NO.	DELPHI PART-NO.	FOR INSULATION Ø (mm)	COLOR	CRIMP SPEC
2x FEMALE TERMINAL "BOX" 9.5mm	Ag VERSION	6 007 04 72	13667458	>6.00 - 10.00	CONTACT BODY:Grundfeder: Cu Cr Ti Si / Ag (K75)	6 099 33 04	10889241	5.40 - 6.50	YELLOW gelb
		6 007 04 62	13960627	>4.00 - 6.00	LOCKING SPRING: Ueberfeder: X10 Cr Ni 18 8 / BLANK	6 099 33 01	15327788	4.00 - 5.00	BLACK schwarz
		6 007 04 52	33510888	>2.50 - 4.00		6 099 33 08	13546490	3.40 - 4.40	GREEN gruen
	Sn VERSION	6 007 04 71	10780234	>6.00 - 10.00	CONTACT BODY:Grundfeder: Cu Cr Ti Si / Sn (K75)	6 099 33 04	10889241	5.40 - 6.50	YELLOW gelb
		6 007 04 61	10780235	>4.00 - 6.00	LOCKING SPRING: Ueberfeder: X10 Cr Ni 18 8 / BLANK	6 099 33 01	15327788	4.00 - 5.00	BLACK schwarz
		6 007 04 51	10780236	>2.50 - 4.00		6 099 33 08	13546490	3.40 - 4.40	GREEN gruen
2x FEMALE TERMINAL "BOX" 4.8mm	Ag VERSION	6 004 04 52	15491921	>2.50 - 4.00	CONTACT BODY:Grundfeder: Cu Cr Si Ti / Ag	6 099 26 06	12186636	3.40 - 3.70	WHITE weiss
		6 004 04 42	13959082	>1.00 - 2.50	Rm 480 N/mm²	6 099 26 04	15443869	2.10 - 3.00	YELLOW gelb
		6 004 04 32	13688646	>0.50 - 1.00	LOCKING SPRING: Ueberfeder: X12 Cr Ni 17 7k / BLANK	6 099 26 07	10788269	1.40 - 2.10	GREEN gruen
	Sn VERSION	6 004 04 51	10811290	>2.50 - 4.00	CONTACT BODY:Grundfeder: Cu Cr Si Ti / Sn	6 099 26 06	12186636	3.40 - 3.70	WHITE weiss
		6 004 04 41	10811291	>1.00 - 2.50	Rm 480 N/mm²	6 099 26 04	15443869	2.10 - 3.00	YELLOW gelb
		6 004 04 31	10811289	>0.50 - 1.00	LOCKING SPRING: Ueberfeder: X12 Cr Ni 17 7k / BLANK	6 099 26 07	10788269	1.40 - 2.10	GREEN gruen

CUSTOMER NEUTRAL VERSION  
Kundenneutrale Variante

13-00543	AF 11-16	REDRAWN IN DELPHI TITLE BLOCK, SEE REV. "C" FOR PREVIOUS CHANGES
ECH-NR. Eck-Nummer	POSITION	CHANGE DESCRIPTION Aenderungsbeschreibung
PROJECT SPEC. Projektspez.	PACKAGING SPEC. Verpackungsspez.	APPLICATION SPEC. Anwendungsspez.
COPYRIGHT DELPHI CORPORATION AND/OR ITS AFFILIATES. ALL RIGHTS RESERVED. REVISED THIS DRAWING IS THE PROPERTY OF DELPHI CORPORATION AND/OR ITS AFFILIATES. NO REPRODUCTION, DISTRIBUTION AND/OR SALE OF THIS DRAWING OR ITS CONTENTS OR ANY PART THEREOF IS PERMITTED WITHOUT EXPRESS WRITTEN PERMISSION FROM DELPHI CORPORATION.		
TOLERANCES Toleranzen	±0.2	±2*
CONTRACT NO. Vertrags-Nr.	SEE TABLE	APPROX. WEIGHT: 27.5g
DO NOT REASURE DRAWING Nicht versichern	SEE TABLE	ECO LTR: C44
DATE Datum	NAME Name	TITLE Titel
20150915	Subashini ANUP	4W SEALED FEMALE CONNECTOR
20150915	M SCHINDHELM	4W COOLING FAN CONNECTOR
20150915	CHR HOERNELM	EU-030039
FILE NAME Datei-Name	PCC0573522	

DELPHI ELECTRICAL/ELECTRONIC ARCHITECTURE  
PCC0573522  
SERIAL RELEASED

EUR CON. 112 FEB 03S

# Mouser Electronics

Authorized Distributor

Click to View Pricing, Inventory, Delivery & Lifecycle Information:

[Aptiv:](#)

[F004200](#) [F004200-B](#)