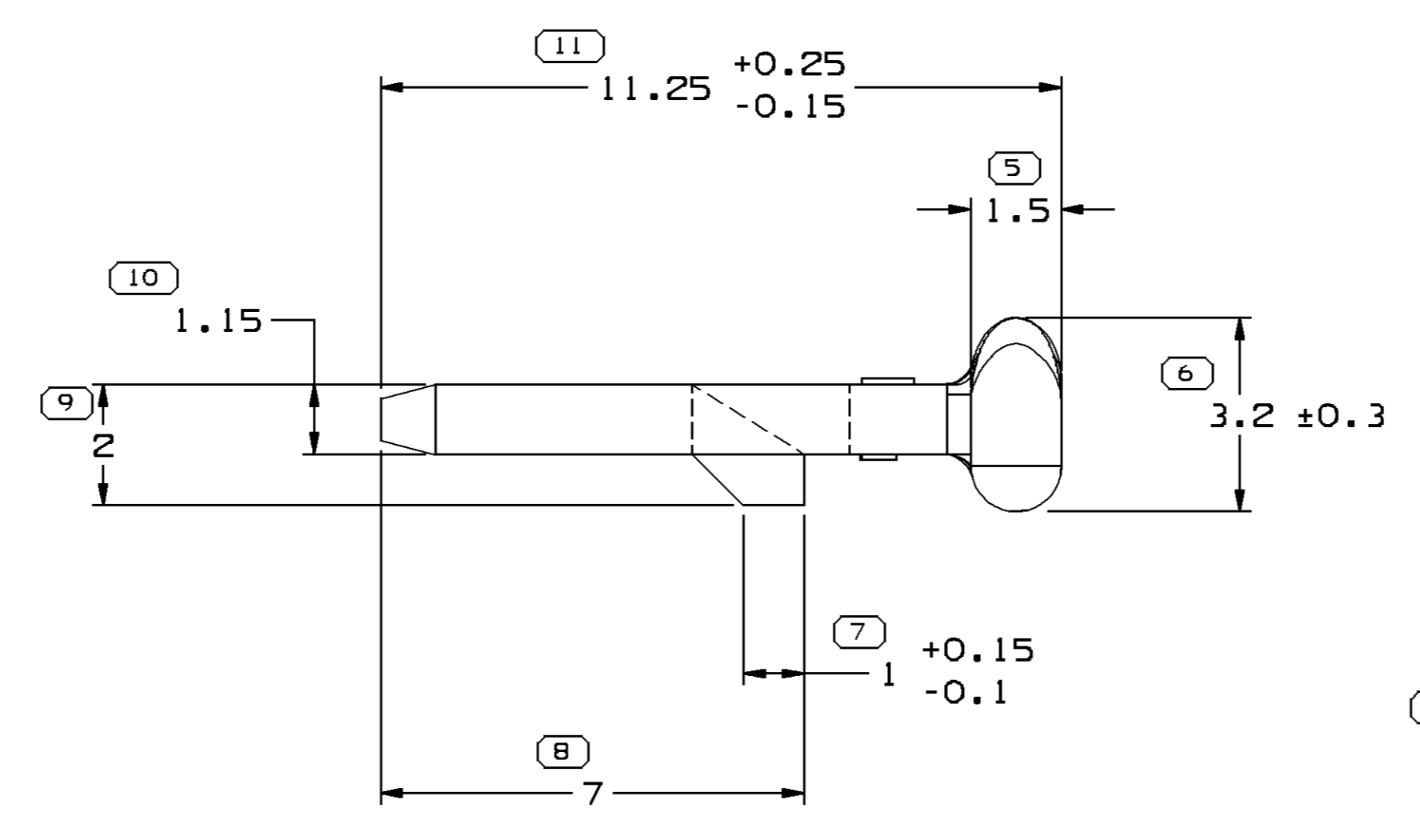
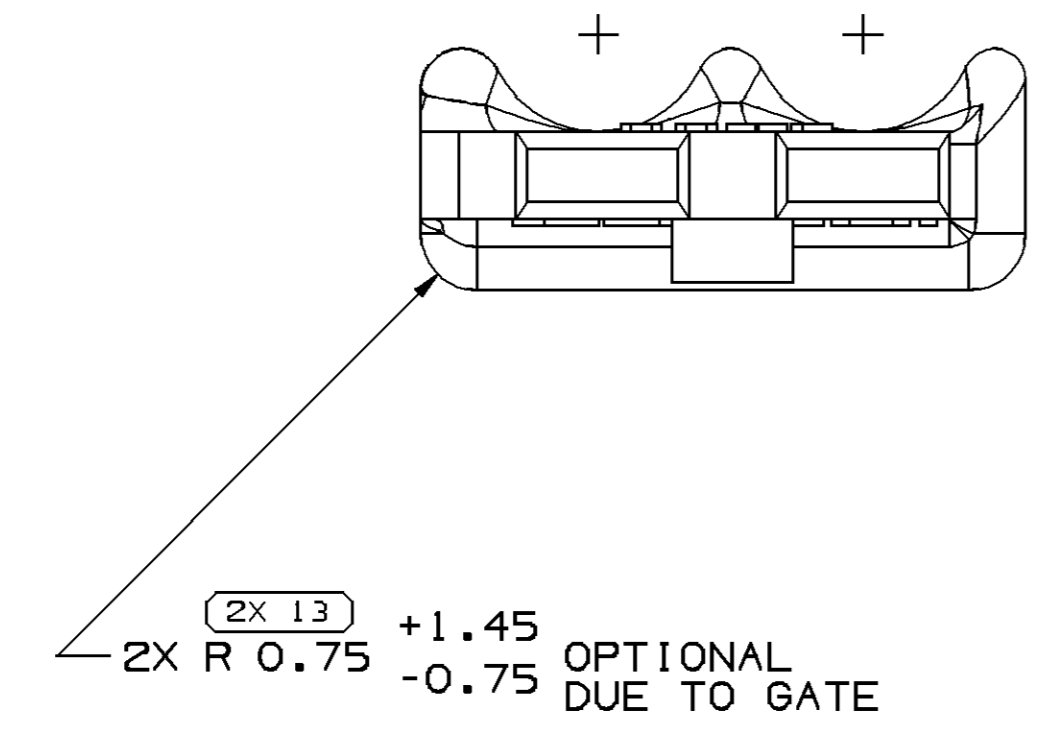
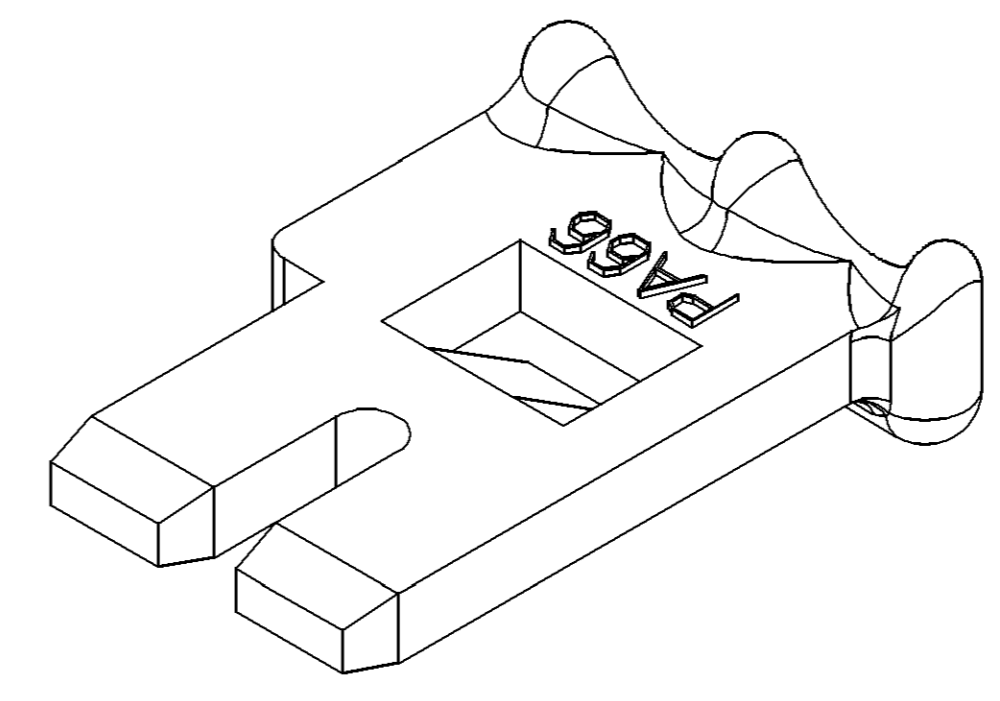
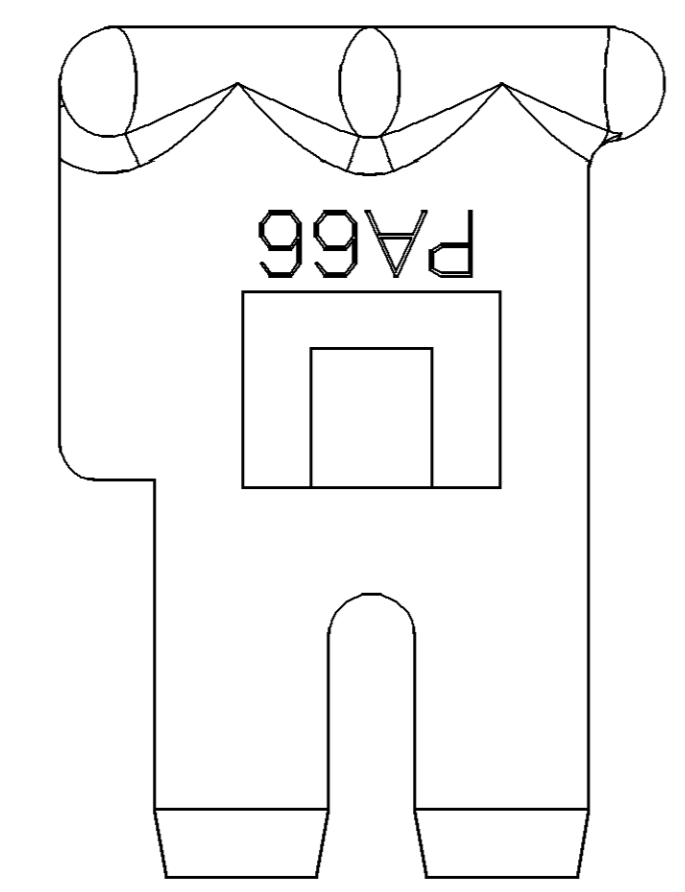
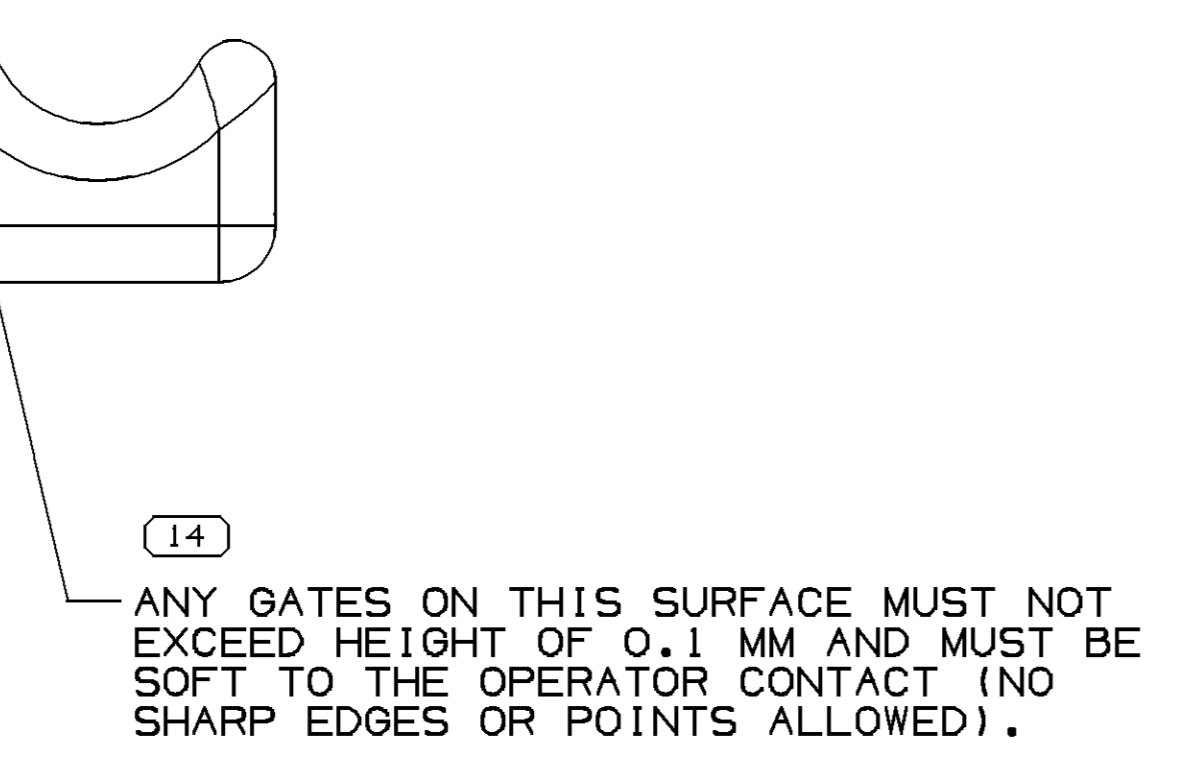
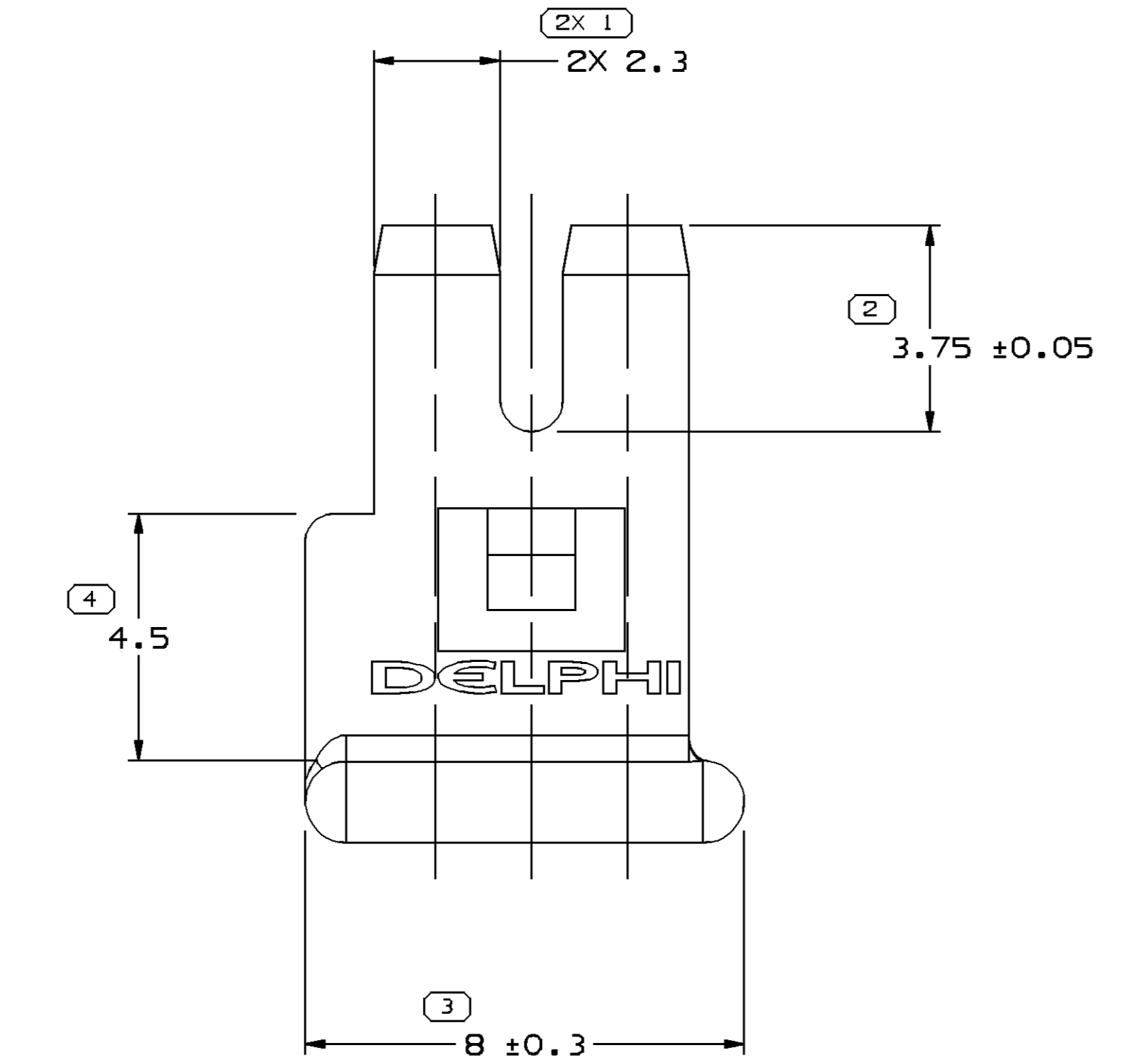


SYMBOL DEFINITION		TOTAL NO OF INSPECTIONS REQUIRED	MISSING SYMBOLS
A DIMENSION WITHOUT AN INSPECTION REPORT SYMBOL DOES NOT REQUIRE INSPECTION. IT MAY BE CONTROLLED ON THE INDIVIDUAL COMPONENT DRAWING.		16	NO MISSING SYMBOL NUMBER
LAST NO. USED		14	

DWG STATUS				REVISION HISTORY				AUTH	DR	APV'D
DATE	STG	REV	N/P	CHG	ZONE					
01M102	R	AB	-	-		CLEARED REVISION COLUMN, ADDED OPTIONAL CONSTRUCTION, NOTE, DIMENSION & REVISED MAT'L SPEC	223852	LEB	BEG	GM
12A003	R	A9	-	-		UPDATED PDM ATTRIBUTES	244613	GMZ	GMZ	GM
08N006	R	01	AK	-		12047664 RESTRICTED REPLACED BY 15324070	286563	MM	MM	BG



12 NO GATES, PROTRUSIONS OR SHARP EDGES ALLOWED ON THIS SURFACE.



14 ANY GATES ON THIS SURFACE MUST NOT EXCEED HEIGHT OF 0.1 MM AND MUST BE SOFT TO THE OPERATOR CONTACT (NO SHARP EDGES OR POINTS ALLOWED).

OPTIONAL CONSTRUCTION

RESTRICTED USAGE
REPLACED BY
15324070

NOTES

- UNLESS OTHERWISE SPECIFIED AND/OR INDICATED: DIMENSIONS ARE TO FACE OF VIEW SHOWN AND AUTOMATICALLY ROUNDED BY COMPUTER FOR INSPECTION (SEE MATH MODEL FOR PRECISE DIMENSIONS). FOR ALL OTHER DIMENSIONS NOT SHOWN BUT REQUIRED FOR TOOL BUILD, SEE MATH MODEL FOR PRECISE TOOL PATH DATA.
- MATERIAL RECYCLING CODE >PA66< PER SAE J1344. (2.3)X(0.1) RAISED CHARACTERS AS SHOWN TO BE LOCATED ON ANY EXTERIOR SURFACE. OPTIONAL CONSTRUCTION TO BE NO MATERIAL RECYCLING CODE.
- THIS PART IS NOT CONTROLLED FOR AUTOMATIC FEEDING.
- MATING COMPONENTS OR EQUIVALENT: CONNECTOR 12047662 & 12047785
- (2.3)X(0.1) RAISED DELPHI CORPORATE BRAND TO BE LOCATED ON ANY EXTERIOR SURFACE, PREFERABLY VISIBLE AT FINAL ASSEMBLY. OPTIONAL CONSTRUCTION TO BE "PED" OR NO LOGO.

DWG TYPE PART DRAWING																					
STYLE																					
VOLUME 10/P 0,085	DISTR CODE D																				
UNLESS OTHERWISE SPECIFIED THIS DOCUMENT IS IN ACCORDANCE WITH ASME Y14.5M-1994 AS INDICATED BY THE MM SYMBOL. DIMENSIONS AND TOLERANCES ARE IN MILLIMETERS UNLESS OTHERWISE SPECIFIED. FEATURES MAY BE DIMED SEPARATELY PER RULES OF DIMM REFERENCES.																					
ALL DIMENSIONS ARE IN MILLIMETERS																					
REFERENCE																					
THIRD ANGLE PROJECTION																					
DO NOT SCALE																					
USE MATH DATA																					
<table border="1"> <thead> <tr> <th>DIMENSIONAL RANGE (MM)</th> <th>TOLERANCE UNLESS OTHERWISE SPECIFIED</th> </tr> </thead> <tbody> <tr> <td>FROM > 0 TO > 20</td> <td>±0.15</td> </tr> <tr> <td>> 20 TO > 30</td> <td>±0.2</td> </tr> <tr> <td>> 30 TO > 70</td> <td>±0.3</td> </tr> <tr> <td>> 70 TO > 100</td> <td>±0.4</td> </tr> <tr> <td>> 100 TO > 150</td> <td>±0.5</td> </tr> <tr> <td>> 150 TO > 200</td> <td>±0.6</td> </tr> <tr> <td>> 200 TO > 250</td> <td>±0.8</td> </tr> <tr> <td>> 250 TO > 300</td> <td>±1.0</td> </tr> <tr> <td>> 300 TO > 400</td> <td>±1.2</td> </tr> </tbody> </table>		DIMENSIONAL RANGE (MM)	TOLERANCE UNLESS OTHERWISE SPECIFIED	FROM > 0 TO > 20	±0.15	> 20 TO > 30	±0.2	> 30 TO > 70	±0.3	> 70 TO > 100	±0.4	> 100 TO > 150	±0.5	> 150 TO > 200	±0.6	> 200 TO > 250	±0.8	> 250 TO > 300	±1.0	> 300 TO > 400	±1.2
DIMENSIONAL RANGE (MM)	TOLERANCE UNLESS OTHERWISE SPECIFIED																				
FROM > 0 TO > 20	±0.15																				
> 20 TO > 30	±0.2																				
> 30 TO > 70	±0.3																				
> 70 TO > 100	±0.4																				
> 100 TO > 150	±0.5																				
> 150 TO > 200	±0.6																				
> 200 TO > 250	±0.8																				
> 250 TO > 300	±1.0																				
> 300 TO > 400	±1.2																				
<table border="1"> <thead> <tr> <th>SHORT ET</th> <th>ANGULAR TOLERANCE 2°</th> </tr> </thead> <tbody> <tr> <td>±0.1</td> <td>±1</td> </tr> <tr> <td>±0.2</td> <td>±1.2</td> </tr> <tr> <td>±0.3</td> <td>±1.5</td> </tr> <tr> <td>±0.4</td> <td>±2</td> </tr> <tr> <td>±0.5</td> <td>±2.5</td> </tr> <tr> <td>±0.6</td> <td>±3</td> </tr> <tr> <td>±0.8</td> <td>±4</td> </tr> <tr> <td>±1</td> <td>±5</td> </tr> <tr> <td>±1.2</td> <td>±6</td> </tr> </tbody> </table>		SHORT ET	ANGULAR TOLERANCE 2°	±0.1	±1	±0.2	±1.2	±0.3	±1.5	±0.4	±2	±0.5	±2.5	±0.6	±3	±0.8	±4	±1	±5	±1.2	±6
SHORT ET	ANGULAR TOLERANCE 2°																				
±0.1	±1																				
±0.2	±1.2																				
±0.3	±1.5																				
±0.4	±2																				
±0.5	±2.5																				
±0.6	±3																				
±0.8	±4																				
±1	±5																				
±1.2	±6																				

DELPHI	
DELPHI PACKARD ELECTRIC SYSTEMS WARREN, OH	
DR	DATE
APV'D1 E. VAZQUEZ	15JNO1
APV'D2 E. VAZQUEZ	15JNO1
APV'D3 G. MACIAS	18JNO1
APV'D4	
APV'D5	
SUBSTANCES OF CONCERN AND RECYCLED CONTENT PER DELPHI 1094001	
MATERIAL: W3592025 PA66 HS 1M GRA MD	
DRAWING NAME LOCK SECONDARY TPA M/P GRA MD	
DRAWING NUMBER 12047664	
SIZE AO	SCALE 10:1
FRAME NO 1	SHEET NO 1
REV R	N/P AK

Mouser Electronics

Authorized Distributor

Click to View Pricing, Inventory, Delivery & Lifecycle Information:

[Aptiv:](#)

[12047664](#) [12047664-B](#)