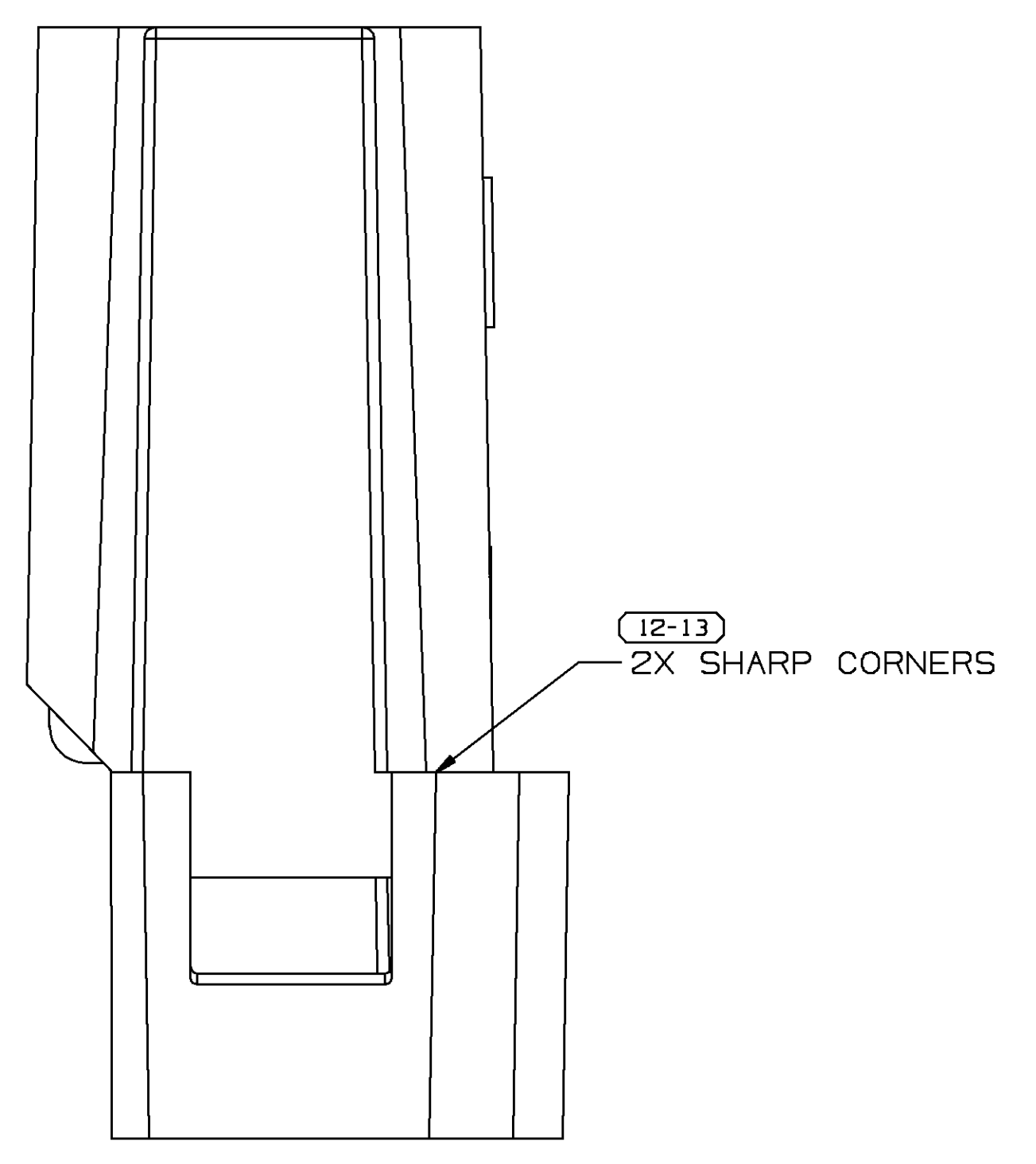
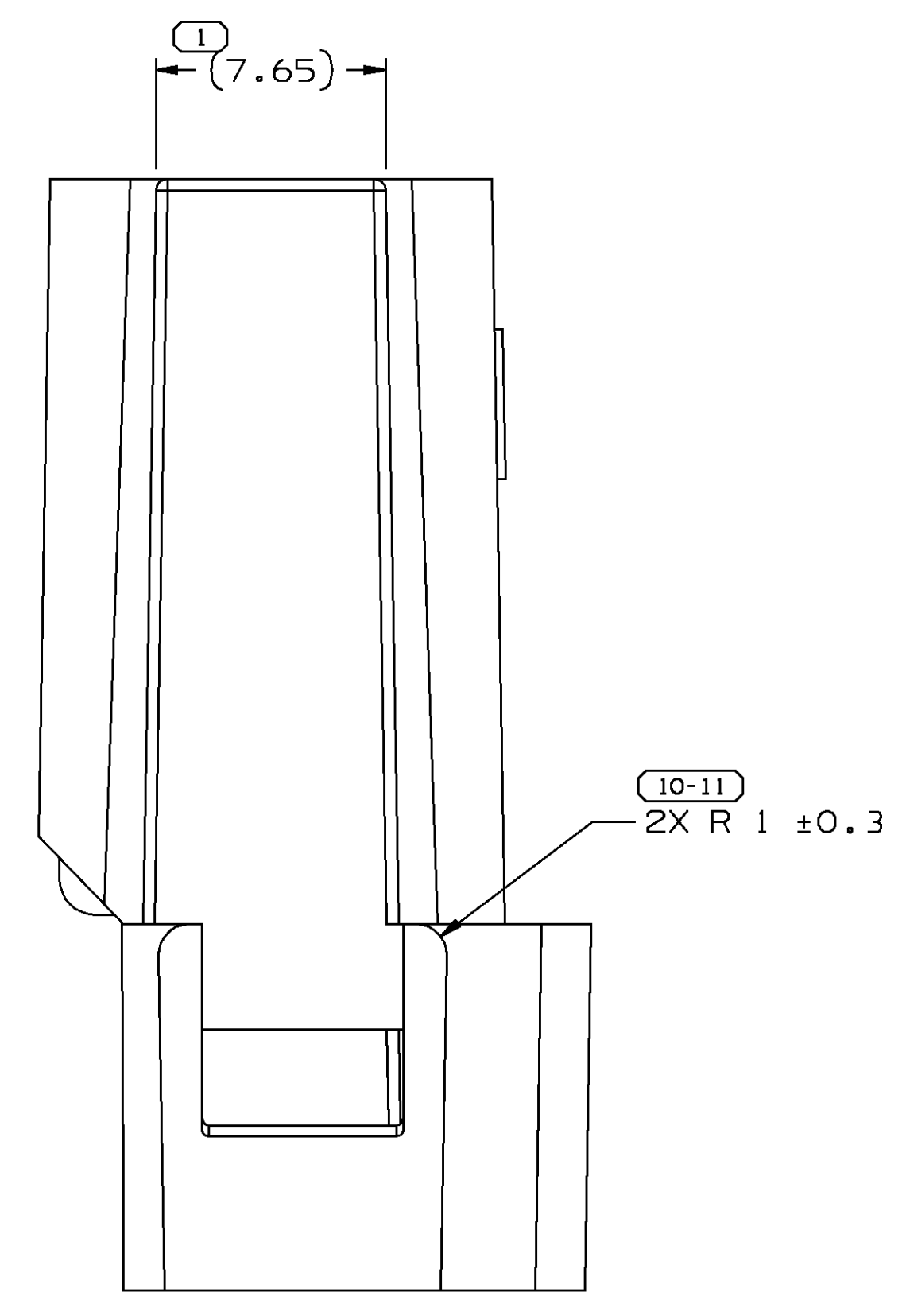
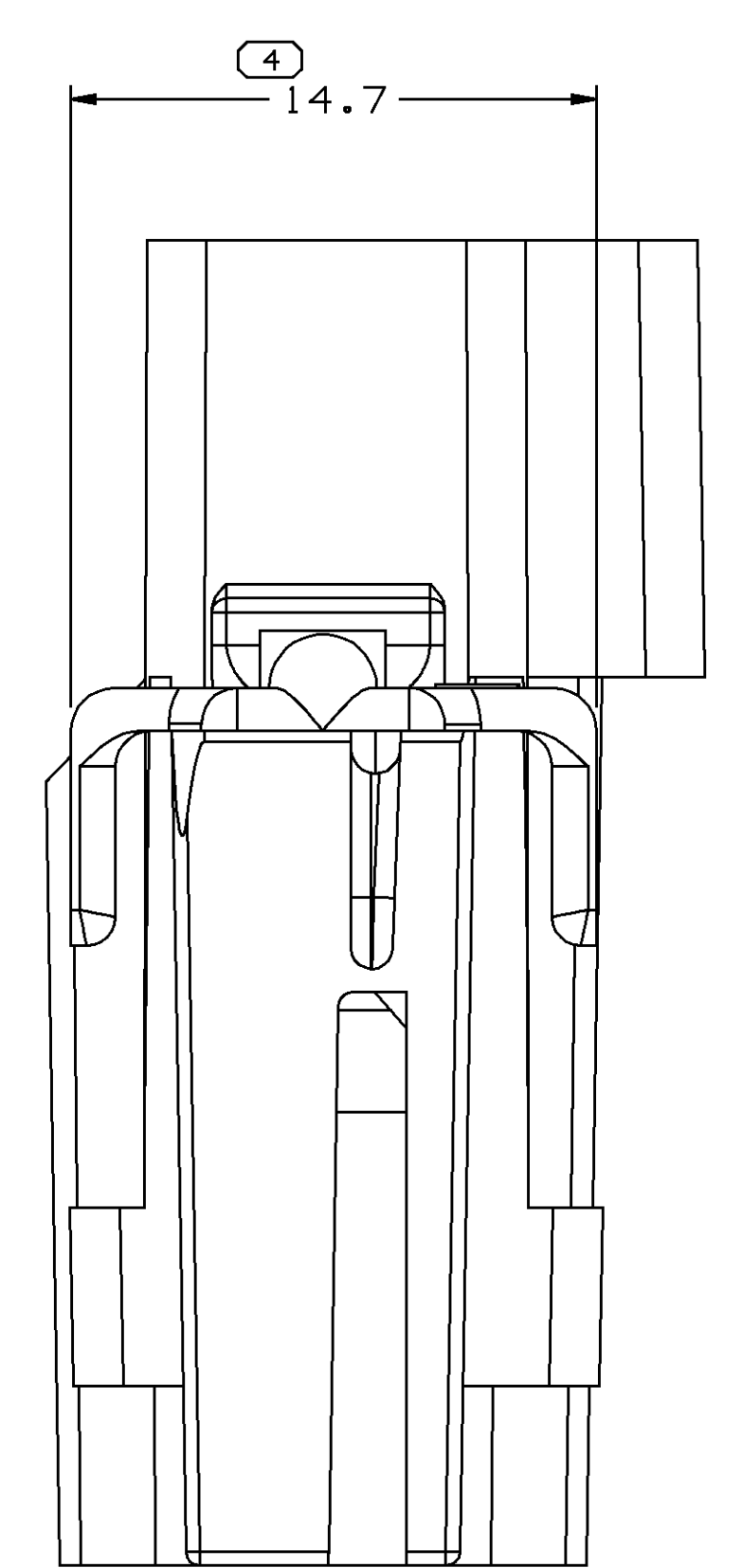
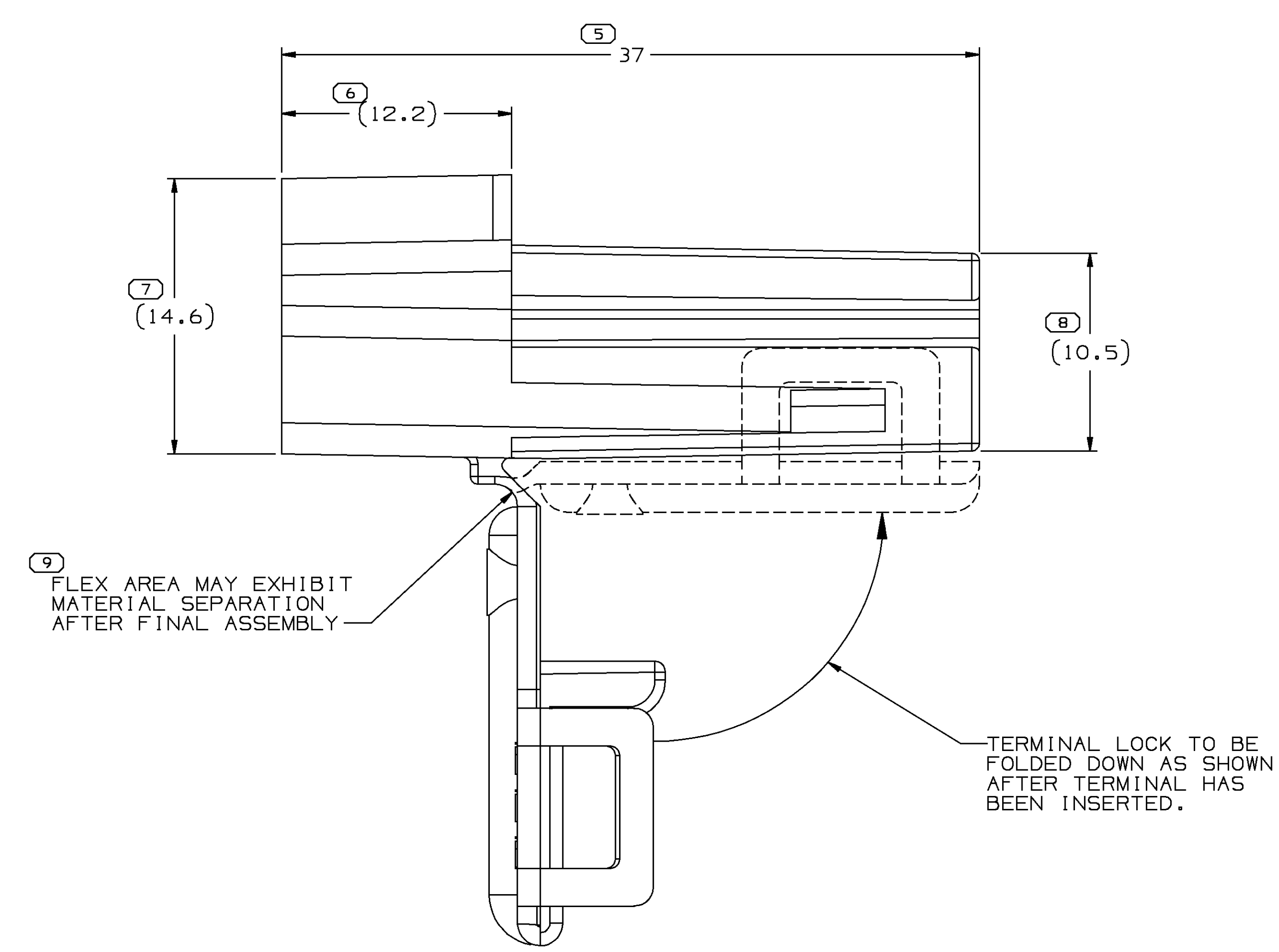
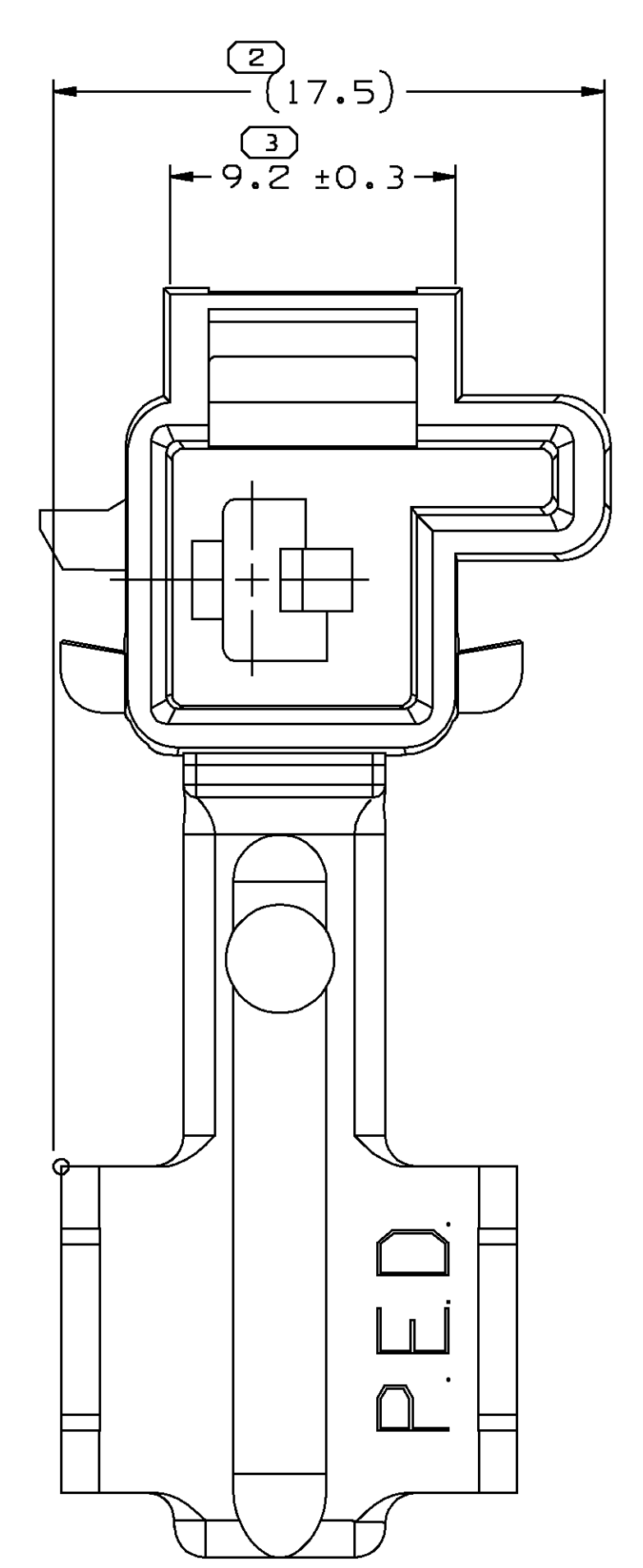


DELPHI PACKARD ELECTRIC SYSTEMS
WARREN, OHIO 44480

SYMBOL DEFINITION		MISSING NUMBERS		DATE	SYM	REVISION RECORD	AUTH	DR	CK
THE NUMBER INSIDE THE SYMBOL CORRESPONDS TO THE NUMBER ON THE INSPECTION REPORT FOR THIS DRAWING/PART NUMBER	TOTAL NO. OF SYMBOLS ON DRAWING	11		31 JUL 98	K2	REDRAWN TO PD1	ADDED		
	LAST NO. USED	13				OPTIONAL CONSTRUCTION		187261	EAR/MC

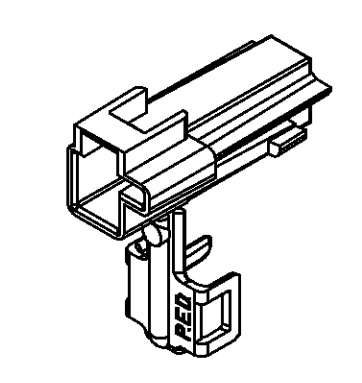


OPTIONAL CONSTRUCTION



PART NO
1201 5987

PART NO
1201 5987



- NOTES
- UNLESS OTHERWISE SPECIFIED AND/OR INDICATED: DIMENSIONS ARE TO FACE OF VIEW SHOWN AND AUTOMATICALLY ROUNDED BY COMPUTER FOR INSPECTION. (SEE MATH MODEL FOR PRECISE DIMENSIONS.) FOR ALL OTHER DIMENSIONS NOT SHOWN BUT REQUIRED FOR TOOL BUILD, SEE MATH MODEL FOR PRECISE TOOL PATH DATA.
 - THIS PART ACCEPTS THE FOLLOWING COMPONENTS OR EQUIVALENT: CAVITY TO ACCEPT 12020123 TERMINAL OR EQUIVALENT.
 - MATING COMPONENT OR EQUIVALENT: CONNECTOR 12015952

PART DRAWING

THIRD ANGLE PROJECTION

Ugraphics

CODE NO 6900 QC

DWG DATE 24SE80

SCALE 5:1

REFERENCE NO 001,701

DES OR DIANA GAYDOSHO5APB1
CK D.E. LBIRY 13APB1
APPR. SAVERISM 27APB1
VOL CM³ 3.213

MATERIAL SPEC R0071784 PA66 HS 1M-GR4 MD

NAME CONN 1M M/P 480

PART NUMBER 1201 5987

SIZE A0

ISO 2003

THE DIMENSION NUMBERS SHOWN BELOW INDICATE DIMENSIONS THAT ARE SENSITIVE FOR PART PRODUCTION	(3) (5) (6)			
DIMENSIONS ENCLOSED IN () INDICATE REFERENCE DIMENSIONS AND NO TOLERANCE LIMITS ARE ESTABLISHED				
DIMENSIONAL RANGE				
FROM 0	> 20	> 30	> 70	> 100
TO 20	30	70	100	
TOLERANCE UNLESS OTHERWISE SPECIFIED:				
(0 - 15) ± 0.2	(0 - 3) ± 0.4	(1 - 5) ± 0.5		
ANGULAR TOLERANCE ± 2°				

Mouser Electronics

Authorized Distributor

Click to View Pricing, Inventory, Delivery & Lifecycle Information:

[Aptiv:](#)
[12015987](#)