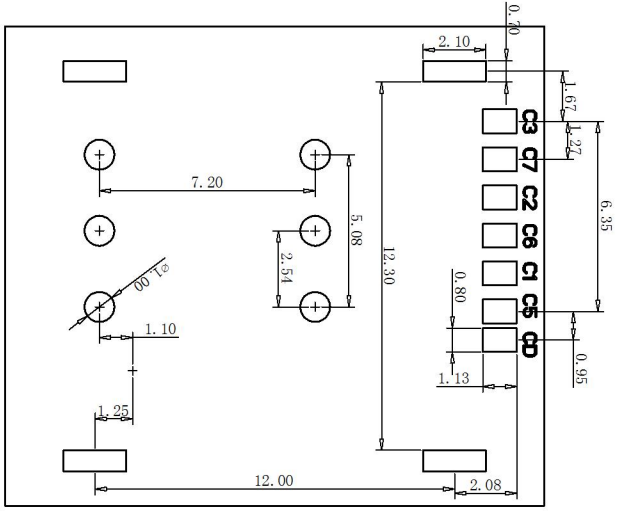
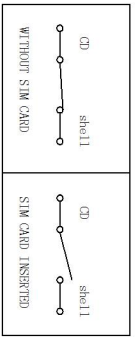
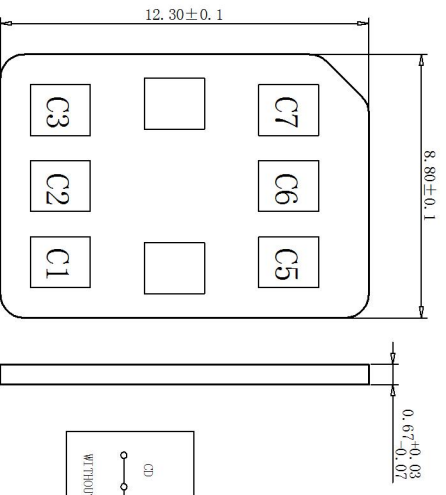
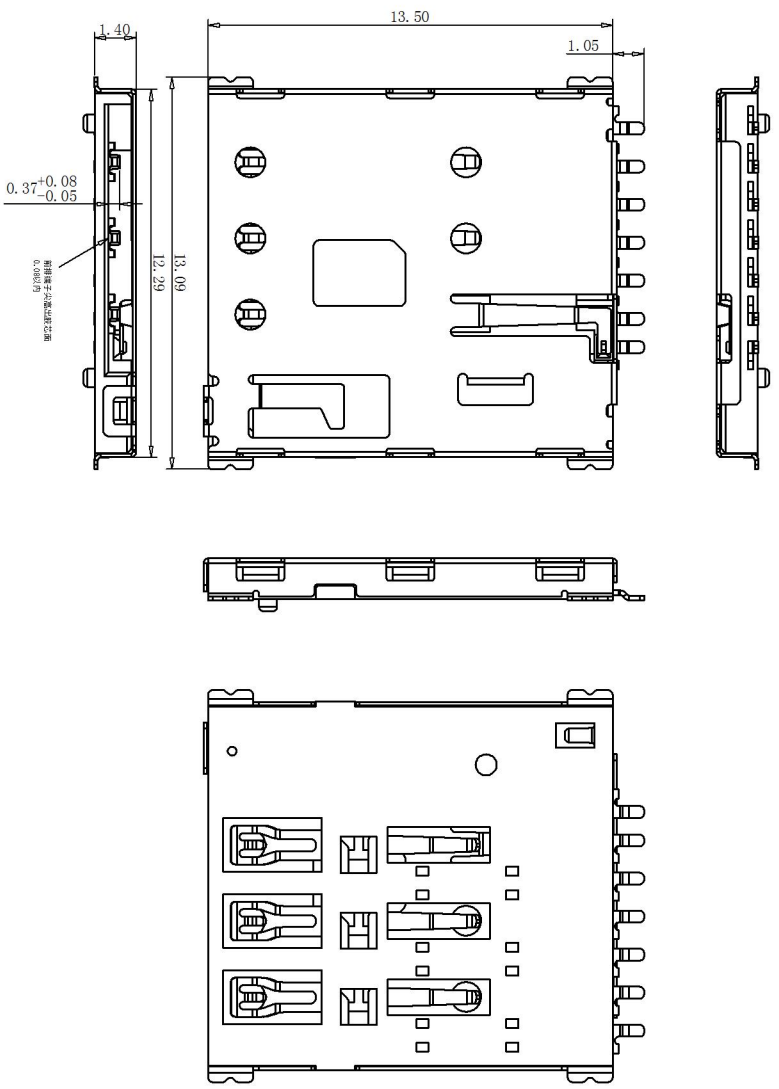


REV.	DESCRIPTION	APPD	DATE



- 1) MATERIAL:
HOUSING: LCP S475 UL 94V-0
CONTACT: G5210R-H
SHELL: SUS304-H
- 2) FINISH:
CONTACT: GOLD FLASH PLATED ON CONTACT AREA;
GOLD FLASH PLATED ON SOLDER TAILS,
- 3) ELECTRICAL CHARACTERISTICS
RATING CURRENT : 0.5A MAX.
CONTACT RESISTANCE : 50 mΩ MAX
DIELECTRIC WITHSTANDING : 500V AC MIN.
INSULATION RESISTANCE: 1000 MΩ MIN.
- 4) MECHANICAL CHARACTERISTICS
MATING CYCLE : 3000 CYCLES

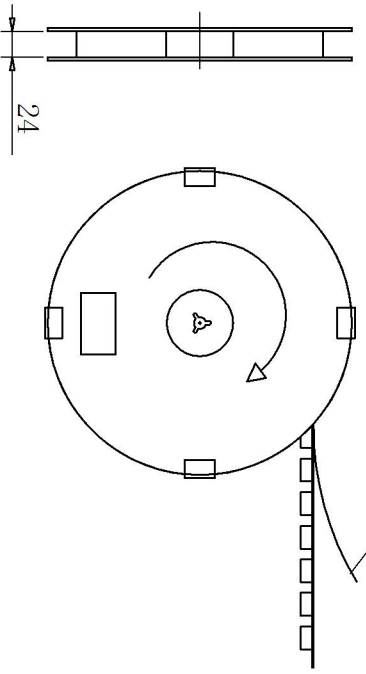
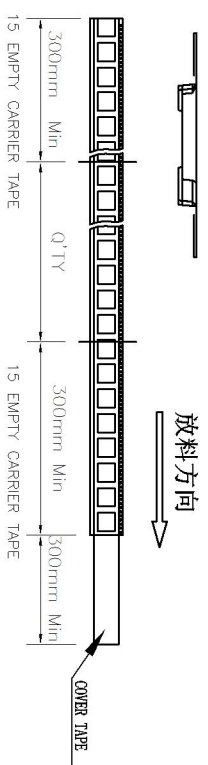
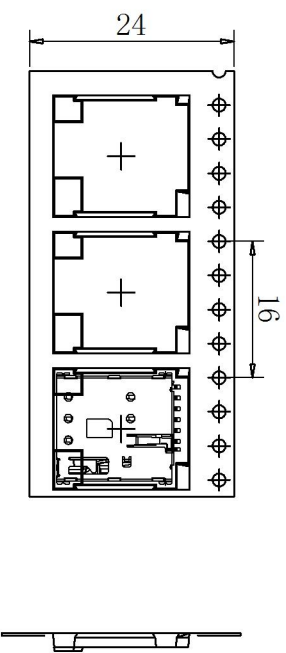
SIM pin Assignment	Name
PIN#	
C1	VCC
C2	RST
C3	CLK
C5	GND
C6	VPP
C7	I/O

DWG NO: LXSIM-090013-01		MATERIAL:	
LOT NO:		FINISH:	
UNIT: MM	SIZE: A4	COLOR:	
TOLERANCES:		GENERAL	
X, X±, ±0.35	ANGLE:	X, X± ±3.0°	
X, XX± ±0.25		X, XX± ±2.0°	
X, XXX± ±0.15			
DR: 刘军		TITLE:	
CHK:		PART NO: NANO SIM PUSN 卡座 无柱	
APP:		XDSM-0240-2183B	
SCALE: 1:1		REV: A	
SHEET: 1 OF 1		REV: A	

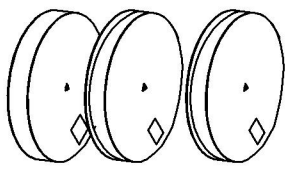
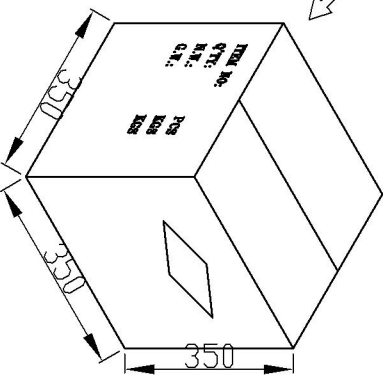
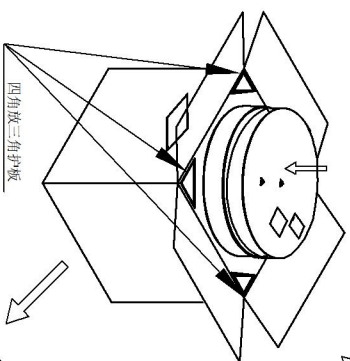
深圳市连欣科技有限公司

REV.	DESCRIPTION	APPD	DATE

QTY/REEL	REEL/CARTON	QTY/CARTON
1500	10	15000



- 1, 每盘前后空5PSC, 中间包装1500PCS
- 2, 每箱10盘, 共15000PCS。
- 3, 纸箱四角放脚柱。



DWG NO: LXSIM-090013-01		MATERIAL:	
LOT NO:		FINISH:	
UNIT: MM	SIZE: A4	COLOR:	
TOLERANCES:		GENERAL	
X, X = ±0.35	ANGLE:	DR: 刘军	
X, XX = ±0.25	X, X = ±3.0°	CHK:	
X, XXX = ±0.15	X, XX = ±2.0°	APP:	
TITLE: 深圳市连欣科技有限公司		PART NO: NANO SIM PUSN 卡座 无柱	
APP:		SCALE: 1:1	
APP:		SHEET: 1 OF 1	

A B C D E F 1 2 3 4 5 6 7 8