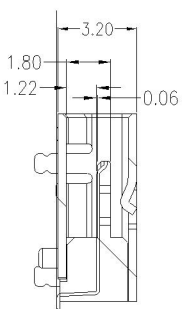
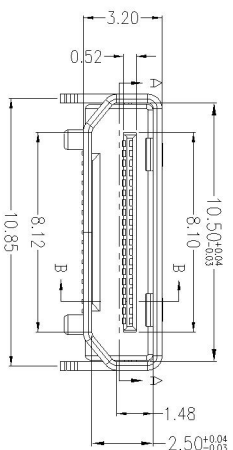
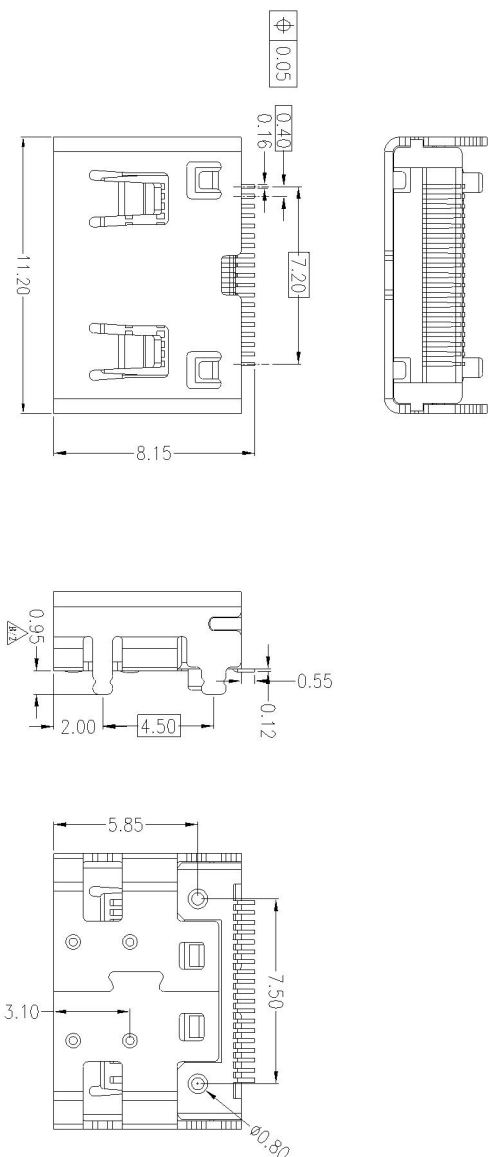
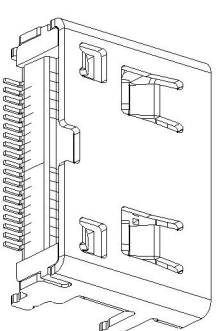
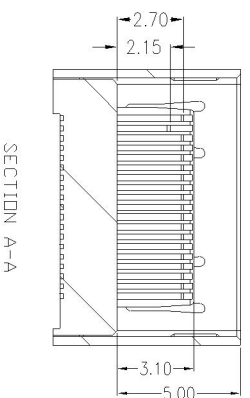


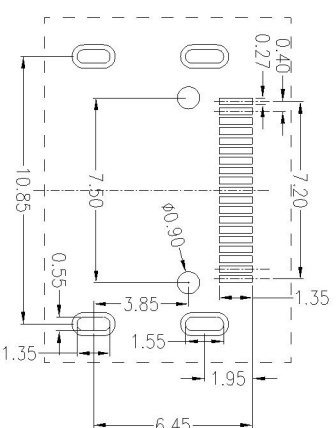
REV.	DESCRIPTION	APPD	DATE
A	外壳脚1.15改为0.95	刘静	20110308



SECTION B-B



SECTION A-A



RECOMMENDED P.C.B. HOLE LAYOUT
COMPONENT SIDE VIEW(TOLERANCE: +/-0.05)

NOTES:

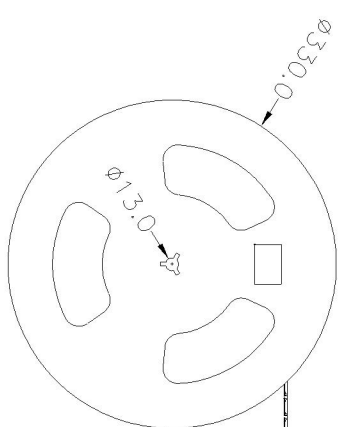
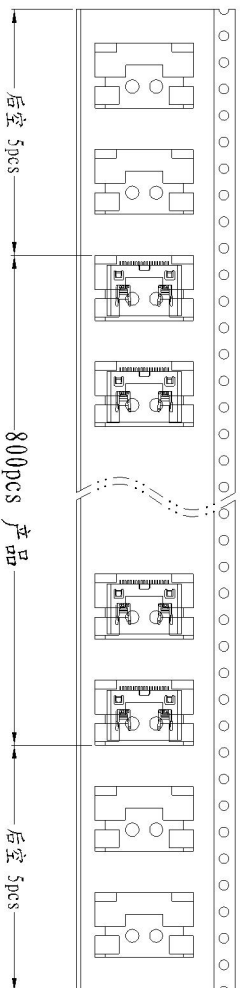
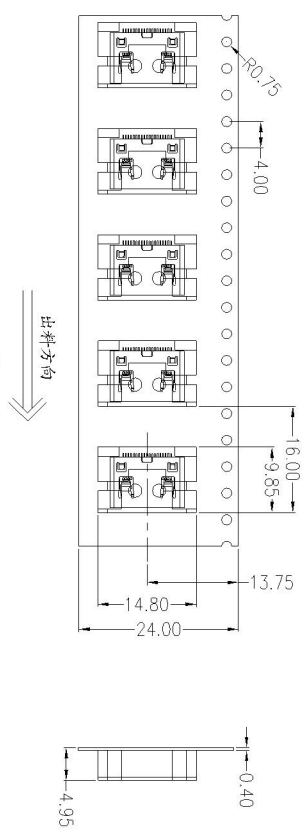
- 1.MATERIAL:
HOUSING: HIGH TEMPERATURE THERMOPLASTIC
UL94V_0,COLOR:BLACK.
CONTACT: COPPER ALLOYS.
COVER: COPPER ALLOYS OR STEEL.
- 2.PLATING:
UNDERPLATE: NICKEL.
CONTACT AREA: GOLD OVER NICKEL.
SOLDER AREA: GOLD OVER NICKEL.
- 3.MULTIMEDIA CARD COMPATIBLE

DWG NO: FP-100064		MATERIAL:	
LOT NO:		FINISH:	
UNIT: MM	SIZE: A4	COLOR:	
TOLERANCES:		DR: PENTIUM 0408*10	
X.X=±0.35	GENERAL ANGLE	TITLE: MINI HDMI (C TYPE) F	
X.XX=±0.25	XX=±3.0°	PART NO: XDHF-1903-1064	
X.XXX=±0.15	XXX=±2.0°	SCALE: 1 : 1	SHEET: 1 OF 2
APP:		REV:	

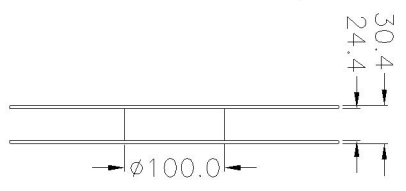
深圳市连欣科技有限公司



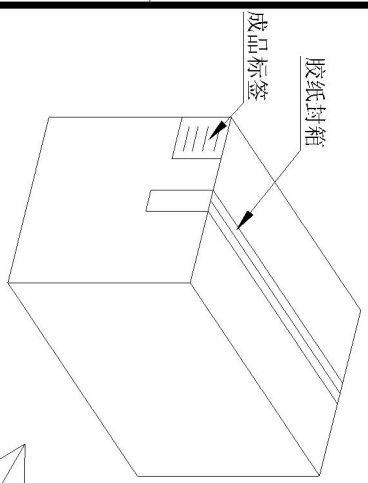
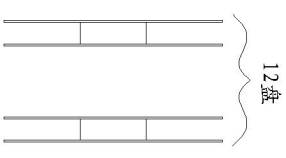
REV.	DESCRIPTION	APPD	DATE



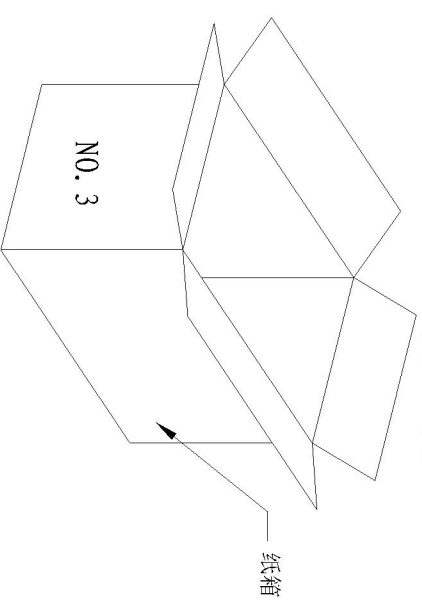
NO. 2



NO. 1



纸箱规格: 330*330*385
NO. 4



1. 材质要求:
- 1.1 纸箱的材质为B=B; 外形尺寸为33*33*38.5;
 - 1.2 卷盘的材质为PVC, 卷盘的外形尺寸为 $\phi 330*30.4$;
 - 1.3 卷带的材质为PVC, 卷带的外形尺寸为12960*24*4, 0mm;
2. 包装方式:
- 2.1 将卷带放入包装机后, 前空5PCS, 后放产品800PCS, 再后空5PCS, 上带留300MM长度。
 - 2.2 将包装好的产品从包装机上取下并包装好;
 - 2.3 把累叠好的12盘叠放入纸箱中共计9.6Kset 整箱重4.8KG
 - 2.4 把包装好的成品打包封箱, 并在纸箱外贴上标签

DWG NO: FP-100064		MATERIAL:	
LOT NO:		FINISH:	
UNIT: MM	SIZE: A4	COLOR:	
TOLERANCES:		DR: PENTTIUM 0408*10	
X.X=±0.35	GENERAL ANGLE:	CHK:	
X.XX=±0.25	XY=±3.0'	PART NO: XDHF-1903-1064	
X.XXX=±0.15	XXX=±2.0'	APP:	SCALE: 1:1
深圳市连欣科技有限公司		TITLE: MINI HDMI (C TYPE) F	
		REV:	
SHEET: 1 OF 2		REV:	