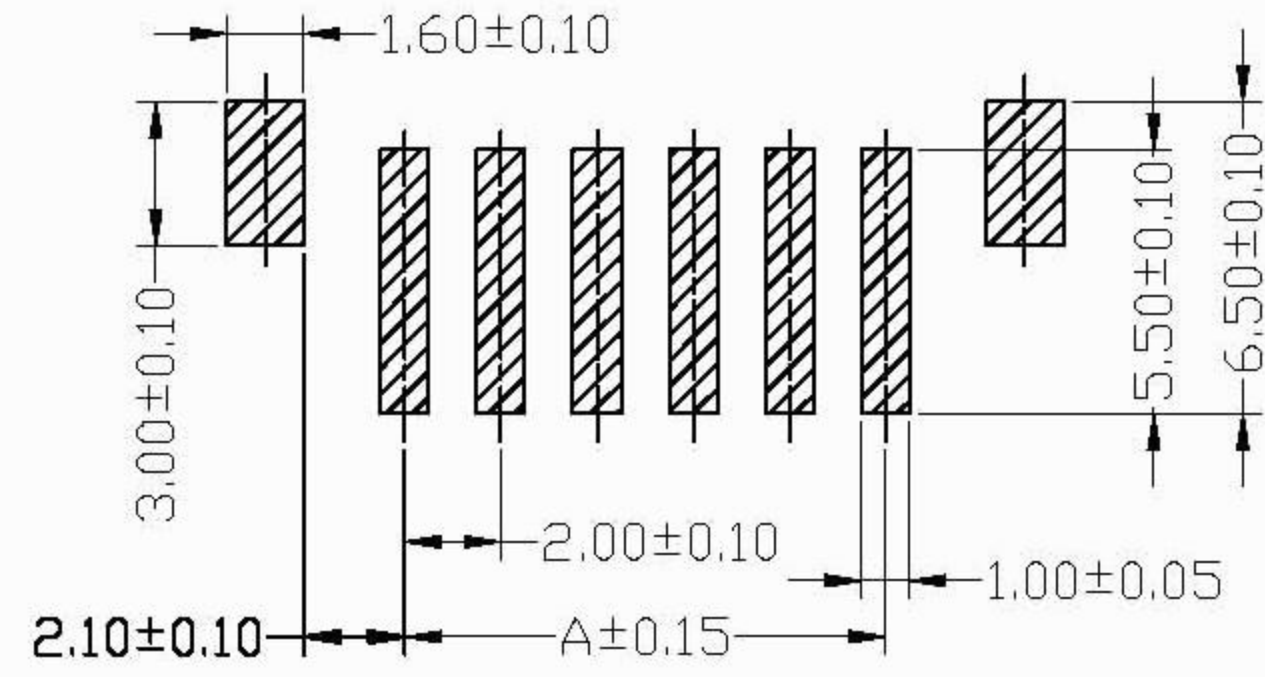
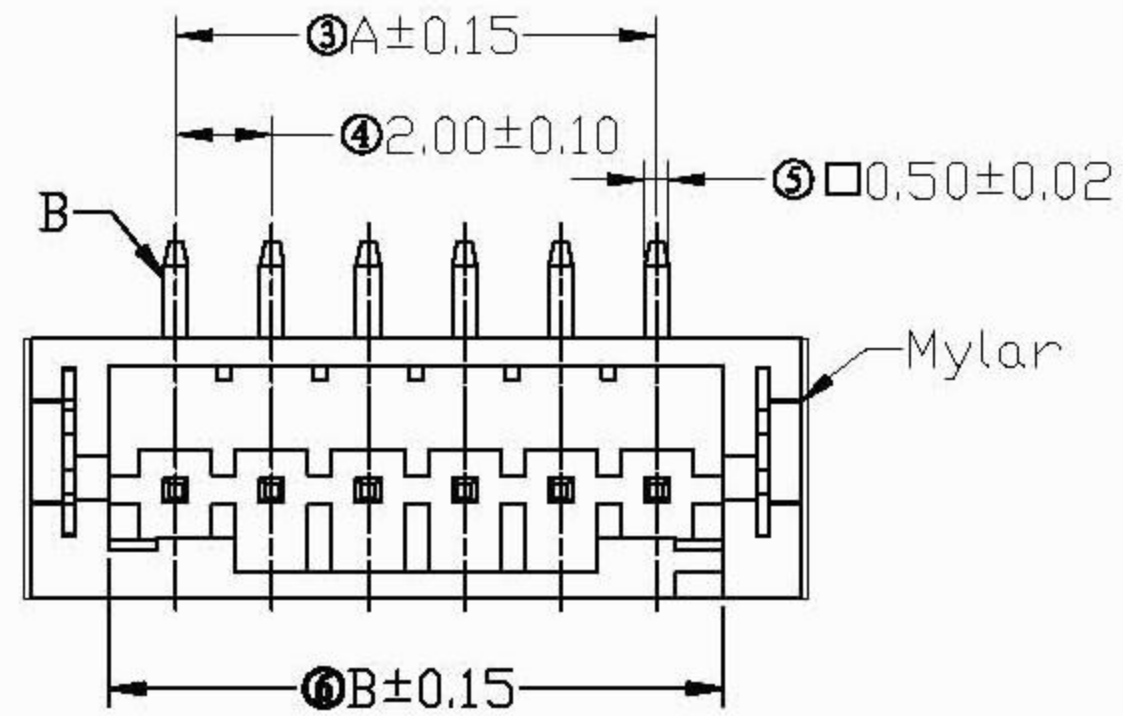
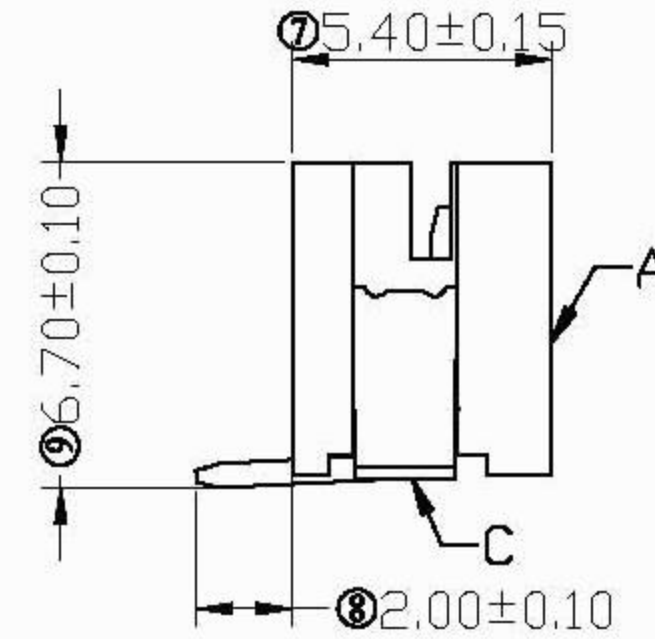
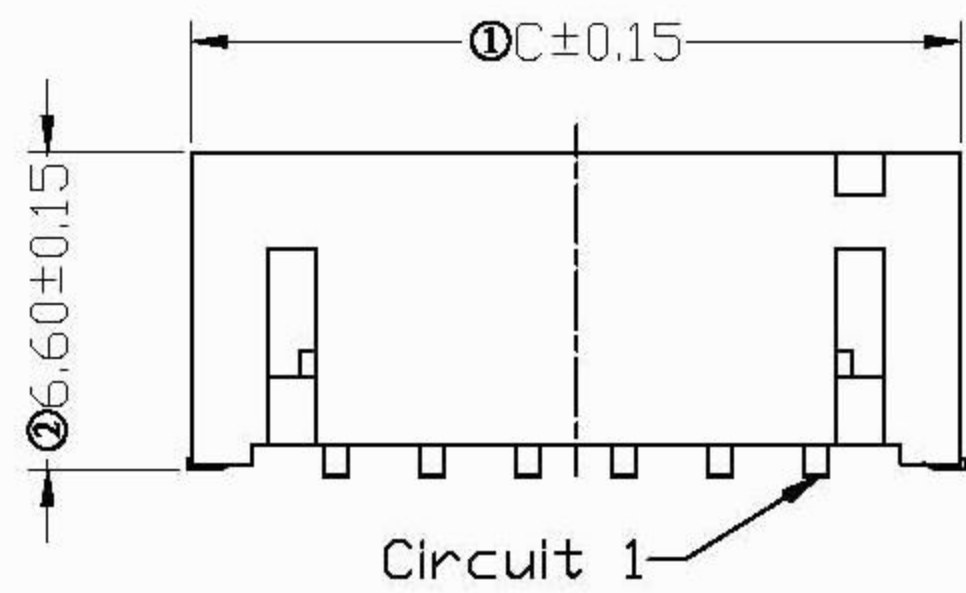
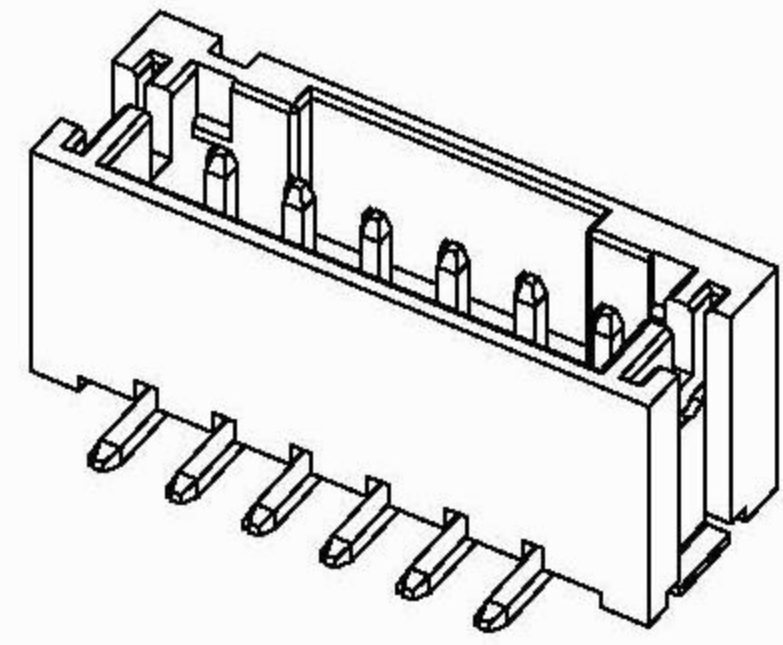


RoHS Compliant

REV.	ECN. NO.	DESCRIPTION	APPD.
	NEW RELEASE		



**SUGGESTED PCB LAYOUT**  
(COMPONENT SIDE)



**SPECIFICATION**

- 1 Contact resistance:  $\leq 10m\Omega$
- 2 Insulation resistance:  $\geq 1000M\Omega$
- 3 Rated voltage: 100 V AC DC
- 4 Rated current: 2.0 A AC DC
- 5 Withstand Voltage: 800V AC/minute
- 6 Temperature Range:  $-25^{\circ}C \sim +85^{\circ}C$

Circuits	Dimensions (mm)		
	A	B	C
02	2.00	4.80	8.00
03	4.00	6.80	10.00
04	6.00	8.80	12.00
05	8.00	10.80	14.00
06	10.00	12.80	16.00
07	12.00	14.80	18.00
08	14.00	16.80	20.00
09	16.00	18.80	22.00
10	18.00	20.80	24.00
11	20.00	22.80	26.00
12	22.00	24.80	28.00
13	24.00	26.80	30.00
14	26.00	28.80	32.00
15	28.00	30.80	34.00
16	30.00	32.80	36.00

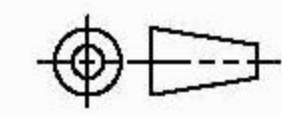
NO.	DESCRIPTION	QTY	MATERIAL	PLATING/COLOR
C	Solder Tab	2	Phosphor Bronze	Tin-plated
B	Contacts	2~16	Brass	Tin-plated
A	Insulator	1	LCP (UL94V-0)	Beige

<b>Tolerance</b>
X.X ±0.30
X.XX ±0.20
X.XXX ±0.10
Angle ±3.0°

L&X 深圳市连欣科技有限公司  
 Model Name: 2.00mmPITCH 90° WAFER-SMT TYPE  
 Model No: XDWF-0221-\*P

Drawn:  
 Checked:  
 Approved: 邵敬标  
 DWG NO. LCD/GCCP-0050

UNIT: mm



SCALE: FULL

REVISION: B/0