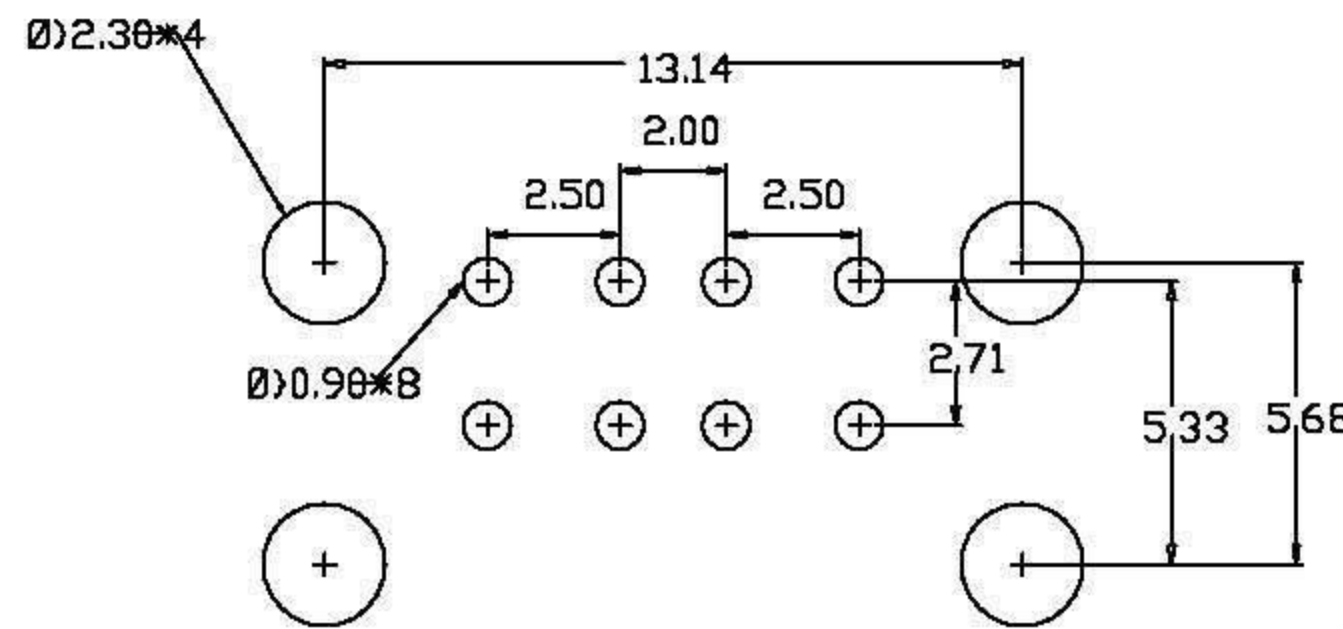
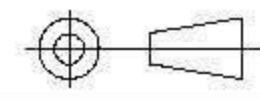


NOTE:
 1.MATERIAL:
 a.HOUSING:PBT GLASS FIBRE PBT
 b.CONTACT:PHOSPHOR BRONZE T=0.25mm
 (SURFACE PLATING: Au1u" + Sn100u" + Ni60u")
 c.SHEEL:BRASS T=0.30mm
 (SURFACE PLATING: Ni100u" ~ 120u")
 2.ELECTRIC:
 a.CONTACT RESISTANCE: 30 MILLIOHMS MAX
 b.INSULATION RESISTANCE: 1000 MEGA OHMS MIN
 c.DIELECTNIC VOLTAGE: 500V AC ONE SEC LEVEL
 d.OPERATING TEMPERATURE: -55??- 105??



RECOMMENDED P.C.B PATTBRN LAY OUT

L&X 深圳市连欣科技有限公司

UNLESS OTHERWISE SPECIFIED TOLERANCE .X ±0.20 .XX ±0.15 .XXX ±0.10 ANG. ±2°	DRAWN H.Q.huocy	 UNIT MM	TITLE USB AF 双层半包有后盖平弹	
	APPROVED		SCALE 3/1	PART NO. XDUF-0421-09
	DATE 2009.06.13	SIZE A4	DOC. NO. XD**042109	