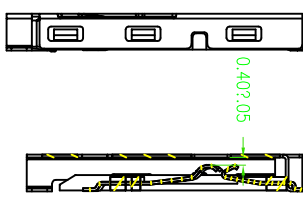
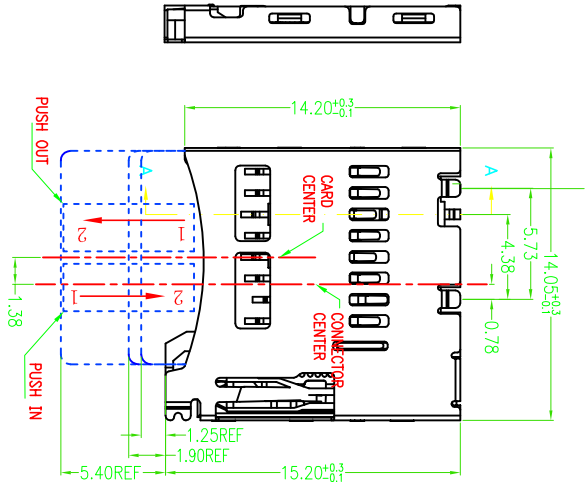
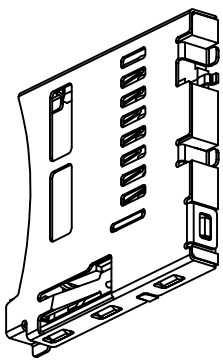
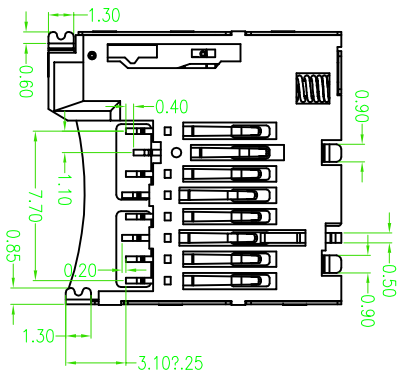


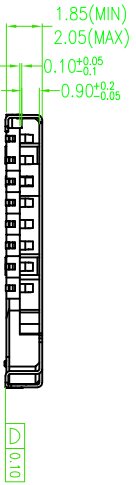
REV	DESCRIPTION	APPD	DATE



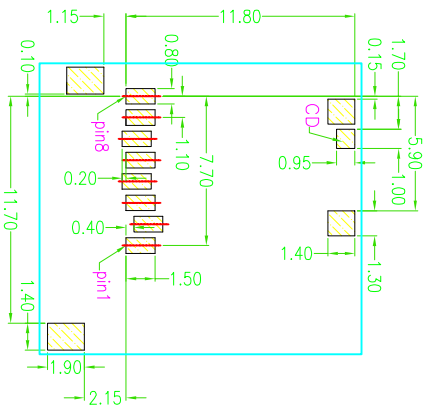
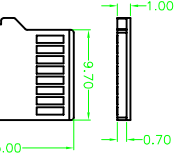
SECTION A-A



- NOTES:
- 1.MATERIAL:  
HOUSING: HIGH TEMPERATURE THERMOPLASTIC  
UJ94V\_0,COLOR:BLACK.
  - 2.PLATING:  
CONTACT AREA: GOLD OVER NICKEL.  
SOLDER AREA: TIN OVER NICKEL.  
UNDERPLATE: NICKEL.  
3.MULTIMEDIA CARD COMPATIBLE



PIN NO.	NAME	TYPE	DESCRIPTION
1	DATE2	I/O/PP	DATE LINE(BIT2)
2	CD/DAT3	I/O/PP	CARD DETECT DATE LIN(BIT3)
3	CMD	PP	COMMAND RESPONSE
4	VDD	S	SUPPLY VOLTAGE
5	CLX	I	CLOCK
6	VSS	S	SUPPLY VOLTAGE GROUND
7	DAT0	I/O/PP	DATE LINE(BIT0)
8	DAT1	I/O/PP	DATE LINE(DIT1)



RECOMMENDED P.C.B. HOLE LAYOUT  
COMPONENT SIDE VIEW(TOLERANCE: +/-0.05)

PIN NO.	NAME	TYPE	DESCRIPTION
1	DATE2	I/O/PP	DATE LINE(BIT2)
2	CD/DAT3	I/O/PP	CARD DETECT DATE LIN(BIT3)
3	CMD	PP	COMMAND RESPONSE
4	VDD	S	SUPPLY VOLTAGE
5	CLX	I	CLOCK
6	VSS	S	SUPPLY VOLTAGE GROUND
7	DAT0	I/O/PP	DATE LINE(BIT0)
8	DAT1	I/O/PP	DATE LINE(DIT1)

PART NO. XDTP-1001-069	MATERIAL:
MODEL NO.:	FINSH:
UNIT: MM	SIZE: A4
TOLERANCES: X.X=±0.35 X.XX=±0.25 X.XXX=±0.15	GENERAL ANGLE: X.X=±0° X.XX=±7.0°

DR: 黄 0416'10	TITLE: T-FLASH内焊 PUSH C Type
CHK:	DWG NO: TP-100069
APP:	SCALE: 1:1
	SHEET: 1 OF 2
	REV: c/1

深圳市達欣科技有限公司

