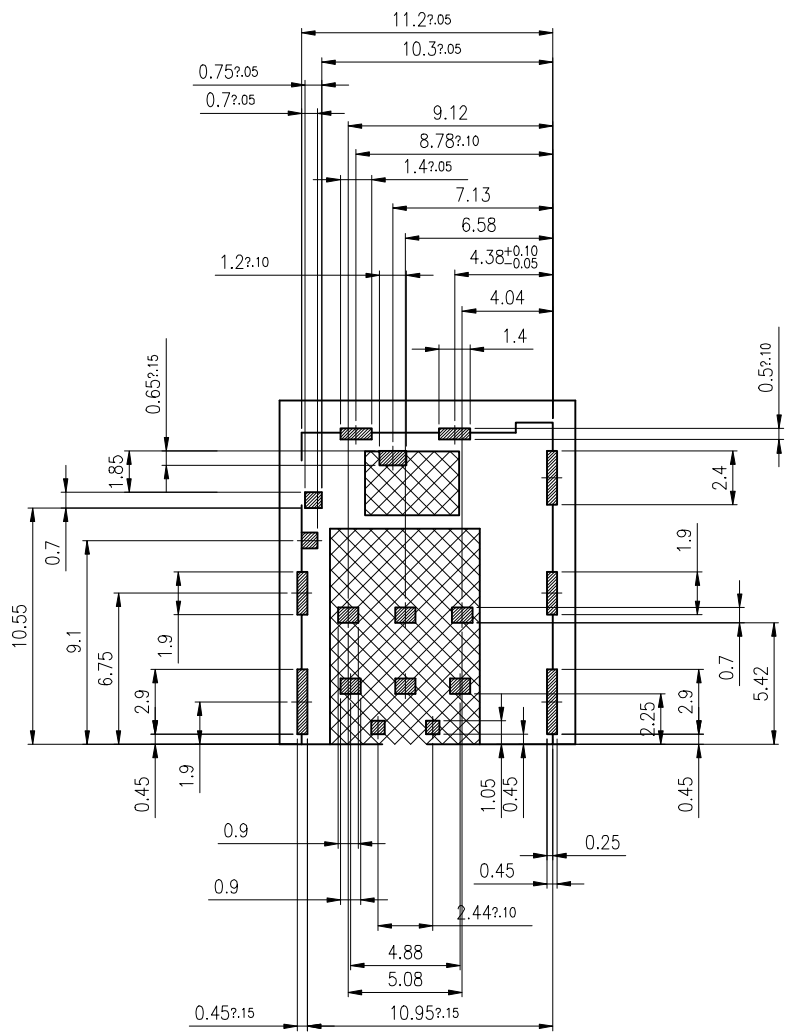
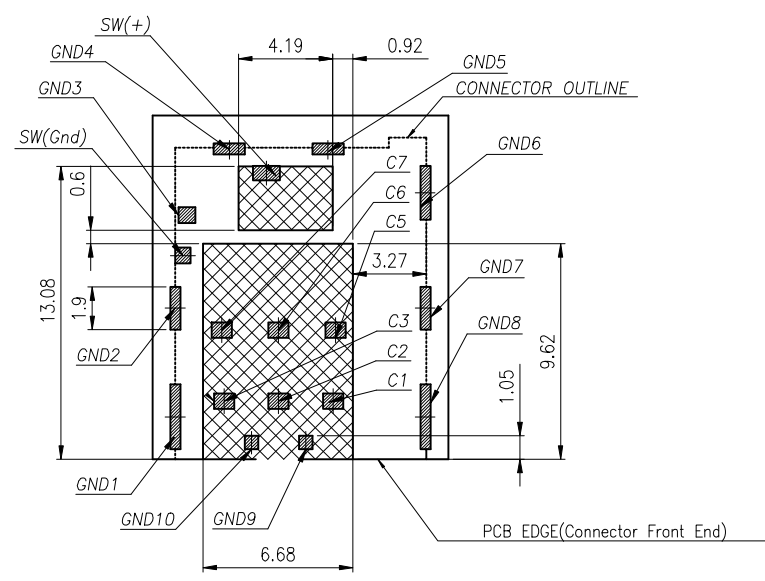




RoHS



RECOMMENDED PCB LAYOUT TOP VIEW (TOLERANCE:±0.05)  
RECOMMENDED MATAL MASK T=0.12MM

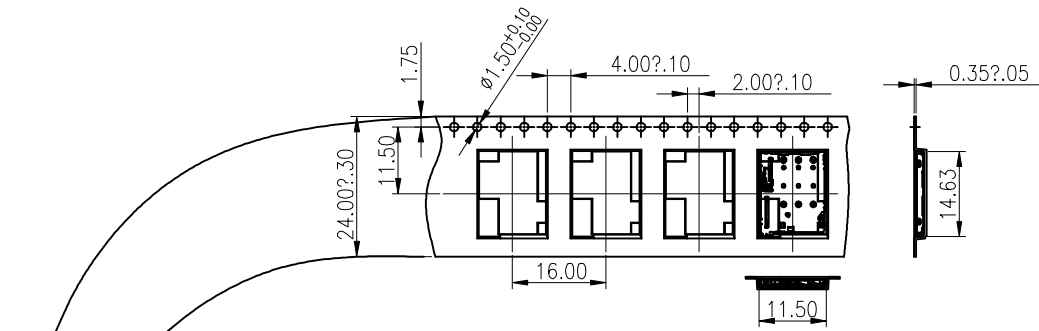


NO PATTERN AND VIA HOLE IN HTIS AREA  
 SMT SOLDER AREA

MILLIMETERS	INCH	UNITS	深圳市连欣科技有限公司	
X° ± 2°	X° ± 2°	MM	DWG NO.: LXSM-102322824-00 TITLE: NAND SIM 6PIN HL 25MM P/P客户图	
.X ± 0.25	.XX ± 0.012	MAT'L		
.XX ± 0.20	.XXX ± 0.008	SEE NOTES	PART NUMBER: XDSM-1023-2824	
.XXX ± 0.10	.XXXX ± 0.004	FINISH		
THESE DRAWINGS AND SPECIFICATIONS ARE THE PROPERTY OF Dong Guan Jin Bi Lai Electronic Co.,Ltd COPIED OR USED IN ANY MANNER WITHOUT THE PRIOR WRITTEN CONSENT OF Dong Guan Jin Bi Lai Electronic Co.,Ltd			APPD:	SCALE: 1:1
			QTY	
DR:			CHKD:	REV: X2
			SEE NOTES	

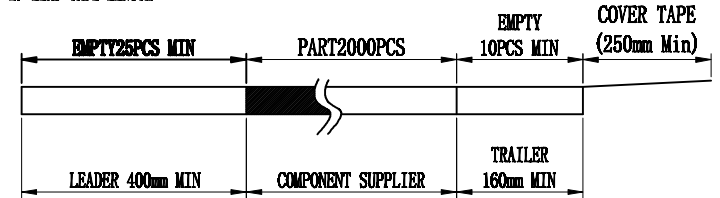
RoHS

USER DIRECTION OF UNREELING →



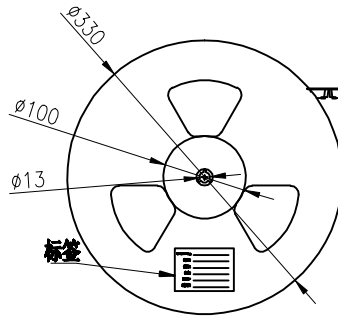
NOTES

1. NUMBER OF CONNECTORS: 2000PCS/REEL
2. LEAD TAPE LENGTH

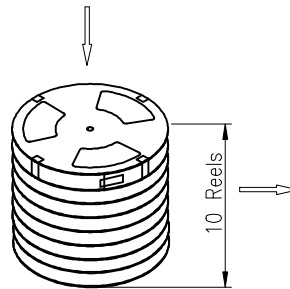
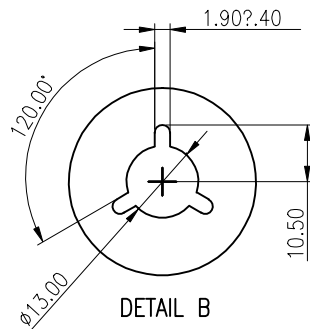
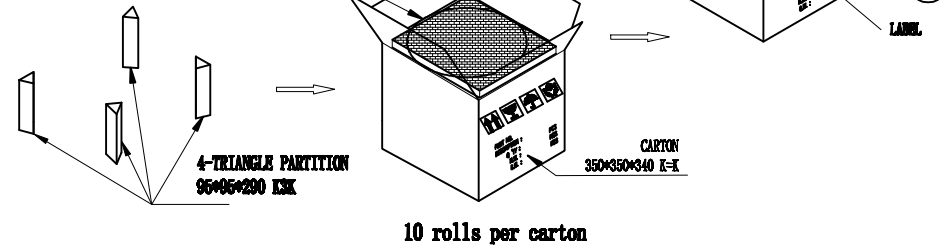


3. QUANTITY: 20000PCS/CARTON

COVER TAPE PEELING ANGLE: 165°~180°  
PEELING FORCE: 20~130g  
CARRIER TAPE



Each top of the bottom of the carton is protected by a piece of pearl cotton



MILLIMETERS	INCH	UNITS	MM	<b>深圳市连欣科技有限公司</b>		
X. <sup>o</sup> ± 2'	X. <sup>o</sup> ± 2'	MAT'L		<b>DWG NO.</b>		<b>TITLE:</b>
.X ± 0.30	.XX ± 0.012	SEE NOTES		<b>LXSM-102322824-00</b>		<b>NANO SIM 6PIN HL 25MM P/P客户图</b>
.XX ± 0.20	.XXX ± 0.008	FINISH		APPD:		<b>PART NUMBER:</b>
.XXX ± 0.10	.XXXX ± 0.004	SEE NOTES		CHKD:		<b>XDSM-1023-2824</b>
<small>THESE DRAWINGS AND SPECIFICATIONS ARE THE PROPERTY OF Dong Guan Jin Bi Lai Electronic Co.,Ltd. COPIED OR USED IN ANY MANNER WITHOUT THE PRIOR WRITTEN CONSENT OF Dong Guan Jin Bi Lai Electronic Co.,Ltd</small>			QTY	DR:	SCALE	SHEET
			SEE NOTES		1:1	3/3
						REV.
						X2