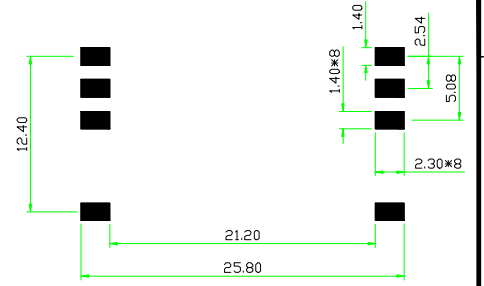
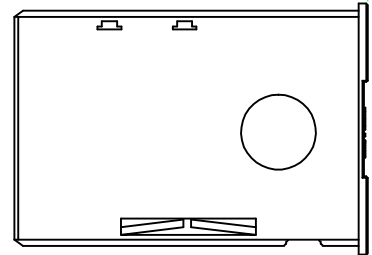
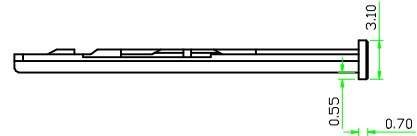
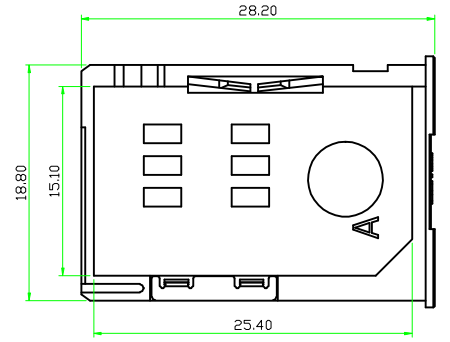
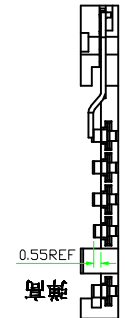
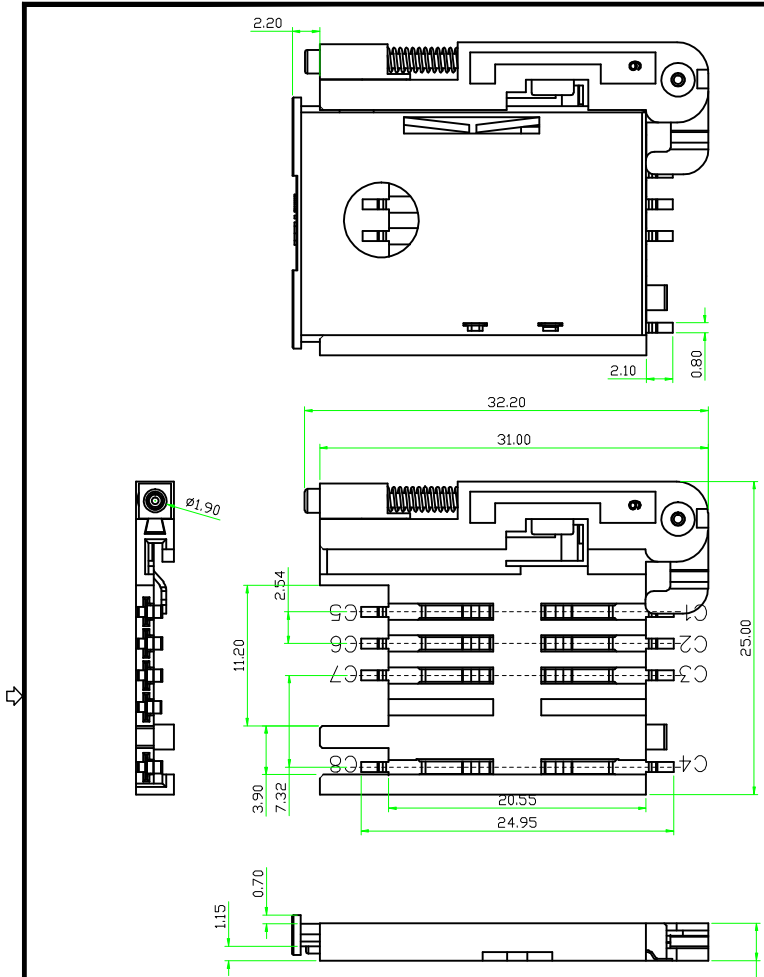


* ROHS COMPLIANT



PCB AREA
RECOMMENDED PCB LAYOUT
GENERAL TOLERANCE ±0.05

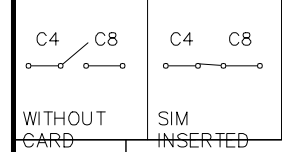
Specification

MATERIAL:
 Insulator: High Temperature Thermoplastic, UL 94V-0
 (塑胶: 黑色 CP, 防火等级 UL 94V-0)
 Contact: Copper Alloy (铜) T=0.15mm
 端子卡托: PA/PBT

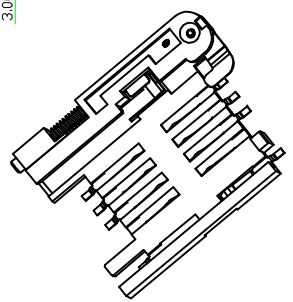
PLATING:
 Contact: Plated 50u'' Ni Overall Contact Au 3-10u, pad TIN
 (端子: 镀高50u, 接触点3-10u, 焊点镀50u最少)

Electrical:
 Current Rating :2Amps,max(额定电流:2A最大)
 Voltage Rating :5V AC/DC(额定电压:5V AC/DC)
 Ambient Temperature Range :-40° C~+85° C(工作温度: -40度到+85度)
 Storage Temperature Range :-40° C~+85° C(工作环境: -40度到+85度)
 Ambient Humidity Range :85% R.H. Max. (上置效果: 85%以上)
 Contact Resistance:100mΩmax. (端子接触电阻: 100m 最大)
 Insulation Resistance:1000MΩmin./500VDC(绝缘阻抗: 1000兆欧最小)
 产品耐温温度: 200度
 Mating Cycles:5000In Insertions (寿命: 5000次)

| PIN NO. | PIN NAME |
|---------|-------------------------|
| C1 | Supply Voltage Vcc |
| C2 | Reset (RST) |
| C3 | Clock (CLK) |
| C4 | N/A |
| C5 | Ground |
| C6 | Programming Voltage Vpp |
| C7 | I/O |
| C8 | N/A |



| REVISION NO. | ECR NO. | DESCRIPTION | MARK | DATE |
|--------------|---------|-------------|------|------|
| 1 | | | | |
| 2 | | | | |



连欣科技
Lian Xin Technology

深圳市连欣科技有限公司

| | | | |
|---|--------------------------------------|-------------------|---------------------|
| DIMENSIONS UNIT: mm UNLESS OTHERWISE SPECIFIABLE DIMENSION TOLERANCE X.X: ± 0.38 X.XX: ± 0.25 X.XXX: ± 0.10 ANGULAR: ± 1° | PRODUCT NAME : Sim 3.0H 抽拉式带卡套 无柱 | DRAWING: ANDY | DATE: 2016/05/10 |
| | PRODUCT NO. : XDSM-0830-0024 | CHECK: AG | DATE: 2016/05/11 |
| | DRAWING NO. : SIM-0024 | APPROVED: JEFF | DATE: 2016/05/11 |
| | | SCALE: NA | DWG ID: P D |
| | | PAGE: 1 of 2 | |