

Specification

MATERIAL:

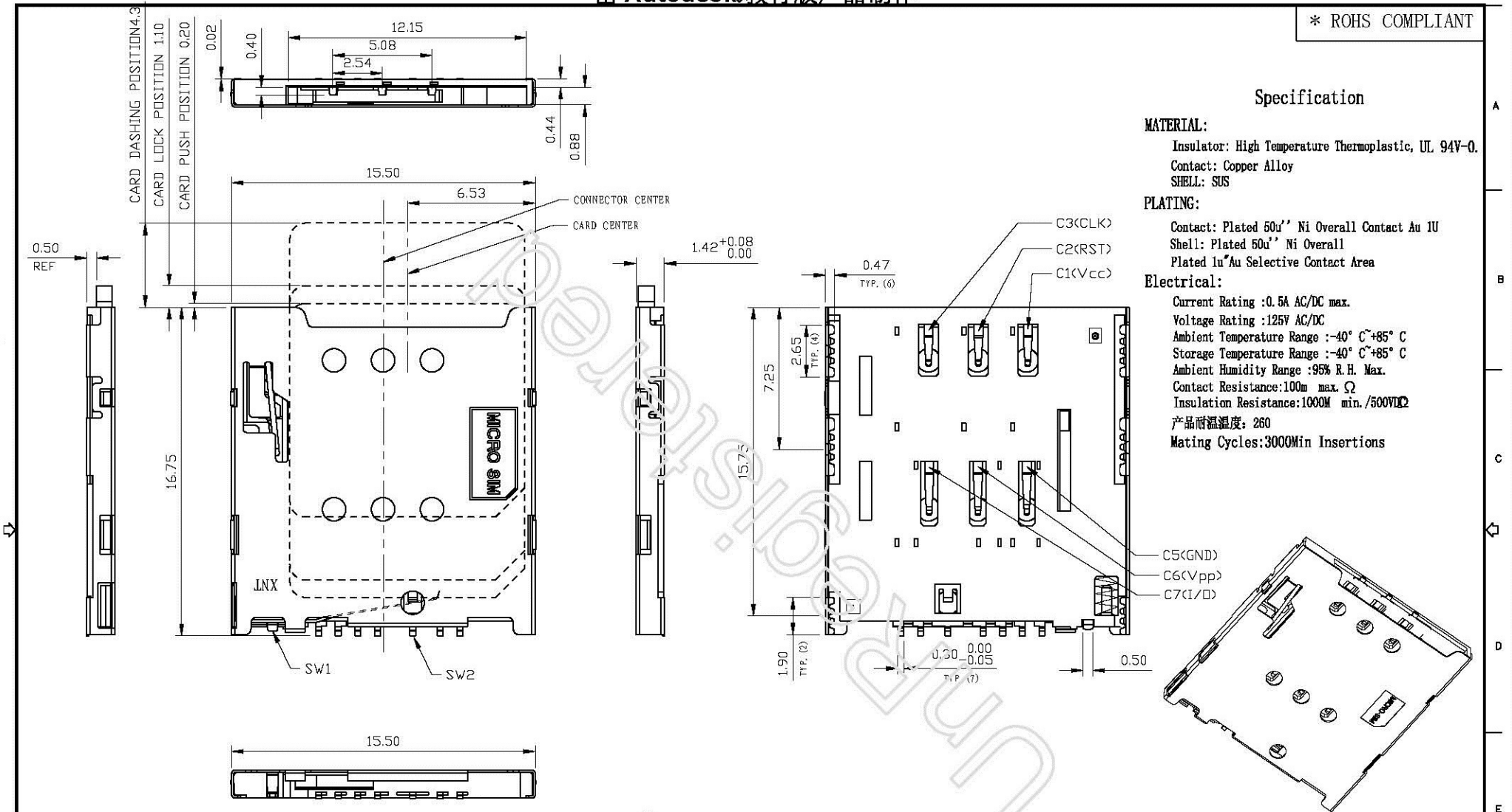
Insulator: High Temperature Thermoplastic, UL 94V-0.
Contact: Copper Alloy
SHELL: SUS

PLATING:

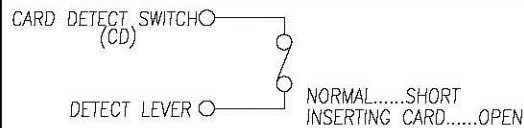
Contact: Plated 50μ' Ni Overall Contact Au 1U
Shell: Plated 50μ' Ni Overall
Plated In²Au Selective Contact Area

Electrical:

Current Rating :0.5A AC/DC max.
Voltage Rating :125V AC/DC
Ambient Temperature Range :-40° C~+85° C
Storage Temperature Range :-40° C~+85° C
Ambient Humidity Range :95% R.H. Max.
Contact Resistance:100m max. Ω
Insulation Resistance:1000M min./500VDC
产品耐温温度: 260
Mating Cycles:3000Min Insertions



CRICUIT DIAGRAM FOR CARD DETECT SWITCH



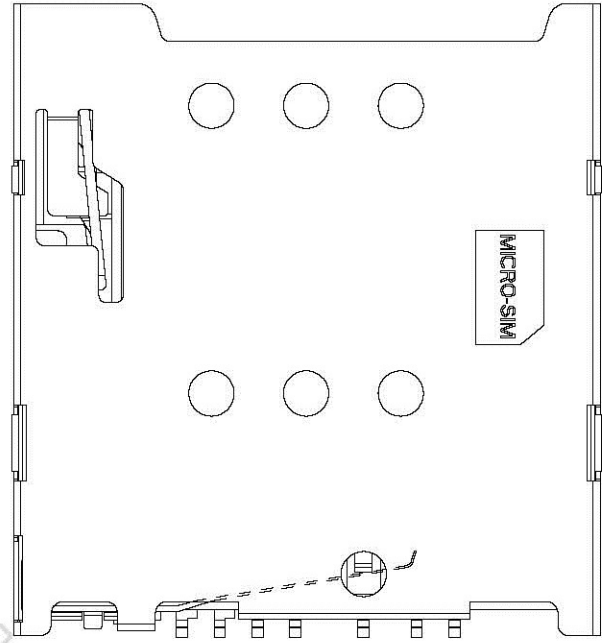
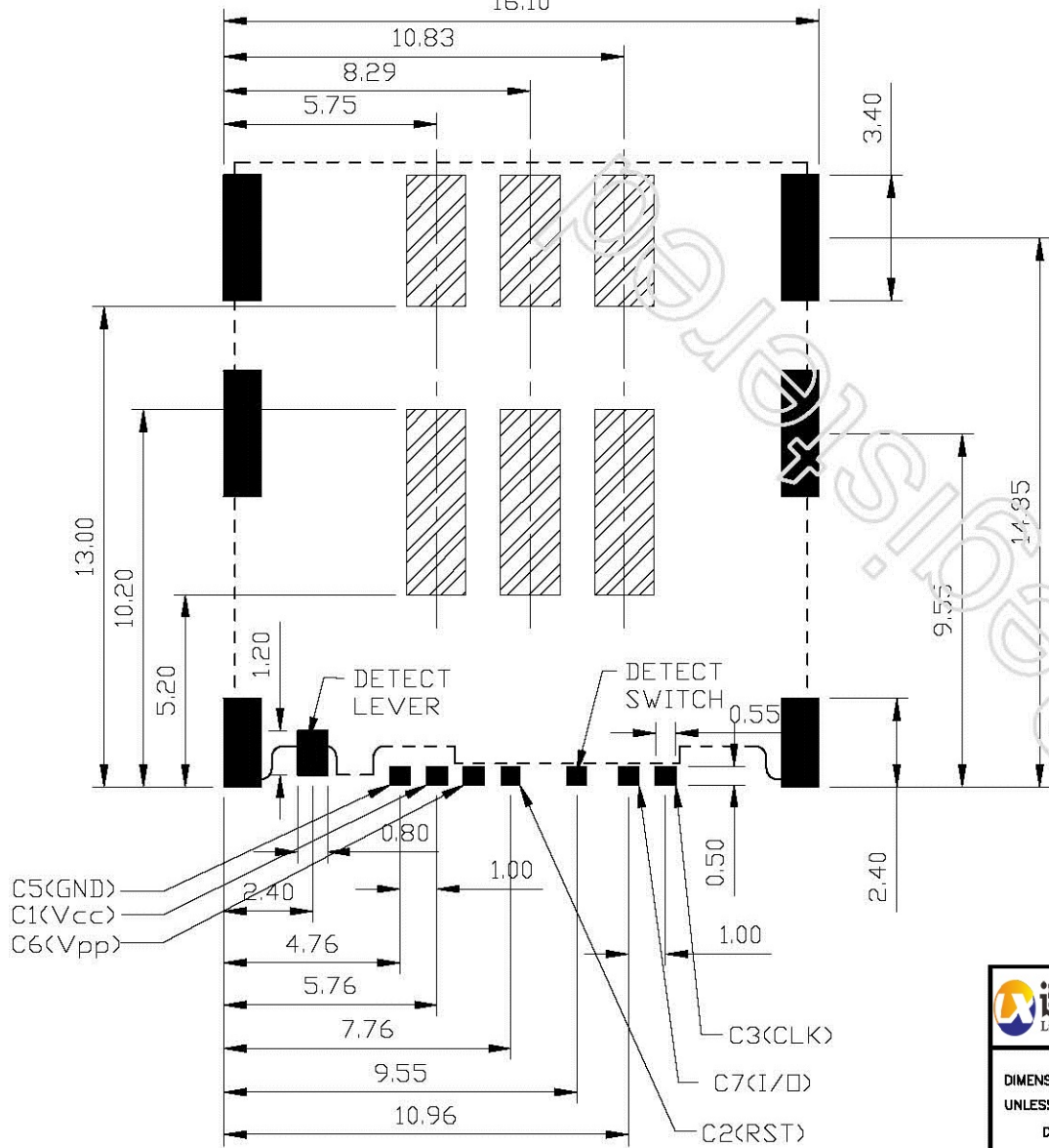
深圳市连欣科技有限公司

DIMENSIONS INT: mm UNLESS OTHERWISE SPECIFIABLE DIMENSION TOLERANCE X.X: ± 0.38 X.XX: ± 0.25 X.XXX: ± 0.10 ANGULAR: ± 1°	PRODUCT NAME :	Micro-sim 1.42H 防呆型PUSH	DRAWING:	COCO	DATE:	2016/05/10			
	PRODUCT NO. :	XDSM-0638-0271	CHECK:	AG	DATE:	2016/05/11			
	DRAWING NO. :	0271AAAG06A	APPROVED:	JEFF	DATE:	2016/05/11			
			SCALE:	NA	DWG ID:	P D	REV.:	A	PAGE:


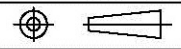
REVISION NO.	ECR NO.	DESCRIPTION	MARK	DATE
1				
2				

由 Autodesk 教育版产品制作

 PCB 线路禁止区域
 PCB AREA
RECOMMENDED PCB LAYOUT
 GENERAL TOLERANCE ± 0.05
 16.10



REVISION NO.	ECR NO.	DESCRIPTION	MARK	DATE
1				
2				

 连欣科技 Lian Xin Technology	深圳市连欣科技有限公司				
	DIMENSIONS INIT: mm UNLESS OTHERWISE SPECIFIABLE	PRODUCT NAME : Micro-sim 1.42II 防呆型PUSH	DRAWING: COCO	DATE: 2016/05/10	
	DIMENSION TOLERANCE X.X: ± 0.38 X.XX: ± 0.25 X.XXX: ± 0.10 ANGULAR: $\pm 1^\circ$	PRODUCT NO. : XDSM-0638-0271	CHECK: AG	DATE: 2016/05/11	
		DRAWING NO. : 0271AAAG06A	APPROVED: JEFF	DATE: 2016/05/11	
		SCALE: NA	DWG ID: P D	REV. : A	PAGE: 1 OF 2