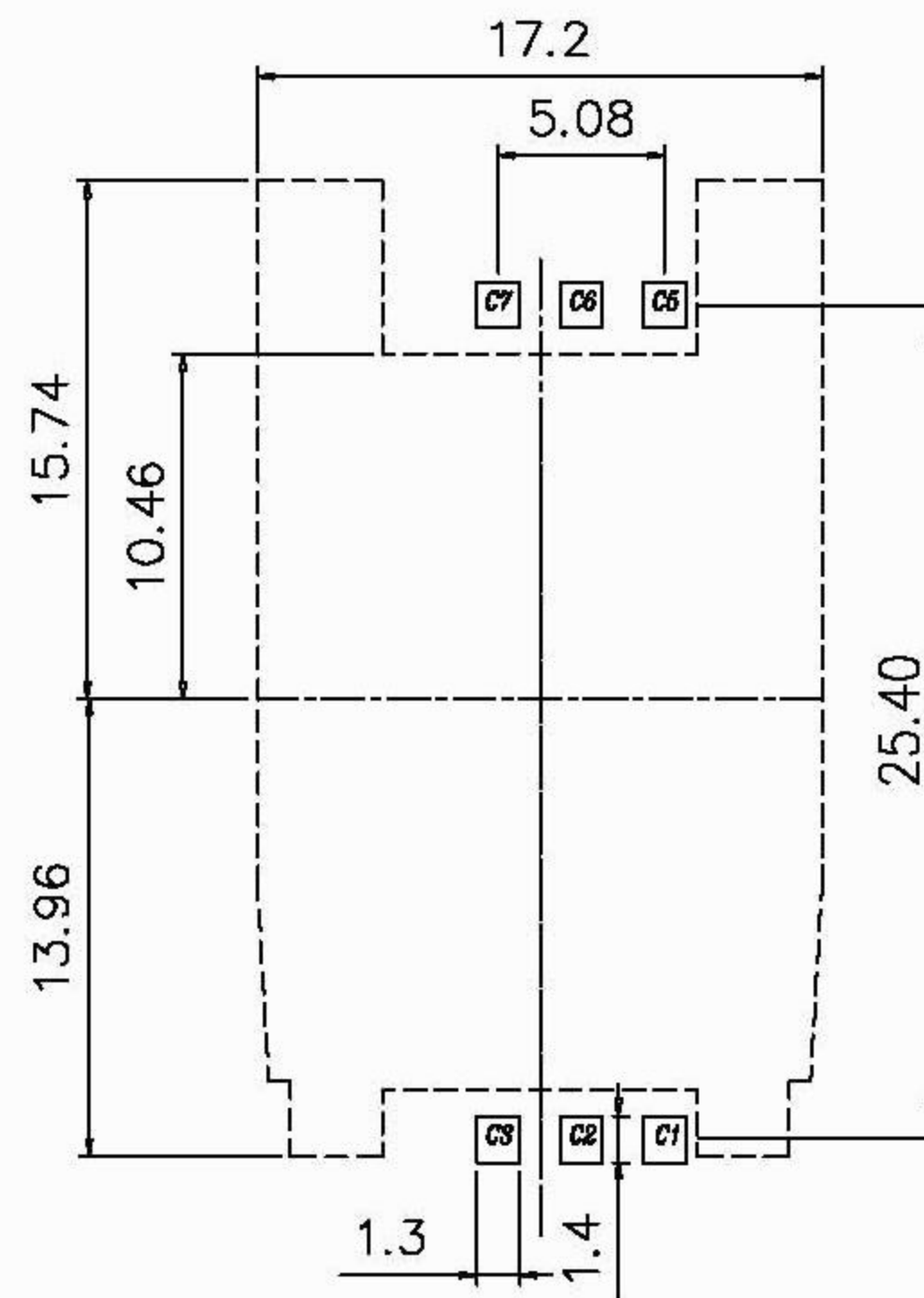
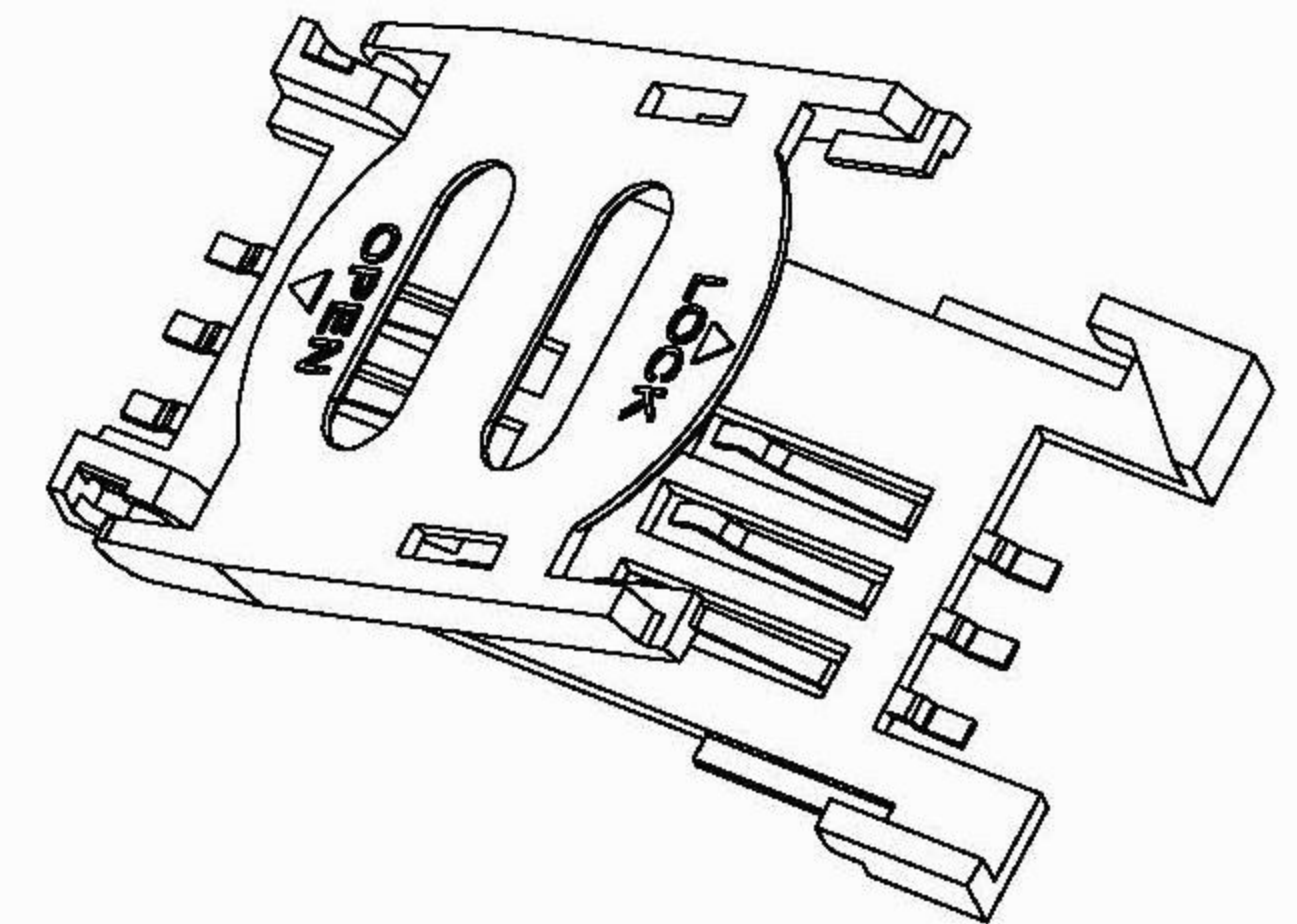
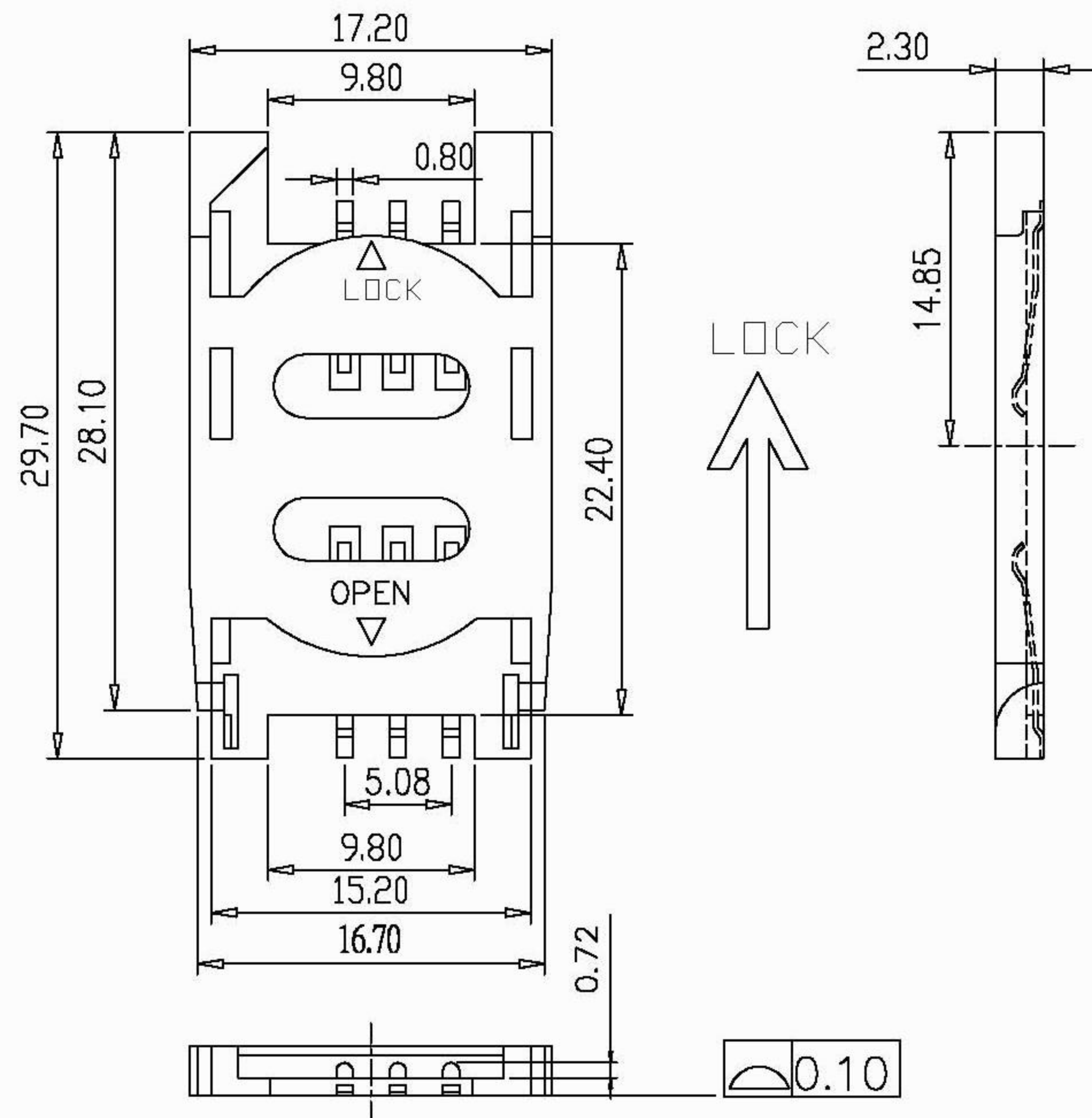


REV	DESCRIPTION	DATE
1	SEE EGN EN930721	2004/07/26



Notes:

Material: Phosphor Bronze(C5191-H)  
SIMM Card Connector,With  
Cover,Type 1,8 Pin

Physical:

Housing: LCP(NY 9T) UL 94V-0

Contact: Selective Gold Flash

Specifications:

Voltage Current rating: 1A. 50V AC

Insulation Resistance: 1000Mohm Min

Contact Withstanding Voltage:

AC 500V For 1 Minute

Temperteure Rating: -40° To +85°

PCB LAYOUT RECOMMENDED

TOLERANCE		MATERIAL	UNITS	SCALE	DATE
.X ±0.25	X' ± 2'		mm	1 / 1	20110922
.XX ±0.15	X'X' ± 1'	APPROVAL	CHECKED	DRAWN	PROJ.
.XXX ±0.10			zhangbin	zhangbin	

L&X 深圳市连欣科技有限公司

TEL:0755-33978030 FAX:0755-32937438

DRAWN NAME:

SIMM CARD  
6PIN SMT无柱

DWG NO.

JK0080628L26

PART NO.

XDSM-0626-0631