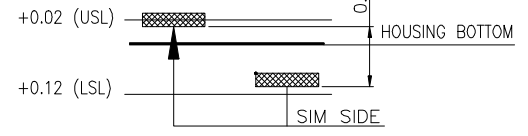
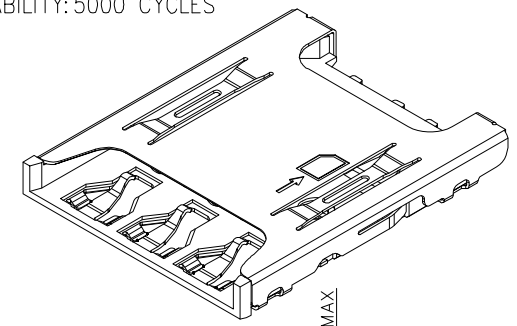


NOTES:

1. MATERIAL:
  - 1-1 HOUSING: THERMOPLASTIC, UL94 V-0 . COLOR;BLACK
  - 1-2 SHELL; STAINLESS STEEL
  - 1-3 CONTACT: COPPER ALLOY
2. FINISH:
  - 2-1 CONTACT: 1u" AU MIN. ON CONTACT AREA  
GOLD FLASH ON SOLDER AREA.  
50u" NI MIN. UNDERPLATING OVER ALL
  - 2-2 SHELL:GOLD FLASH ON SOLDER AREA
3. PRODUCT SPECIFICATIONS:
  - 3-1 VOLTAGE RATING: 30V
  - 3-2 WITHSTANDING VOLTAGE: AC500V R.M.S
  - 3-3 CURRENT RATING: 0.5A
  - 3-4 INSULATION RESISTANCE; 1000MEG.OHM MIN AT DC 500V
  - 3-5 CONTACT RESISTANCE: 100 MILL.OHM MAX
  - 3-6 OPERATION TEMPERATURE: -40° TO +80°
  - 3-7 DURABILITY: 5000 CYCLES

PIN ON	NAME
C1	VCC (SUPPLY VOLTAGE)
C2	RST (RESET SIGNAL)
C3	CLK (CLOCK SIGNAL)
CD	DETECT SWITCH
C5	GND
C6	VPP (VARIABLE SUPPLY BOLTAGE)
C7	I/O (DATE INPUT/OUTPUT)



COPLANARIYT(Signal pin & shell)

RECOMMENDED PCB LAYOUT  
GENERAL TOLERANCE: ±0.05

TOLERANCE		UNIT	MM					<b>深圳市连欣科技有限公司</b>			
GENERAL		MATERIAL									
X.	±0.30	FINISH		PART NO.		XDSM-0422-2194					
.X	±0.20	APPR.		DWG NO.		LXSM0135-022					
.XX	±0.10	CHK.		SIZE A4		SCALE 1:1 SHEET 10F1 REV. A					
.XXX	±0.05	DWG.		易国平 2017.07.16							
ANGLES											
X.	±2.0°										
.X	±1.0°										
.XX	±0.5°										

A	新版发行	易国平			
REV.	ECN NO.	MODIFICATION	DWG.	CHK.	APPR.