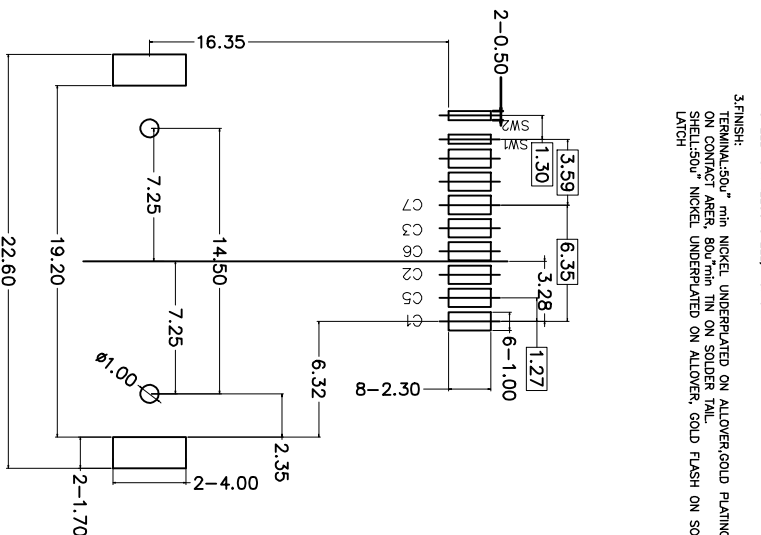
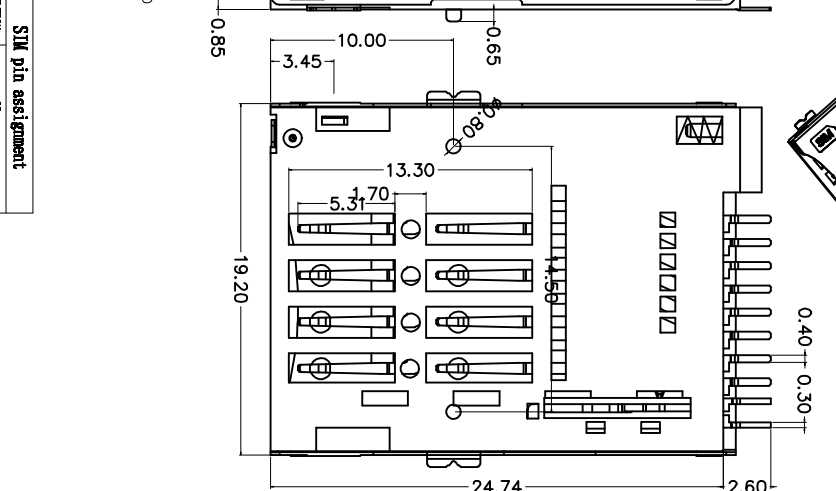
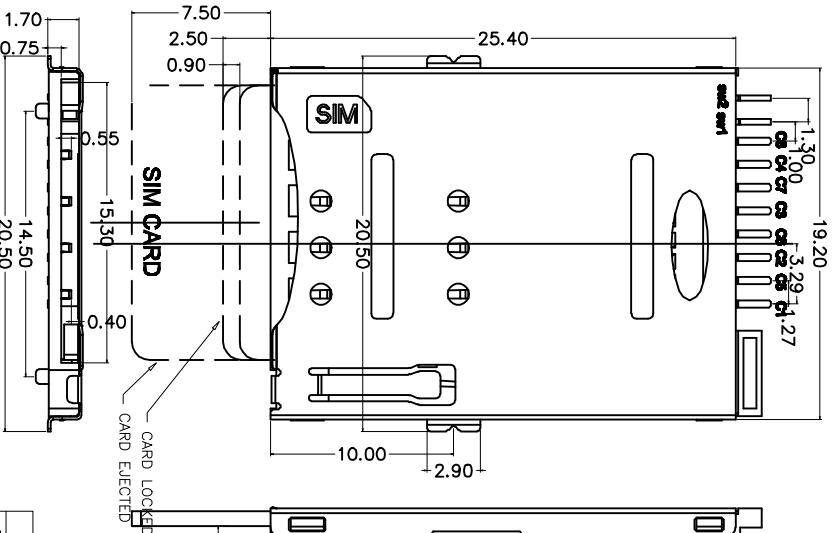
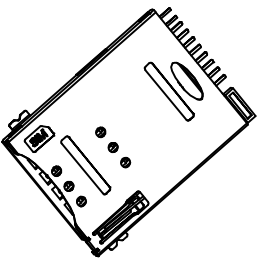
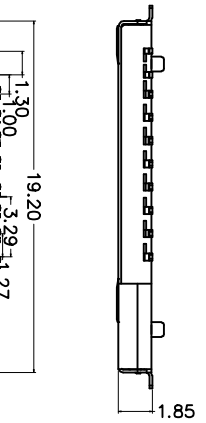




**\* 所有原材料, 生产制程, 电镀必须符合ROHS要求**



RECOMMENDED PCB LAYOUT

CIRCUIT:



WITHOUT SIM CARD

SIM CARD INSERTED

SIM pin assignment:

PIN#	Name
C1	VCC
C2	RST
C3	CLK
C4	Reserved
C5	GND
C6	VPP
C7	I/O
C8	Reserved



**深圳市连欣科技有限公司**

PRODUCT NAME: SIM PUSH 8P+2 SMT

PRODUCT NO.: XDSM-0081-011

DRAWING NO.: SIM0081MAAS10A

DRAWING: COCO

CHECK: JANY

APPROVED: JEFF

DATE: 2012/5/10

DATE: 2012/5/10

DATE: 2012/5/10

SCALE: 1:1

DWG ID: P.D

REV: A

PAGE: 1 of 1

SCALE: 1:1

DWG ID: P.D

REV: A

PAGE: 1 of 1

REVISION NO. 1

ECR NO.

DESCRIPTION

MARK

DATE

DIMENSIONS INT: mm  
UNLESS OTHERWISE SPECIFIABLE  
DIMENSION TOLERANCE  
X.X: ± 0.25  
X.XX: ± 0.10  
X.XXX: ± 0.05  
ANGULAR: ± 1°

SCALE: 1:1

DWG ID: P.D

REV: A

PAGE: 1 of 1

SCALE: 1:1

DWG ID: P.D

REV: A

PAGE: 1 of 1

SCALE: 1:1

DWG ID: P.D

REV: A

PAGE: 1 of 1

SCALE: 1:1

DWG ID: P.D

REV: A

PAGE: 1 of 1