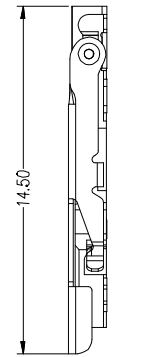
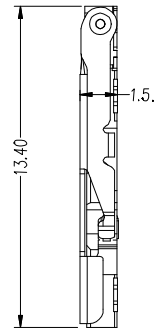
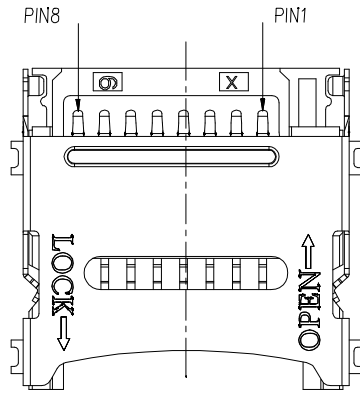
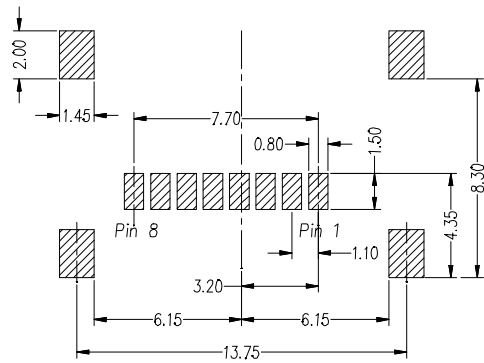
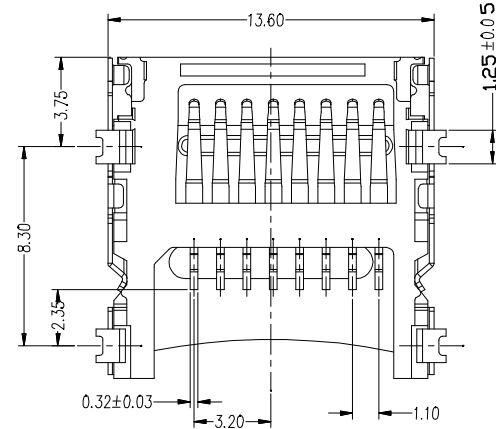


REV.	ECN NO	LOCATIONS	DESCRIPTION	DATE	REVISER	APPD
A						



SLIDE SHELL OPEN

SLIDE SHELL LOCK



RECOMMENDED PCB LAYOUT

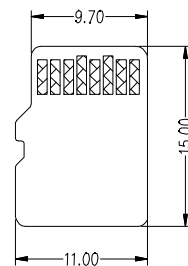
Note:

1.Specification:

- 1.1 Voltage Rating: 50V
- 1.2 Current rating: 1 A Max.
- 1.3 Dielectric withstanding voltage: 250 V(ac) for 1 min.
- 1.4 Contact resistance: 50 mΩ Max.
- 1.5 Insulation resistance: 1000 MΩ Min.
- 1.6 Durability: 3000 Cycles
- 1.7 Temperature range: -30°C~80°C

Memory Card Pin Assianment

Pin No.	NAME	TYPE
1	DAT 2	I/O/PP
2	CD/DAT 3	I/O/PP
3	CMD	PP
4	VCC	S
5	CLK	I
6	VCC(GND)	S
7	DAT0	I/O/PP
8	DAT1	I/O/PP



3	Shell	SUS301, T=0.20	None
2	Contact	C5191 T=0.15	50u*Min. Ni underplated all; 1~3u*Min. Au plated Contact Area; 100u*Min. Sn plated Soldertails
1	Housing	LCP S475; Black	UL 94V-0
No.	Name	Material	Finish
DWG NO:		TF08-B11001-011	MATERIAL: See note
MODEL NO:			FINSH: See note
UNIT:	mm	SIZE: A4	COLOR: See note
TOLERANCE UNSPECIFIED		DR:	TITLE:
.x	±0.10		TF拨盖式1.5H
.xx	±0.05	CHK:	
.xxx	±0.03	APP:	
ANG.	±1°		
		PART NO:	XDFP-08150-0123
		SCALE:	1:1
		SHEET:	1/1
		REV:	A

深圳市连欣科技有限公司

