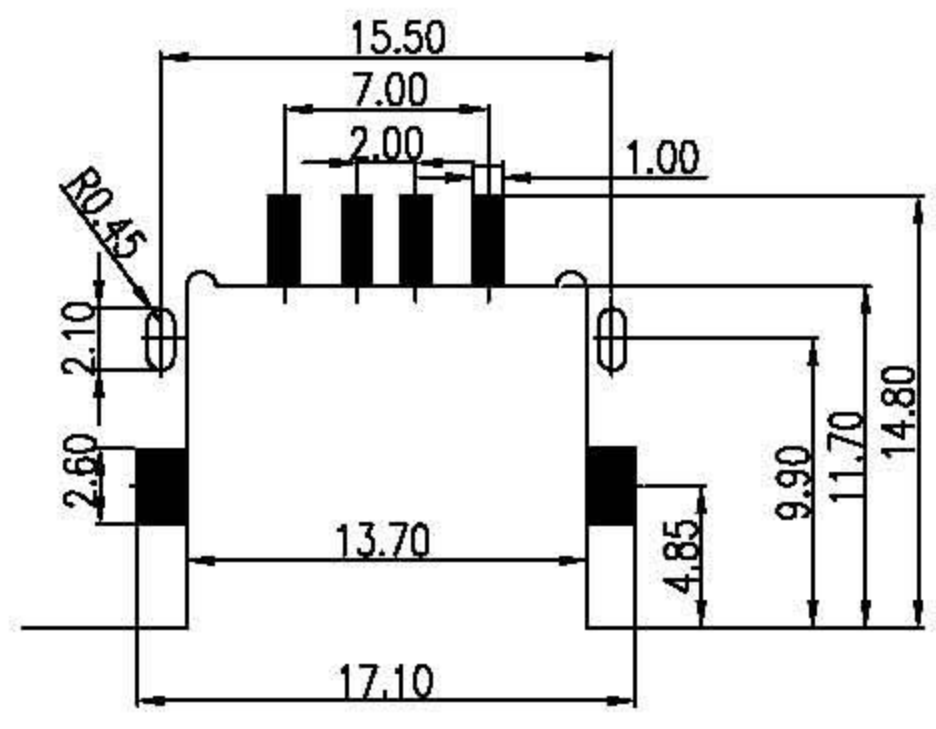
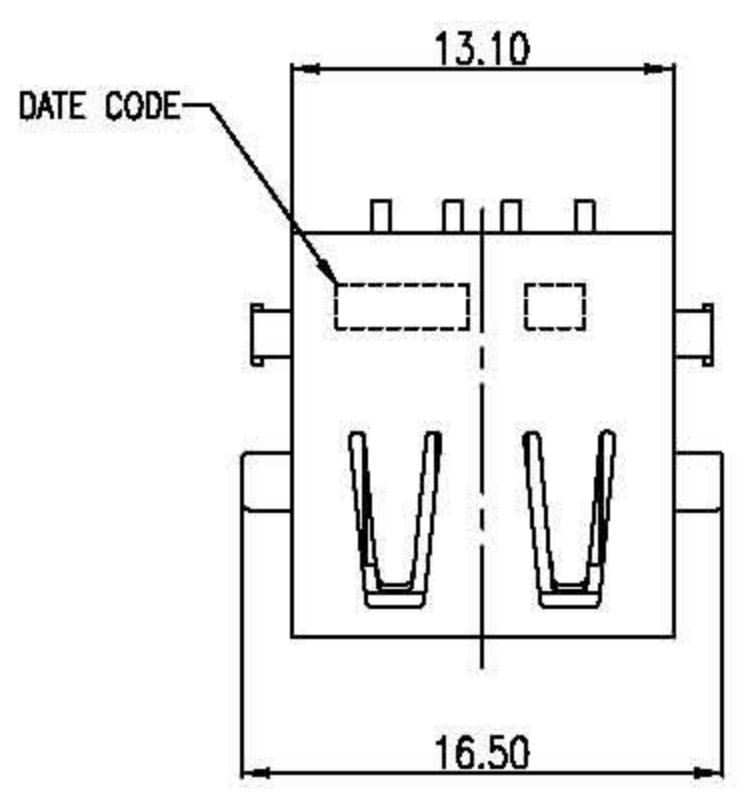
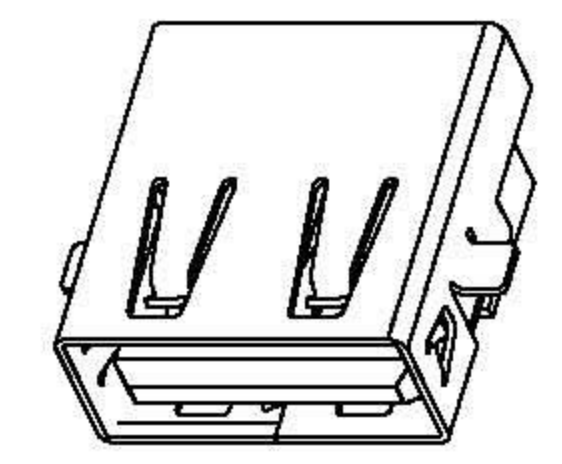
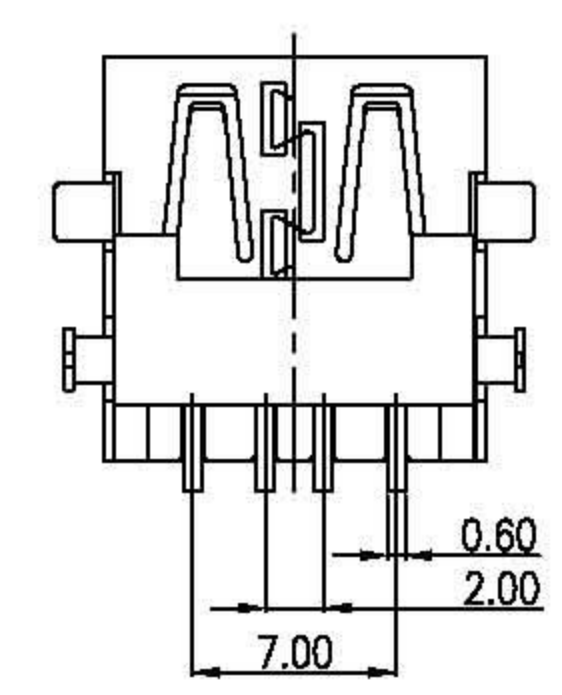
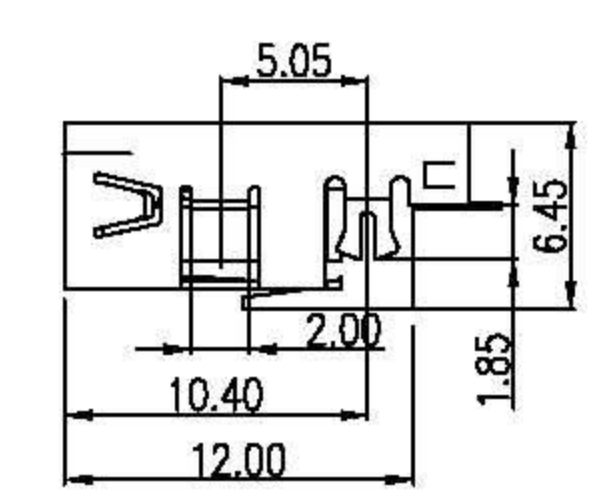
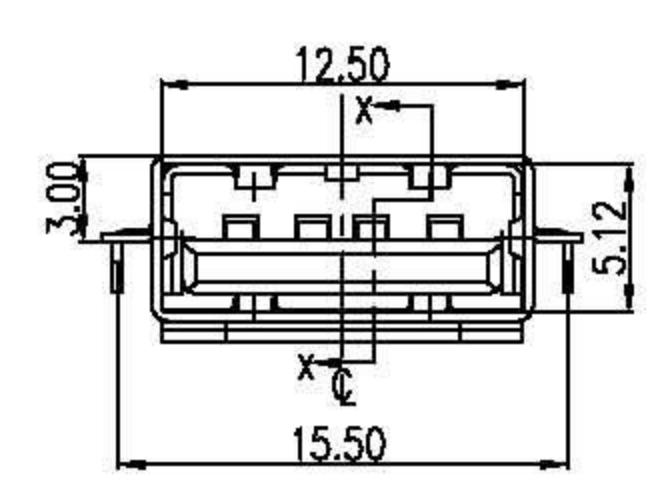
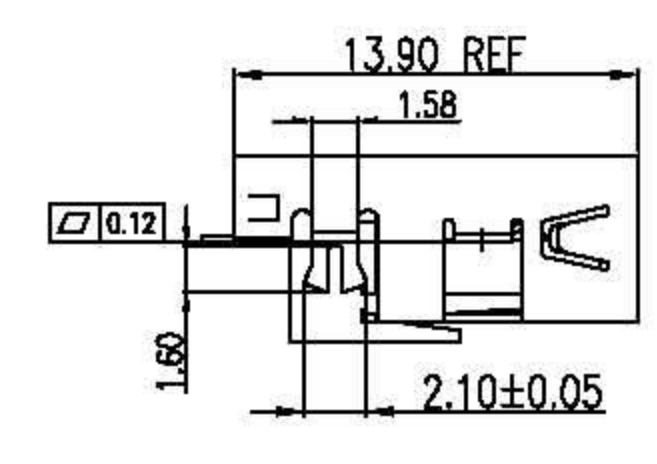


1 2 3 4 5 6 7 8 9 10 11

A B C D E F G H



P. C. B LAYOUT



REVISIONS				
REV.	ECN NO.	LOCATION	DESCRIPTION	DATE
A	N/A		INITIAL RELEASE	

SCALE	3:1	DESIGNER	LANG	04/25/11
REV	A	CHECKED	KING	04/25/11
SHEET	1/1	APPROVE	CARL	04/25/11

UNLESS OTHERWISE SPECIFIED. DIMENSIONS ARE IN mm		L&X 深圳市连欣科技有限公司	
TITLE:	USB AF 沉板3.0贴板式 直边	PART. NO.	LXUA0430-02505
DWG. NO.			

1 2 3 4 5 6 7 8 9 10 11