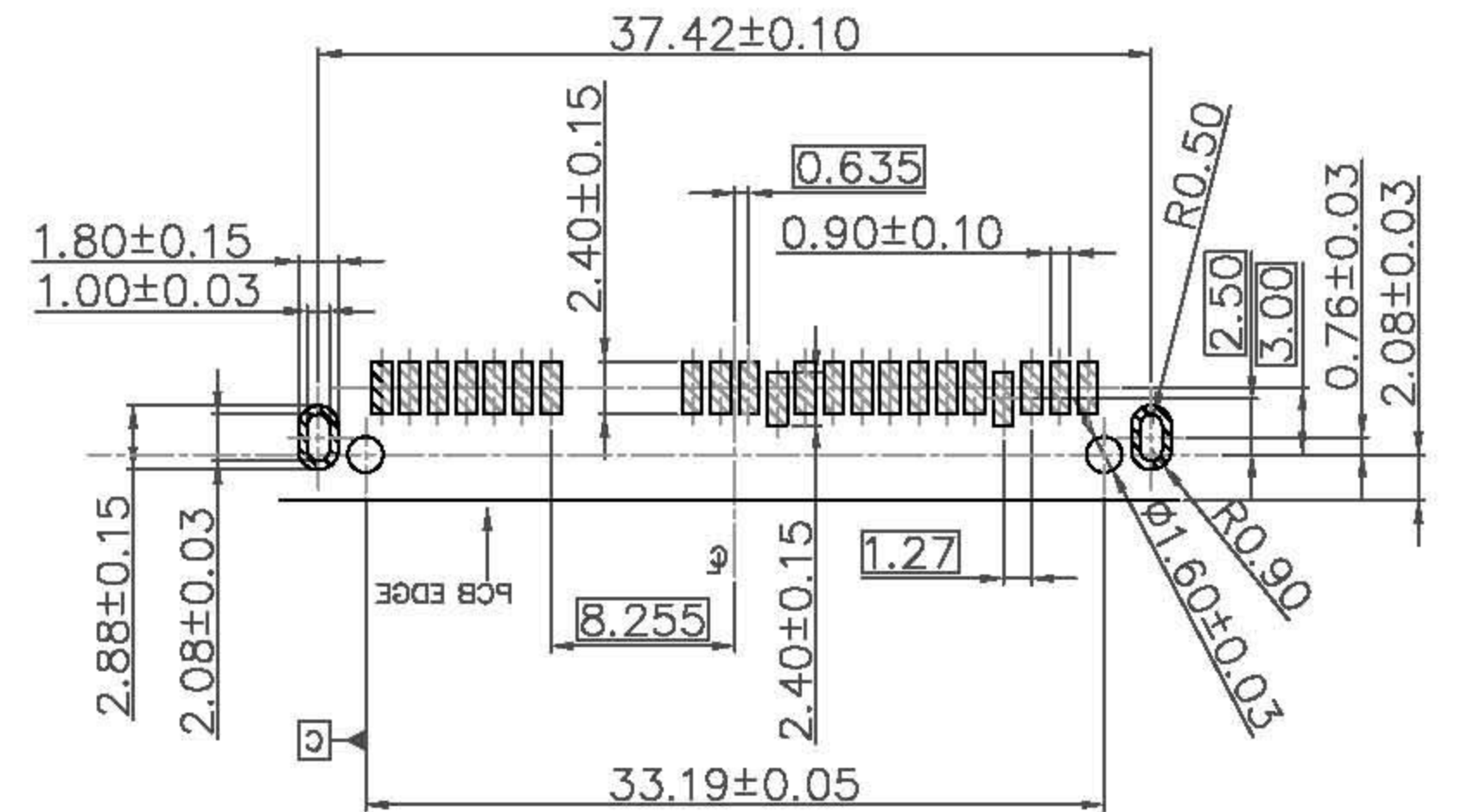
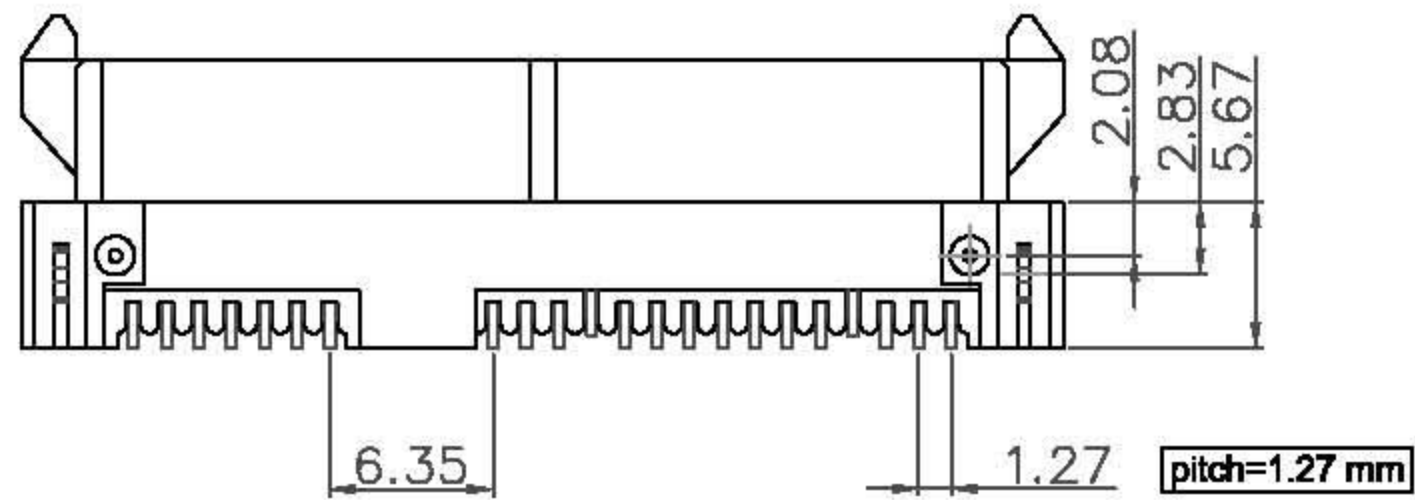
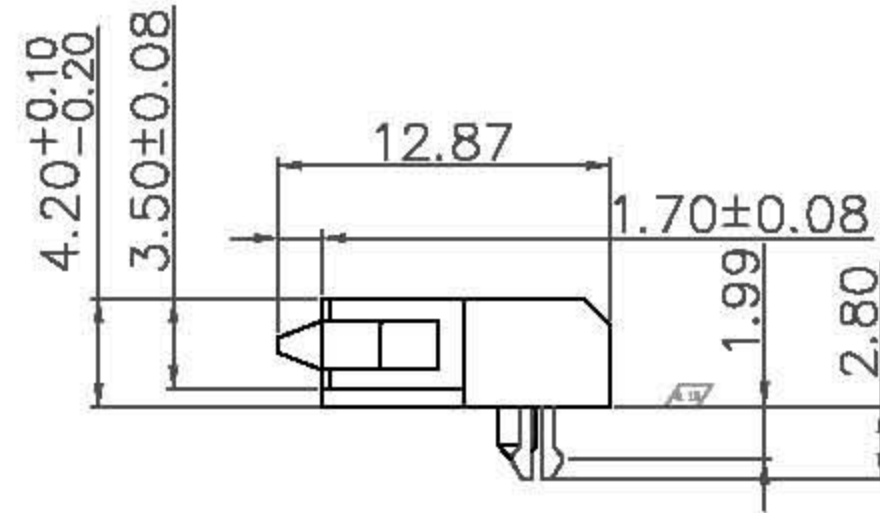
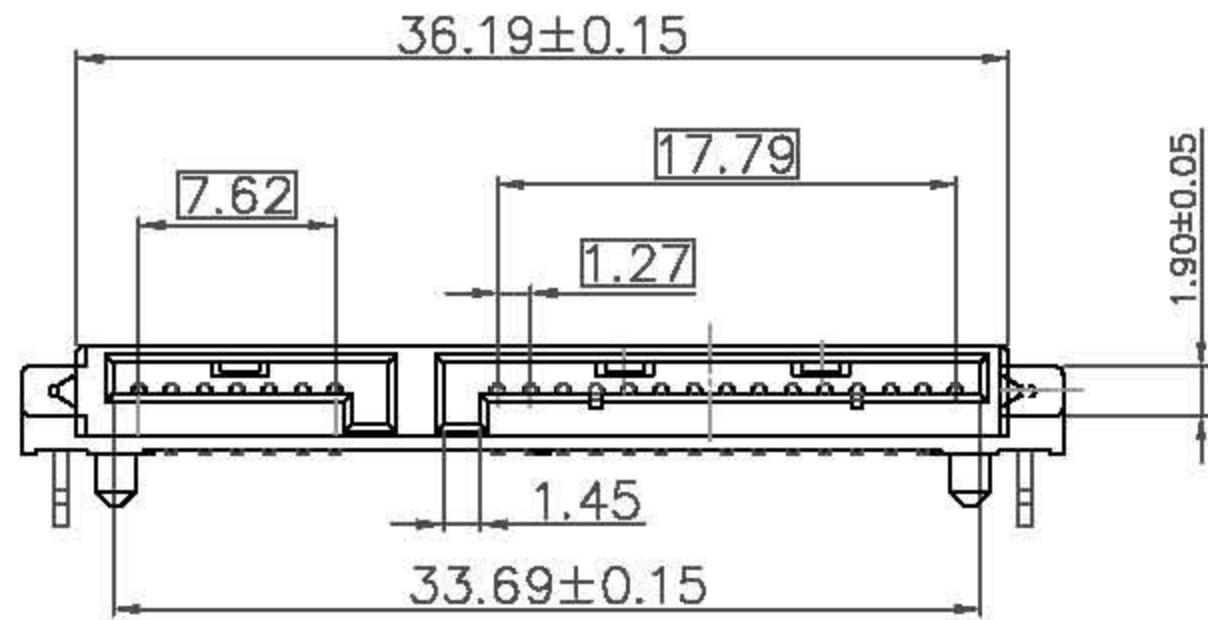
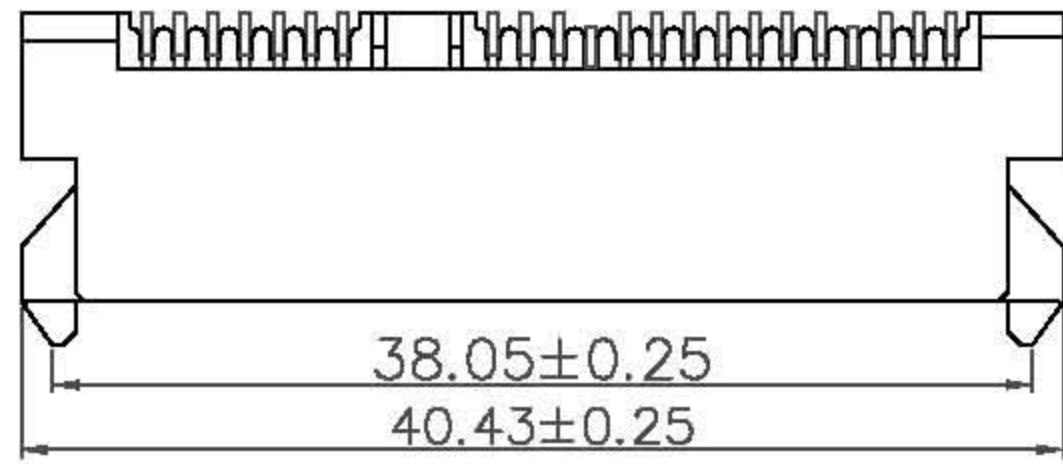


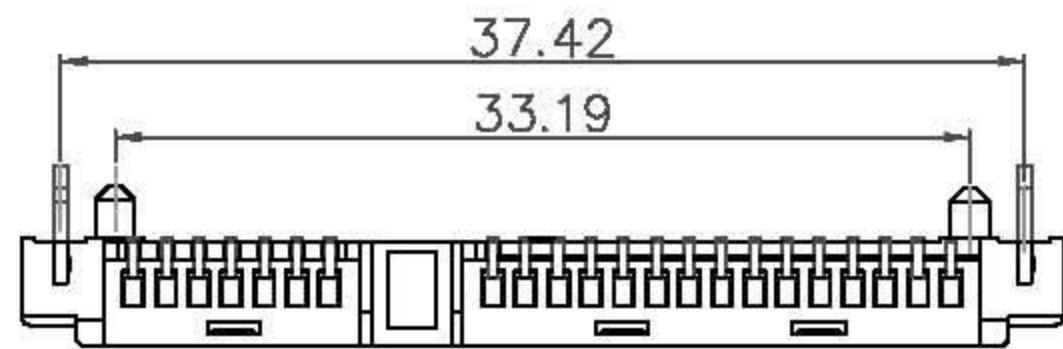
REV.	DESCRIPTION	DATE
A/1	应客户要求鱼叉外露加长0.5mm, (鱼叉原4.68mm改为5.18mm)	20130621



SPECIFICATION:
MATERIAL:
HOUSING: LCP E130i 30% G/F UL 94V-0
COLOR: BLACK
CONTACT: BRASS C5191 EH, T=0.25mm
PEG: BRASS C2680R H, T=0.30mm
FINISH:
CONTACT: 1u" GOLD/TIN PLATING ON CONTACT AREA
100u" MIN. TIN-LEAD PLATING ON SOLDER TAILS
50u" MIN. NICKEL UNDERPLATING OVERALL
PEG: 100u" MIN. TIN-LEAD PLATING ON SOLDER TAILS
50u" MIN. NICKEL UNDERPLATING OVERALL



RECOMMEND PCB LAYOUT (T=1.2)
PCB TOLERANCE: ±0.05



L&X 深圳市连欣科技有限公司

X. ±0.15 XX ±0.10 XX ±0.05 XXX ±0.010 X° ±5° X' ±1°	DRAWN BY : 宁夏	DATE : 20130621	PART NAME: SATA 7+15P 二合一母座 SMT H=4.2mm 板下型	
	CHECKED BY: 黄朝勇	DATE : 20130621	PART NO.	XUTS-2201-042
 UNIT: mm [inch]	APPROVAL BY: Welsent do	DATE : 20130621	MOLD NO.	
SCALE: 1:1	SIZE: A4		PRODUCT SPEC.	
			DRAW NO.	