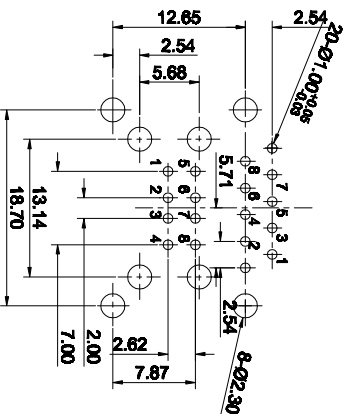
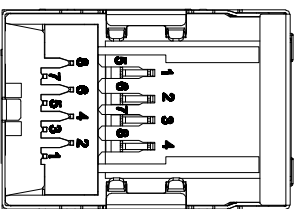
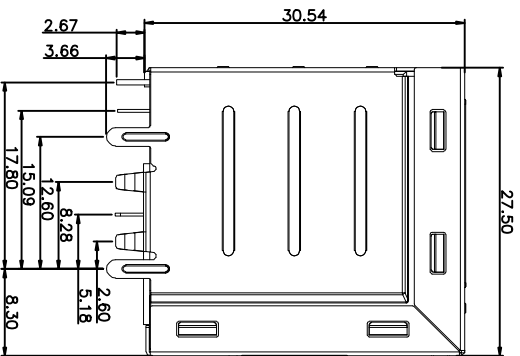
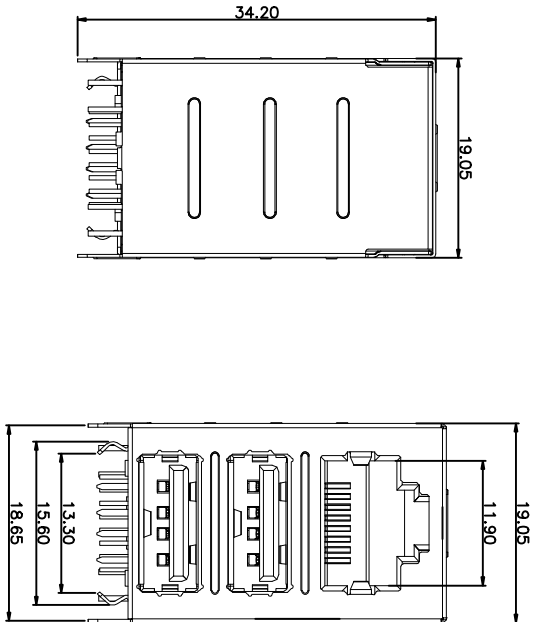


RoHS



RECOMMENDED P.C.B. PATTERN LAYOUT
COMPONENT SIDE SHOWN

REV.	ECN NO.	LOCATIONS	DESCRIPTION	DATE	DESIGN
A0			New Design	2014.10.20	Jerry

NOTE:
1.MATERIAL:
Housing: High temp. Thermo plastics,PBT ,BK,UL94V-0
Contact:Copper Alloy
Shell: Steel

2.Electrical performances:
Voltage Current Rating:1.5 AMP . 30V AC
Insulation Resistance:1000M Ω Min.
Contact Resistance:30 m Ω Max.
Dielectric Withstanding Voltage:500V AC

3. Temperature Range:-45 ℃ to +85 ℃

4.FINISH:
Contact:Tin Plating 100u" on solder tail area,
RJ45 Gold plating 1u" on contact area.
USB Gold plating 1u" on contact area,
30u" min Ni underplating over all.

深圳市连欣科技有限公司

UNIT: mm [inch]	DESIGN: Jerry LI	PART NAME:
TOLERANCE: X.X ±0.35	CHECKED: Jerry LI	RJ45+双层USB2.0 卧式插板DIP
X.XXX ±0.25	APPROVED: J Mou	PART NO. XDRJ-06556-A02
X.XXX ±0.15		DRAW NO. SLC-856-A02
Angle ±3.0°		SHEET NO. 01 OF 01
SCALE:1:1 SIZE:M		

由 Autodesk 教育版产品制作

由 Autodesk 教育版产品制作

由 Autodesk 教育版产品制作

由 Autodesk 教育版产品制作