

16-Channel Multicell Battery Monitor

FEATURES

- ▶ Measures up to 16 battery cells in series
- ▶ Maximum lifetime TME: ± 1.8 mV at 3.3 V per cell (-40°C to $+125^{\circ}\text{C}$)
- ▶ Simultaneous and continuous measurement of cell voltages
- ▶ Configurable integrated low-pass filtering
- ▶ Stackable architecture for high voltage battery packs
- ▶ Built-in isoSPI interface
 - ▶ 2 Mbps isolated serial communications
 - ▶ Uses a single twisted pair, up to 20 meters per segment
 - ▶ Low EMI susceptibility and emissions
 - ▶ Bidirectional for broken wire protection
 - ▶ Capacitor or transformer-coupled
- ▶ Hot plug tolerant without external protection
- ▶ Passive cell balancing up to 300 mA per channel with programmable PWM
- ▶ Up to 10 general-purpose analog inputs or digital I/O
 - ▶ Temperature or other sensor inputs
 - ▶ Configurable as an I²C or SPI master
- ▶ LPCM for cell and temperature monitoring in key-off state
- ▶ 4 μA sleep mode supply current
- ▶ Provisions for bus bars
- ▶ AEC-Q100 qualified for automotive applications
- ▶ ADBMS6830WFS models developed for use in ISO 26262 applications for ASIL D

APPLICATIONS

- ▶ Electric and hybrid electric vehicles
- ▶ Backup battery systems
- ▶ Grid energy storage

TYPICAL APPLICATION CIRCUIT

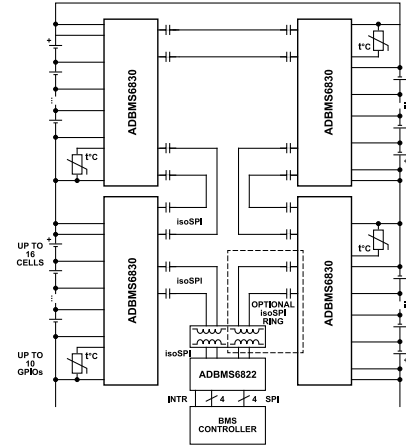


Figure 1. Typical Application Circuit

GENERAL DESCRIPTION

The ADBMS6830 is a multicell battery stack monitor that measures up to 16 series connected battery cells with a lifetime total measurement error (TME) of less than 2 mV over the full temperature range. The measurement input range of -2 V to $+5.5$ V makes the ADBMS6830 suitable for most battery chemistries and allows measurement of voltages across bus bars. Provisions are made for bypassing bus bars without dedicating any measurement channels.

All cells can be measured simultaneously and redundantly with two individual analog-to-digital converters (ADCs). The continuously operating ADCs with a high sampling rate of 4.096 MHz allow reduced external analog filtering and aliasing free measurement results. Higher noise reduction can be achieved by subsequent programmable infinite impulse response (IIR) filters.

Multiple ADBMS6830s can be connected in series, permitting simultaneous cell monitoring of long, high voltage battery strings. Each ADBMS6830 has an isolated serial port interface (isoSPI™) for high speed, RF immune, long distance communications. Multiple devices are connected in a daisy chain with one host processor connection. This daisy chain can be operated bidirectionally, ensuring communication integrity even in the event of a fault along the communication path.

The ADBMS6830 can be powered from the battery stack or an isolated supply. The ADBMS6830 includes passive balancing with individual pulse width modulation (PWM) duty cycle control and up to 300 mA discharge current for each cell. Other features include an on-board 5 V regulator, up to 10 general-purpose inputs/outputs, and a sleep mode, where current consumption is reduced to 4 μA .

For more information on the ADBMS6830, contact BMS_Doc_Request@analog.com.

Rev. SpC

DOCUMENT FEEDBACK

TECHNICAL SUPPORT

Information furnished by Analog Devices is believed to be accurate and reliable "as is". However, no responsibility is assumed by Analog Devices for its use, nor for any infringements of patents or other rights of third parties that may result from its use. Specifications subject to change without notice. No license is granted by implication or otherwise under any patent or patent rights of Analog Devices. Trademarks and registered trademarks are the property of their respective owners.

NOTES