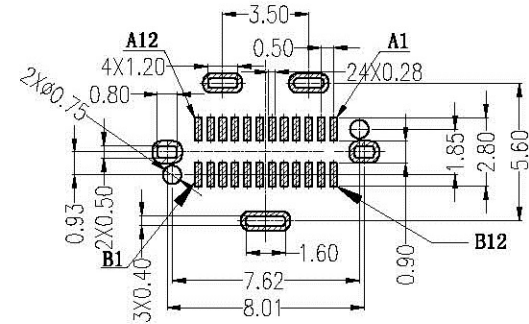
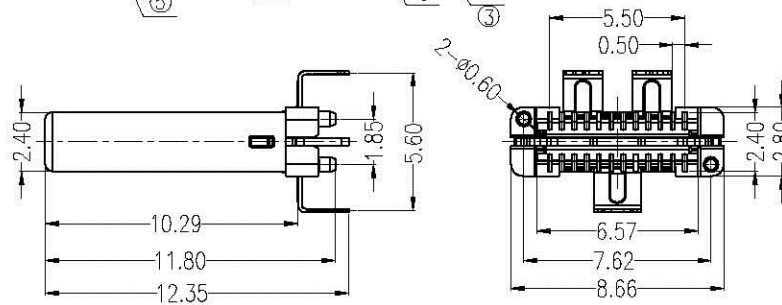
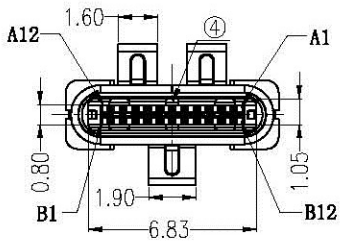
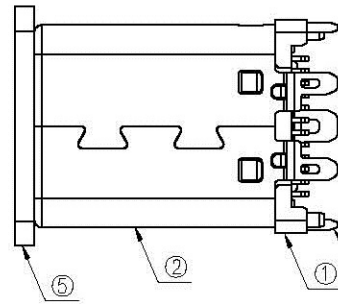
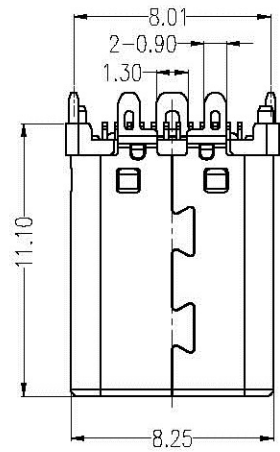


CUSTOMER DRAW

RoHS

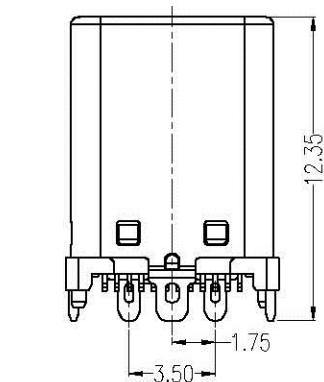


RECOMMENDED PCB LAYOUT($t=0.80\pm0.05$)
COMPONENT SIDE(GENERAL TOLERANCE: ±0.05)

NOTES:

SPECIFICATION:

1. CURRENT RATING: 3.0A MAX
2. VOLTAGE: 100 VAC
3. TEMPERATURE RANGE: $-30\text{ }^{\circ}\text{C} \sim 85\text{ }^{\circ}\text{C}$
4. CONTACT RESISTANCE: 40 MILLIONHM MAX
5. INSULATION RESISTANCE: 100 MEGOHMS MIN.
6. INSERTION FORCE : 5N~20N
7. UNMATING FORCE: 8N~20N
8. DURABILITY: 10,000 CYCLES



5	COVER	HIGH TEMPERATURE PLASTIC	LCP BLACK	1PCS
4	SPRING	STAINLESS STEEL	---	2PCS
3	LATCH	STAINLESS STEEL	TIN: 60-120u"Min/Ni base: 50u"Min Plated	1PCS
2	SHELL	STAINLESS STEEL	Ni: 50u"Min Plated	1PCS
1	TERMINAL HOUSING	HIGH TEMPERATURE PLASTIC	LCP BLACK/CONTACT: Au: 3u"Min Ni base: 50u"Min	2PCS
NO.	DESCRIPTION	MATERIAL	REMARKS	QTY

A1	GND	B12	GND
A2	SSTXP1	B11	SSRXP1
A3	SSTXN1	B10	SSRXN1
A4	VBUS	B9	VBUS
A5	CC1	B8	SBU2
A6	DP1	B7	DN2
A7	DN1	B6	DP2
A8	SBU1	B5	CC2
A9	VBUS	B4	VBUS
A10	SSRXN2	B3	SSTXN2
A11	SSRXP2	B2	SSTXP2
A12	GND	B1	GND
PIN	SIGNAL NAME	PIN	SIGNAL NAME



深圳市连欣科技有限公司

DESCRIPTION		USB C M TYPE 直立 式 外壳3支脚 H11.1				
DRAWING NO		170817-003	PART NO.		XUBM-0339-A03	
THIRD ANGLE PROJECTION	REVISION	A	UNIT	MM	DRAWN	CHARLES
	L INEAR	X ±0.50	ANGLE	X ±5°	SCALE	N/A
	X.X ±0.38	X.X ±2°	SHEET	1/1	APPROVED	
X.XX ±0.25	X.XX ±1°					