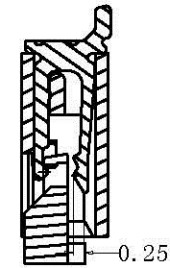
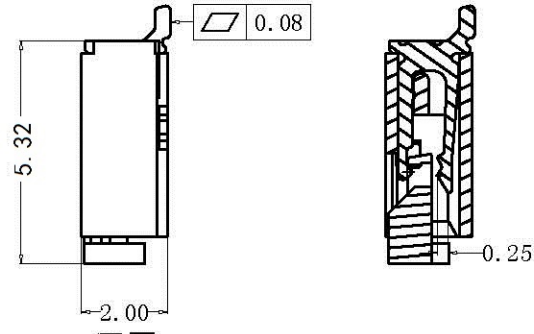
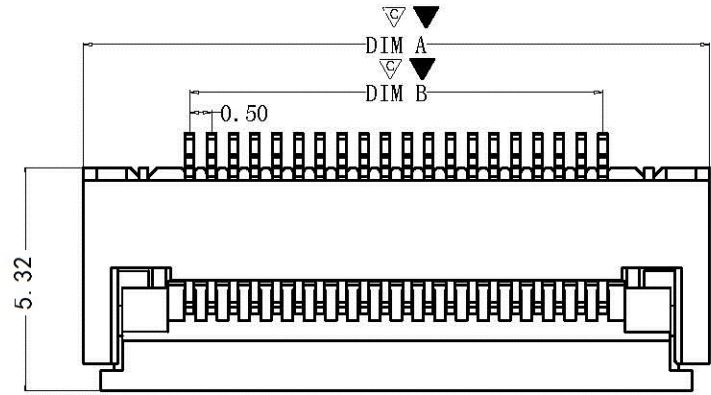


REV.	DESCRIPTION	APPD	DATE

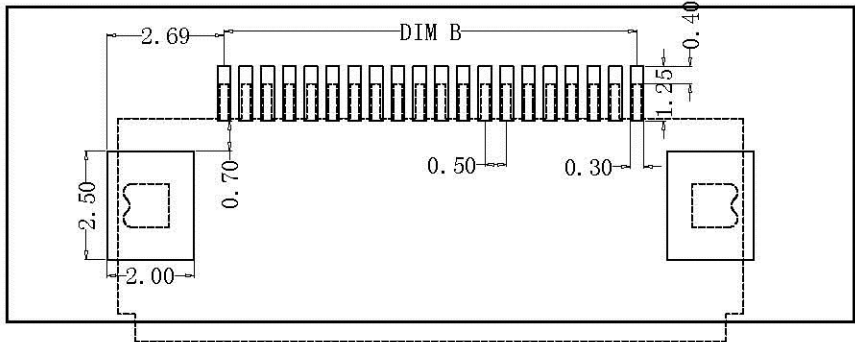
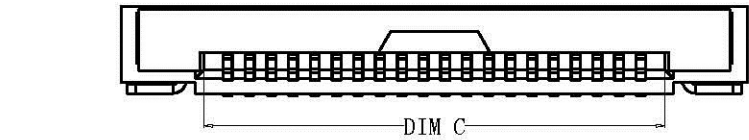
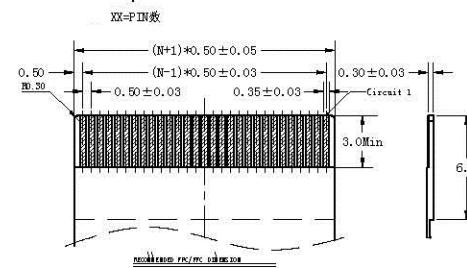


NOTES:
 1.MATERIAL:
 HOUSING: HIGH TEMPERATURE THERMOPLASTIC UL94V_0,COLOR:BLACK.
 CONTACT: COPPER ALLOYS.
 2.PLATING:
 UNDERPLATE: NICKEL.
 CONTACT AREA: TIN OVER NICKEL.
 3.MULTIMEDIA CARD COMPATIBLE.

PIN NO.	DIM. A	DIM. B	DIM. C
28	18.40	13.50	14.57
29	18.90	14.00	15.07
30	19.40	14.50	15.57
31	19.90	15.00	16.07
32	20.40	15.50	16.57
33	20.90	16.00	17.07
34	21.40	16.50	17.57
35	21.90	17.00	18.07
36	22.40	17.50	18.57
37	22.90	18.00	19.07
38	23.40	18.50	19.57
39	23.90	19.00	20.07
40	24.40	19.50	20.57
41	24.90	20.00	21.07
42	25.40	20.50	21.57
43	25.90	21.00	22.07
44	26.40	21.50	22.57
45	26.90	22.00	23.07
46	27.40	22.50	23.57
47	27.90	23.00	24.07
48	28.40	23.50	24.57
49	28.90	24.00	25.07
50	29.40	24.50	25.57
51	29.90	25.00	26.07
52	30.40	25.50	26.57
53	30.90	26.00	27.07
54	31.40	26.50	27.57
55	31.90	27.00	28.07
56	32.40	27.50	28.57
57	32.90	28.00	29.07
58	33.40	28.50	29.57
59	33.90	29.00	30.07
60	34.40	29.50	30.57

PIN NO.	DIM. A	DIM. B	DIM. C
04	6.40	1.50	2.57
05	6.90	2.00	3.07
06	7.40	2.50	3.57
07	7.90	3.00	4.07
08	8.40	3.50	4.57
09	8.90	4.00	5.07
10	9.40	4.50	5.57
11	9.90	5.00	6.07
12	10.40	5.50	6.57
13	10.90	6.00	7.07
14	11.40	6.50	7.57
15	11.90	7.00	8.07
16	12.40	7.50	8.57
17	12.90	8.00	9.07
18	13.40	8.50	9.57
19	13.90	9.00	10.07
20	14.40	9.50	10.57
21	14.90	10.00	11.07
22	15.40	10.50	11.57
23	15.90	11.00	12.07
24	16.40	11.50	12.57
25	16.90	12.00	13.07
26	17.40	12.50	13.57
27	17.90	13.00	14.07

订购需知:
 XDFC-0520-xxP



DWG NO: LXFPC-052001	MATERIAL:
LOT NO:	FINISH:
UNIT: MM	SIZE: A4
TOLERANCES: X.X=±0.35 X.XX=±0.25 X.XXX=±0.15	GENERAL ANGLE: X.X=±3.0° X.XX=±2.0°
DR: 杨凯 2011/03/31	CHK:
APP:	

深圳市连欣科技有限公司
 Shenzhen City Lianxin Technology Co., Ltd

TITLE:
 FPC 0.5PH 2.0H 翻盖式

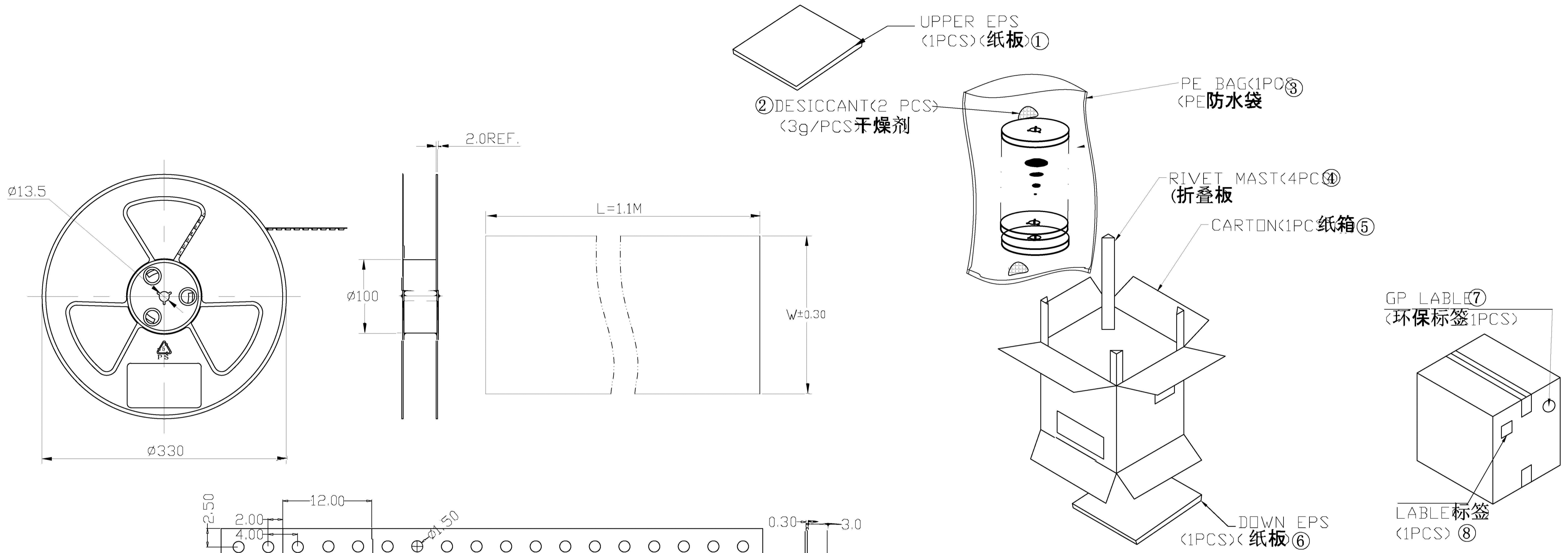
PART NO: XDFC-0520-xxP

SCALE: 1:1

SHEET: 1 OF 1


REV: C/O

REV.	DESCRIPTION	APPD	DATE



1. 材质要求:
- 1.1 纸箱的材质要求为A; 外形尺寸为350*350*340CM;
 - 1.2 卷盘的材质为PVC;
2. 包装要求:
- 1 将卷带放入包装机后, 前空5PCS, 后放产品2000PCS, 再后空5PCS; 上带留200MM长度。
 - 2 将包装好的产品从包装机上取下用外带包装好, 盘上贴好标签 将盘装产品放入PE袋内, 放干燥剂, 叠好口部。
 - 3 箱底放入纸板, 把装好PE袋的产品放入箱中, 四角用折叠板塞好, 顶部再放一块纸板
 - 4 封箱, 并在纸箱外贴上标签产品标签, 环保标签。
- 备注:
1. 若有未装满之零数, 必须用泡棉塞满。
 2. 针对于包装方式可根据客户要求包装。

PIN NO.	W	A	B	A0	B0	PCS /REEL	REEL/CARTON	SUM (PCS)
4PIN~8PIN	16	7.5	—	6.4+ (n-4)*0.5	5.5	2000	15	60000
9PIN~24PIN	24	11.5	—		5.5	2000	10	40000
25PIN~36PIN	32	14.2	28.4	(n=pin no)	5.5	2000	8	32000
37PIN~55PIN	44	20.2	40.4		5.5	2000	6	24000
56PIN~60PIN	56	26.2	52.4		5.5	2000	5	20000

DWG NO:		MATERIAL:		 深圳市连欣科技有限公司 Shenzhen City Lianxin Technology Co. LTD
LOT NO:		FINISH:		
UNIT: MM	SIZE: A4	COLOR:		
TOLERANCES: X.X±0.35 X.XX±0.25 X.XXX±0.15		GENERAL ANGLE: X.X±3.0° X.XX±2.0°		TITLE: FPC 0.5PH H2.0 前翻
DR:		CHK:		PART NO:
APP:		SCALE: 1:1		REV: C/0
		SHEET: 1 OF 1		