

REV.	ECR/NO./DESCRIPTION	DATE	DRAWN	CHECKED	APPROVE
1	SN14040	05/06'14	Jinjin.Tu	Vito	Barney

NOTES:

- MATERIAL SPECIFICATION:
  - HOUSING: LCP+40%GF, UL94V-0, COLOR: BLACK.
  - CONTACT: COPPER ALLOY.
  - SMT TAB: S50C.
- PLATING SPECIFICATION:
  - CONTACT:
    - 50u" MIN. NICKEL UNDER PLATING OVER ALL. G/F PLATING ON SOLDER AREA. GOLD PLATING ON CONTACT AREA: SEE TABLE
  - SMT TAB:
    - 50u" MIN. NICKEL UNDER PLATING OVER ALL. 80u" MIN. MATTE TIN PLATING ON SOLDER AREA.
- HF COMPLIANT, ROHS COMPLIANT.
- DATE CODE: XXXXXX
  - DAY
  - WEEK
  - YEAR
- MECHANICAL PERFORMANCE:
  - DURABILITY: SEE TABLE
- ELECTRICAL PERFORMANCE:
  - CURRENT: 0.5A PER PIN.
  - LLCR: INITIAL 55mΩ MAX.; FINAL ΔLLCR=20mΩ MAX..
- IR REFLOW:
 

THE TEMPERATURE SHALL BE 260±5°C MAINTAINING 10±1 SECONDS.
- PRODUCT NUMBER NOTE
 

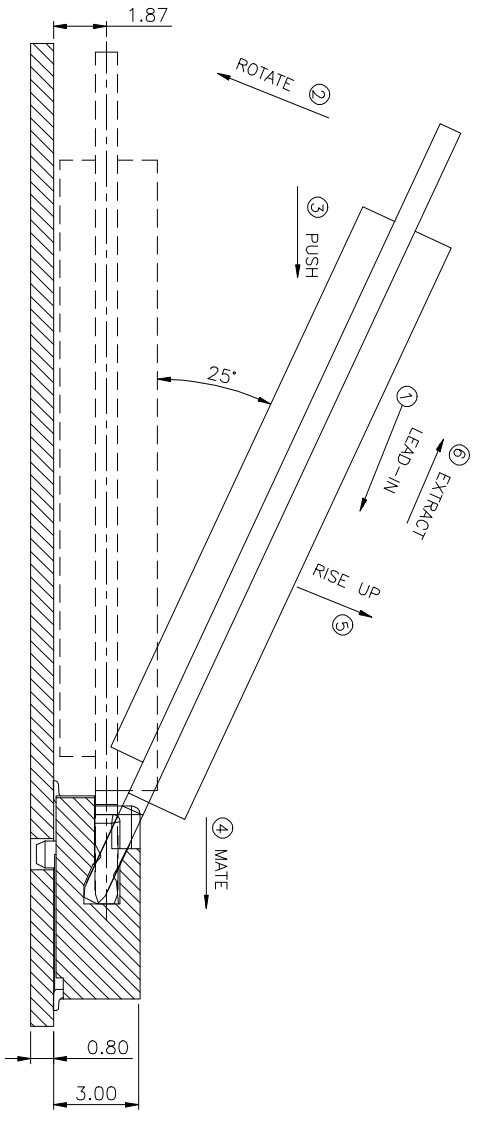
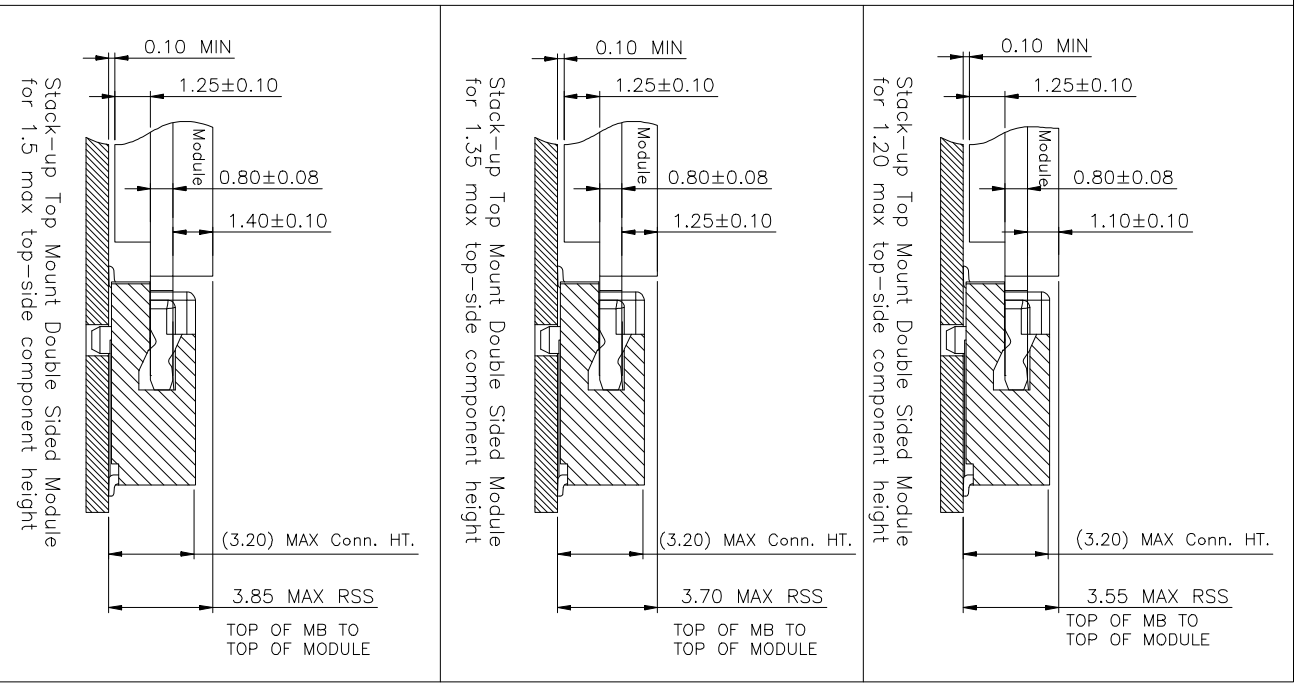
APCI0085-XXXXX

  - A: PRODUCT TYPE
  - P: PRODUCT SERIAL NUMBER
  - C: K: ROHS COMPLIANT/P: HF COMPLIANT
  - I: TYPE SERIAL NUMBER
  - X: PRODUCT TYPE
  - X: FINISHED PRODUCT

PART NO.	CONTACT PLATING	DURABILITY
APCI0085-P004A	30u" MIN. GOLD	60 CYCLES.
APCI0085-P005A	1~3u" MIN. GOLD	25 CYCLES.
APCI0085-P006A	10u" MIN. GOLD	25 CYCLES.
APCI0085-P007A	15u" MIN. GOLD	25 CYCLES.
APCI0085-P009A	5u" MIN. GOLD	25 CYCLES.

GENERAL TOLERANCES UNLESS SPECIFIED		PART NO.	SEE TABLE			
X ± 0.35	X° ± 3°	APPROVED BY			TITLE	
.XX ± 0.25	.X° ± 2°	Barney 10/10'13	0.5Pitch 67pin M.2 H3.2(KEY E)			
.XXX ± 0.15	.XX° ± 1°	CHECKED BY	DWG NO.			
CUSTOMER DRAWING		Vito 10/10'13	AP-APCI0085-B			
SIZE	UNITS	DRAWN BY		SHEET	SCALE	REV
A4	MM [INCH]	Jinjin.Tu 10/10'13		1 / 4	4 : 1	1

Assembly stack height schematic diagram

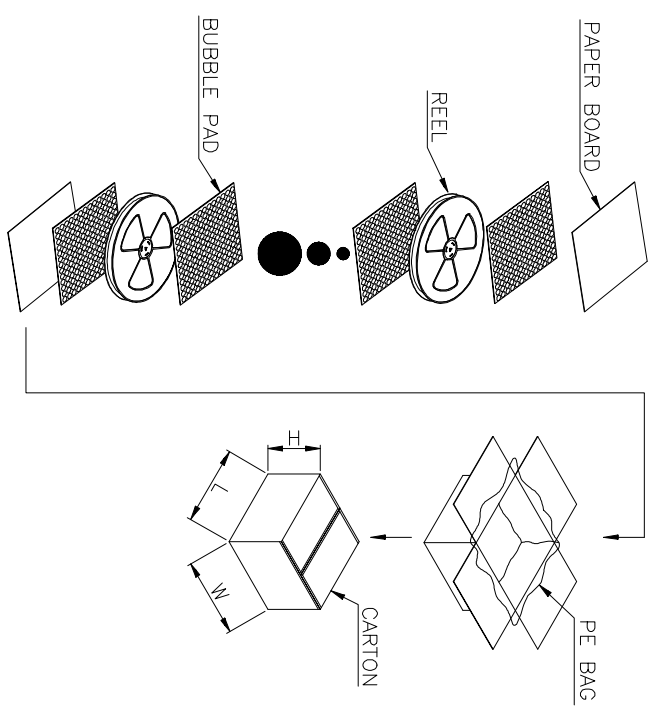
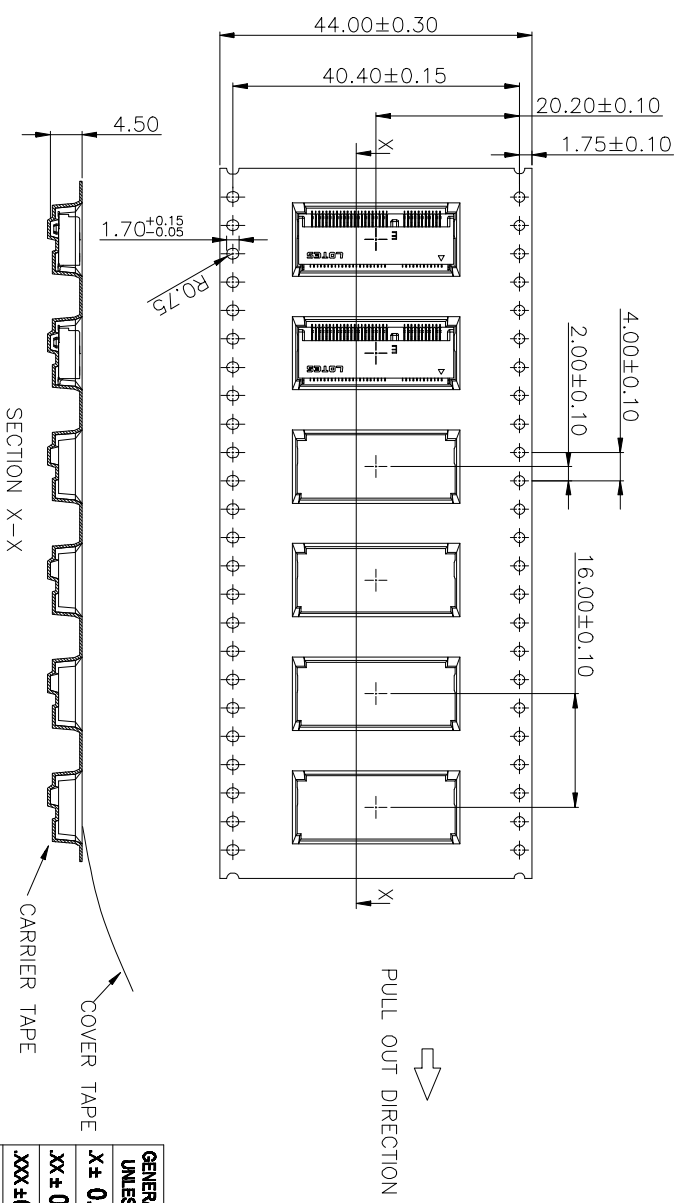
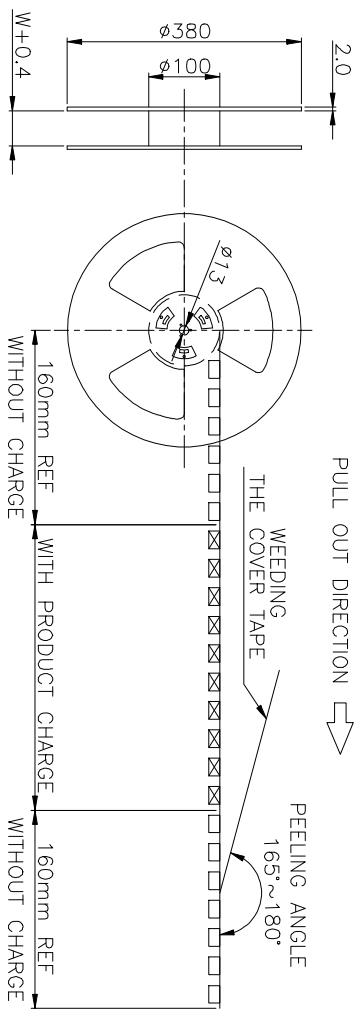


HOW TO MATE AND EXTRACT  
 MATE: ① → ④  
 EXTRACT: ⑤ → ⑥

NOTE: Mating force will generate from step 3 to step 4.

GENERAL TOLERANCES UNLESS SPECIFIED		PART NO. SEE TABLE		<p>连欣科技 Lian Xin Technology</p>
X ± 0.35	X ± 3°			
XX ± 0.25	X ± 2°	APPROVED BY Barney 10/10'13		TITLE 0.5Pitch 67pin M.2 H3.2(KEY E)
XXX ± 0.15	.XX ± 1°	CHECKED BY Vito 10/10'13		DWG NO. AP-APC10085-B
CUSTOMER DRAWING		DRAWN BY Jinjin.Tu 10/10'13		
SIZE A4	UNITS MM [INCH]			SHEET 2 / 4
				SCALE 4 : 1
				REV 1





1200	7200
PCS/REEL	PCS/CARTON



GENERAL TOLERANCES UNLESS SPECIFIED	PART NO. SEE TABLE		TITLE
X± 0.35	X± 3°	APPROVED BY	0.5Pitch 67pin M.2 H3 2(KEY E)
XX± 0.25	X± 2°	Barney	
XXX± 0.15	XX± 1°	10/10/13	

CUSTOMER DRAWING	CHECKED BY	DWG NO.	AP-APC10085-B
SIZE	Vito	10/10/13	
UNITS	DRAWN BY		
A4	Jinjin.Tu	10/10/13	

	SHEET	SCALE	REV
	4 / 4	1 : 1	1