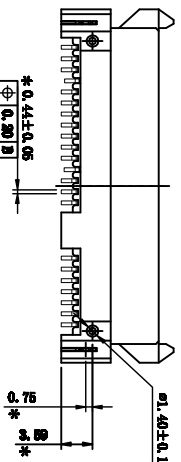
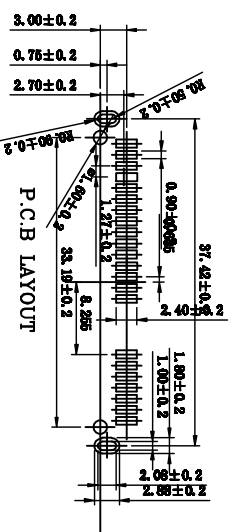
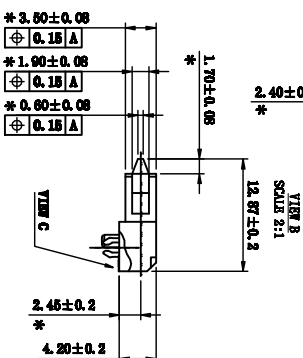
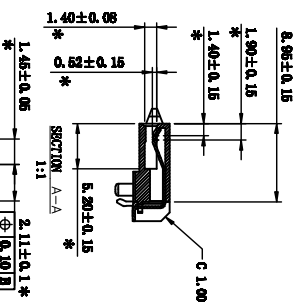
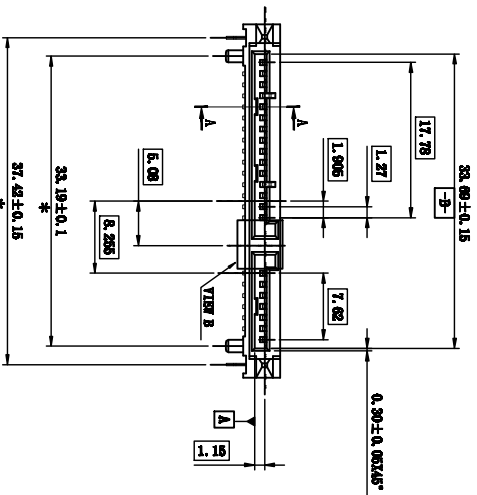
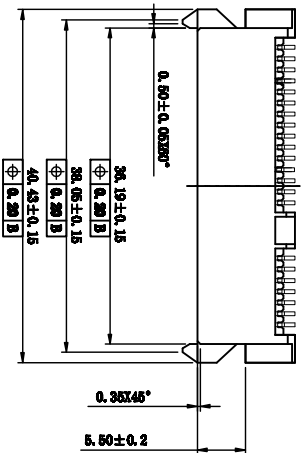


客戶版

REV.	ECN NO.	DESCRIPTION	DRAW	CHECK	APPD.	DATE
A0	N/A	NEW	JENSHEN	Y	JASIN	2014.10.20

SPECIFICATIONS:
 Contact current Rating:
 1.5 Amperes
 Dielectric Withstanding Voltage: AC 150V(RMS)
 Insulation resistance: 1000Megaohms Minimum.
 Contact Resistance:
 30mΩ Max
 50mΩMax for other contacts
 Mechanical Characteristics:
 Mating Force: 35 Newtons. Maximum
 Unmating Force: 10 Newtons. Minimum.



NO.	DESCRIPTION	QTY	MATERIAL
1	HOUSING	1	LCP +30%G.F. BLACK U94V-0
2	FORK	2	C2601R-H T=0.25 Contact Plating Au,Solder Area Matte Sn
2	CONTACT1	15	C5191R-H T=0.25 Contact Plating Au,Solder Area Matte Sn

QUALITY SYMBOLS		GENERAL TOLERANCES (UNLESS SPECIFIED)		DRAWN BY DATE		TITLE:	
▽ _{0.4}	▲ _{0.4}	MM	INCH	DRIFT	WHERE	APP	SATA 7+15P F 板上 RA. 2 SURT
X	±0.35	.X	±	DRAFT	WHERE	APP	THIRD ANGLE PROJECTION
XX	±0.25	.XX	±	LICABLE	MUST	REMAIN	CUSTOMER COPY
XXX	±0.15	.XXX	±	MUST	REMAIN		DWG NO.
				WITHIN	DIMENSIONS		PART NO. XJTB-2205-0429
							DWG NO.
							SHEET NO. 1/1

深圳市连欣科技有限公司

8 7 6 5 4 3 2 1