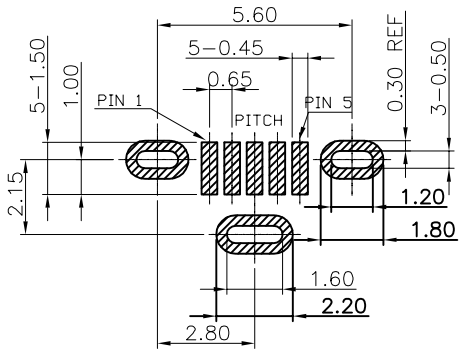
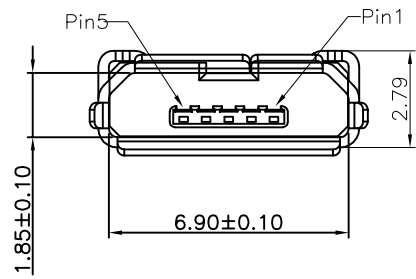
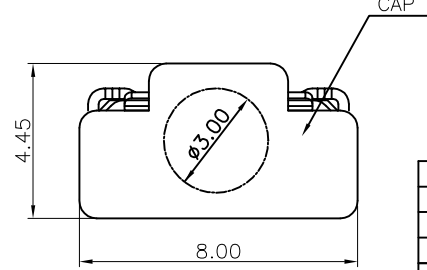
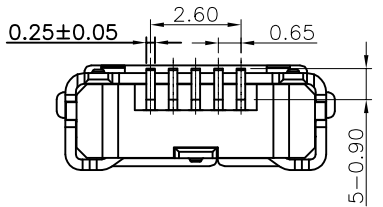
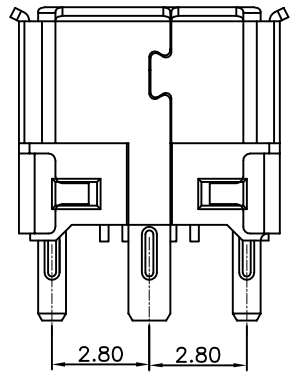
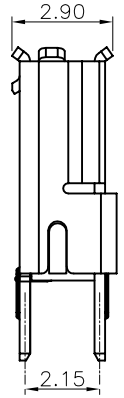
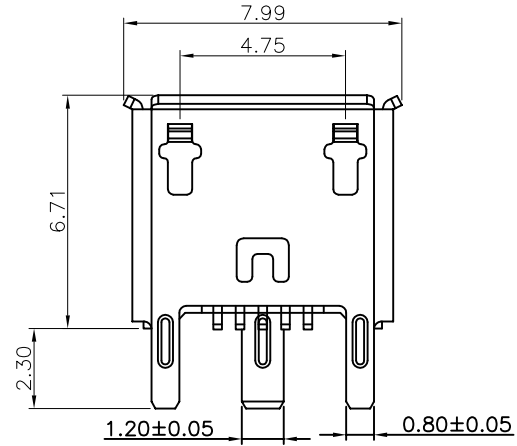


NO.	ECN NO.	DESCRIPTION	REV.	DRAW	DATE
1		NEW	A0	LZW	20210508
2					
3					



RECOMMEND PCB LAYOUT(THICKNESS=1.6mm)  
TOLERANCE: ±0.05

- MATERIAL SPECIFICATION:
  - HOUSING: HIGH TEMPERATURE THERMOPLASTIC; UL94 V-0 LCP BLACK.
  - CONTACTS: PHOSPHOR BRONZE C5191 T=0.20mm.
  - SHELL: SUS201 T=0.25mm.
- PLATING SPECIFICATION:
  - CONTACTS: Ni 50u" MIN. UNDER PLATED OVERALL. Au(SEE PART NOTE)MIN PLATED ON THE FUNCTIONAL AREA OF CONTACT AND SOLDER AREA.
  - SHELL: Ni 30u" MIN. PLATED OVERALL.
- MECHANICAL PERFORMANCE,
  - INSERTION FORCE: 3.5kgf MAX
  - REMOVAL FORCE: 1.0kgf MIN
  - DURABILITY: 10000 CYCLES.REMOVAL FORCE 0.8kgf MIN
- ELECTRICAL PERFORMANCE,
  - INSULATION RESISTANCE: 100MΩ MIN
  - DIELECTRIC WITHSTAND VOLTAGE,AC 100V FOR 1 MINUTE.
  - LOW LEVEL CONTACT RESISTANCE 30mΩ Max.
  - CURRENT RATING: PIN1/PIN5: 1.8A, OTHER PINS 0.5A. VOLTAGE RATING: 30V
- OPERATING TEMPERATURE: -40°TO+85°
- LINE WITH ROHS2.0, REACH, MEET THE HALOGEN-FREE
- IR REFLOW: THE PEAK TEMPERATURE ON THE BOARD SHALL BE MAINTAINED FOR 10 SECONDS AT 260±5°C.



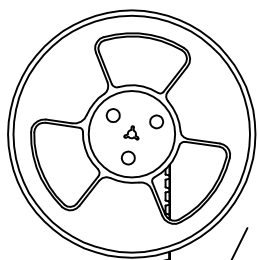
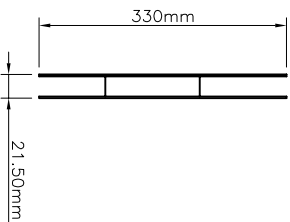
产品客户图 Customer Drw	
未注公差 TOLERANCE UNLESS OTHERWISE SPECIFIED	X ±0.45 X ±0.35 XX ±0.25 X* ±1°
比例 SCALE	1:1
角法 PROJ.	设计 DESIGN
张数 SHEET	1/1
大小 SIZE	A4
版本 REV.	A0

深圳市连欣科技有限公司

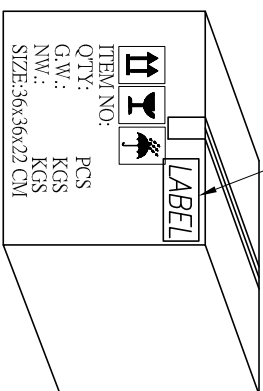
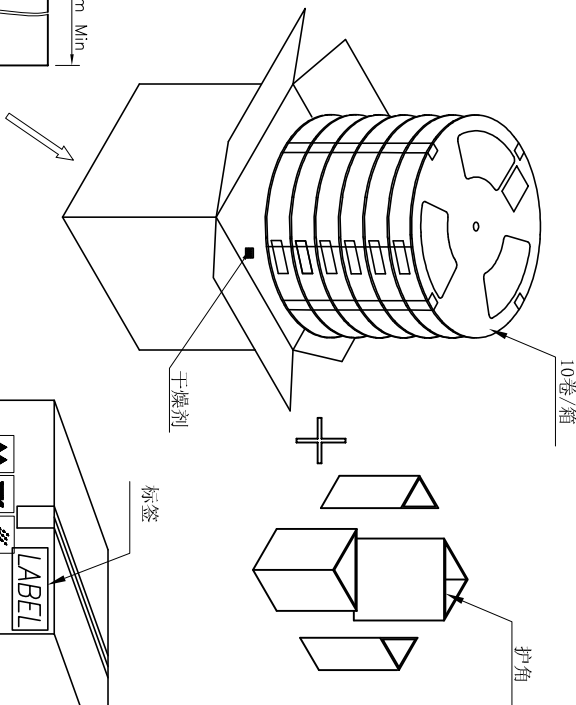
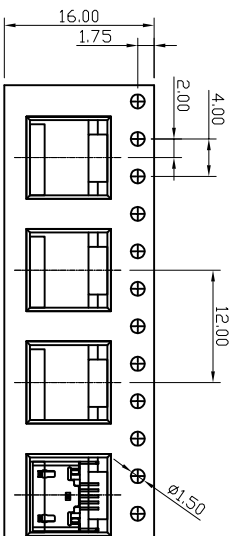
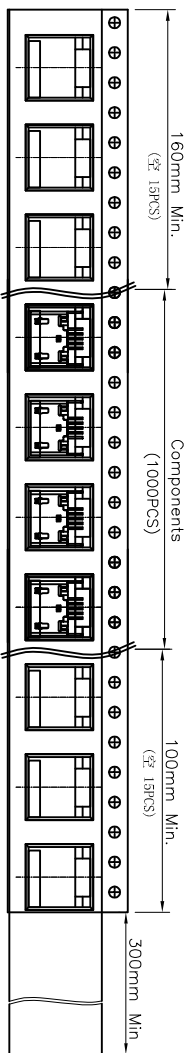
PIN 5	GND
PIN 4	ID
PIN 3	D+
PIN 2	D-
PIN 1	VBUS
Contact Number	Signal Name

品名 TITLE	USB-MICRO 5PIN 立贴 三定位脚
料号 ITEM NO.	XUDF-0418-023
图号 DWG NO.	LX-USB-023

COVER TAPE  
 PEELING ANGLE:165#180°  
 PEELING FORCE:20~130g



NO.	EQN NO.	DESCRIPTION	REV.	DRAW	DATE
1					
2					
3					



纸箱规格:360x360x220mm

CONNECTOR QTY(PCS)	REEL	CARTON
1000		10000

深圳市连欣科技有限公司

产品包装图 Packaging Draw		公差 TOLERANCE		比例 SCALE		张数 SHEET		单位 UNIT	
UNLESS OTHERWISE SPECIFIED	X	±0.45	1:1	1/1	mm	XX	mm	REV.	UNIT
	X	±0.35	角法 PROL.	大小 SIZE	版本 REV.	X°	A0		
	XX	±0.25	设计 DESIGN	核对 CHECKED	核准 APPROVED	±3°	A4		
			图号 DWG NO.	料号 ITEM NO.	图号 DWG NO.				
				XUDF-0418-023					LX-USB-023