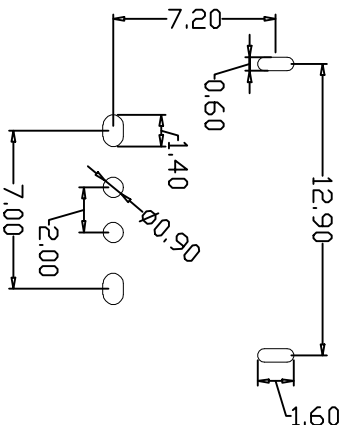
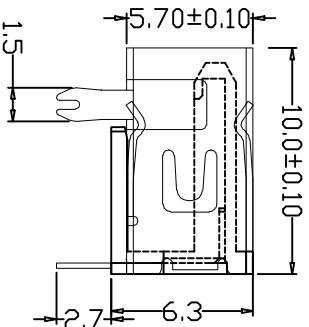
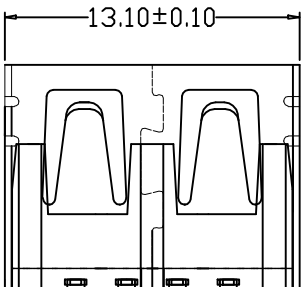
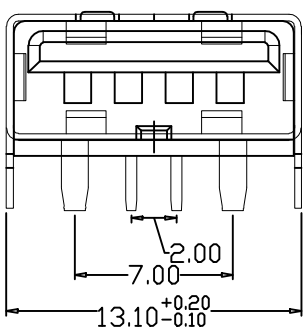
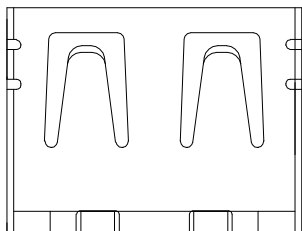


RoHS Compliant



规格说明: Specifications:
电气特性: Electrical:

- 额定电流: Current Rating
5A contact terminal
- 额定电压: Voltage Rating
30V DC
- 接触电阻: Contact Resistance
30 milliohms MAX
- 耐压: Dielectric Withstanding Voltage:
500 V AC AT Sea Level
- 绝缘电阻: Insulation Resistance:
1000MEGA ohms MIN

物理性能: Mechanical:

- 插拔力: Connector Mate and Unmate Force
Mate force: 3.57kgf(MAX)
Unmate force: 1.02kgf(MIN)
- 端子保持力: Terminal Retention
1.0kgf(MIN)

原材料: Material:

- 塑胶: Housing:
Hing Temperature Thermoplastics,
 - 端子: Contact: Copper Alloy C5191/7025
 - 外壳: Shell: Copper Alloy C2680/SPCC
- 电镀: Finish:
1. 端子: Contact: Plated Gold in Mating Area;
Tin On Solder Tolls

2. 外壳: Shell:

铜壳四周镀80U"(MIN) Nickel Plating

深圳市连欣科技有限公司

品名 (ITEM NO)	USB A/F 90度 短体A3 前开脚 插板 平口 4P大电流	图号 (DWG NO)		单位 (UNITY):	MM
料号 (PART NO)	XUBR-1063D-0311	版本 (REV)	A/0	比例 (SCALE):	1:1
型号 (MODEL NO)	N/A	日期 (DATE)	2015.06.09	设计 (DESIGN)	
		审核 (CHECKED)	~	未注公差	±0.30 ±0.20 ±0.10 ±0.05
		核准 (APPROVED)		公差 (TOLERANCE)	±0.30 ±0.20 ±0.10 ±0.05