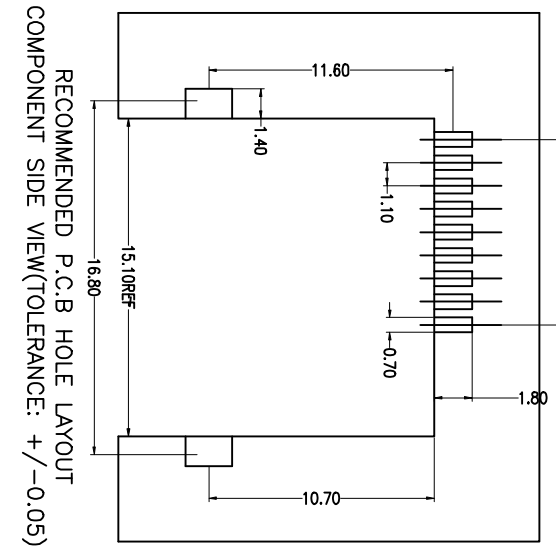
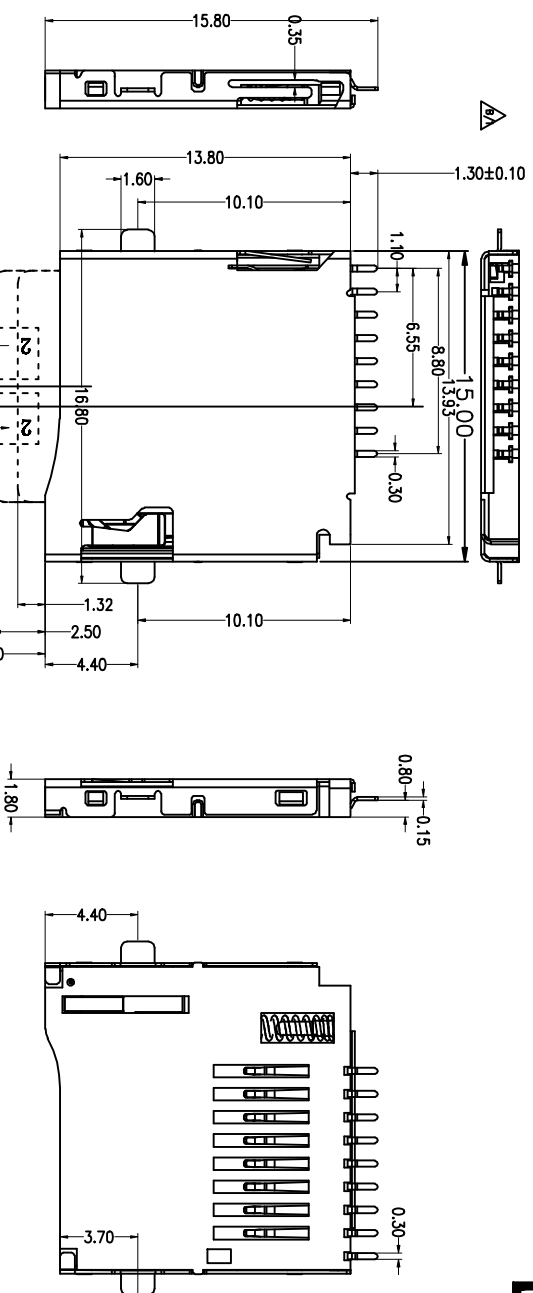
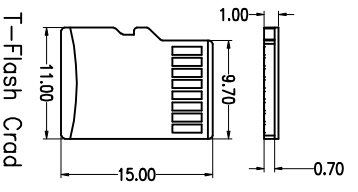


REV.	DESCRIPTION	APPD	DATE
△/A	增加管脚尺寸: 3.0±0.10	伍 胤	2013-11-11



RECOMMENDED P.C.B HOLE LAYOUT  
COMPONENT SIDE VIEW(TOLERANCE: +/-0.05)



T-Flash Crad

PIN NO.	NAME	TYPE	DESCRIPTION
1	DATA2	I/O/PP	DATE LINE(BIT2)
2	CD/DAT3	I/O/PP	CARD DETECT DATE LIN(BIT3)
3	CMD	PP	COMMAND RESPONSE
4	VDD	S	SUPPLY VOLTAGE
5	CLX	I	CLOCK
6	VSS	S	SUPPLY VOLTAGE GROUND
7	DATO	I/O/PP	DATE LINE(BIT0)
8	DAT1	I/O/PP	DATE LINE(BIT1)

- NOTES:
- 1.MATERIAL:  
HOUSING: HIGH TEMPERATURE THERMOPLASTIC  
UL194V,0.COLOR:BLACK.
  - 2.PLATING:  
CONTACT: COPPER ALLOYS,  
COVER: COPPER ALLOYS OR STEEL.  
UNDERPLATE: NICKEL,  
CONTACT AREA: GOLD OVER NICKEL,  
SOLDER AREA: TIN OVER NICKEL.
  - 3.MULTIMEDIA CARD COMPATIBLE

DWG NO: FP-09101200		MATERIAL:	
LOT NO:		FINSH:	
UNIT: MM	SIZE: A4	COLOR:	
TOLERANCES:		GENERAL	
X.X=±0.35	ANGLE: X.X=±13.0°	DR: 杨 凯 01213	TITLE: T-FLASH 沉板 0.8mm CRAD CONN
X.XXX=±0.15	X.XX=±2.0°	CHK: XDFP-0915-0108	PART NO: XDFP-0915-0108
APP:	SCALE: 1:1	SHEET: 1 OF 1	REV: C/0

深圳市连欣科技有限公司